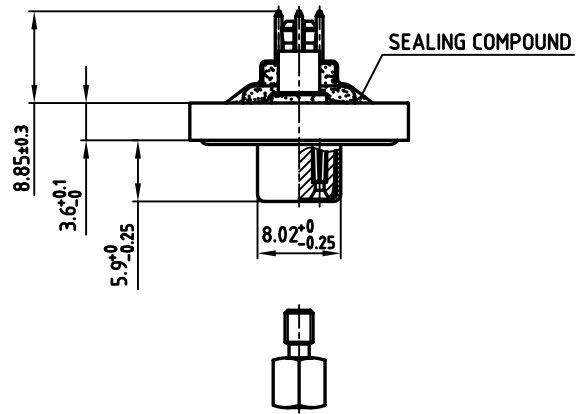
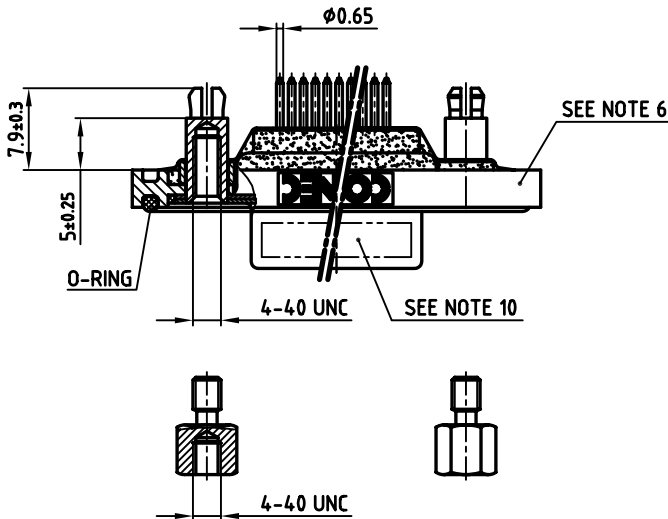
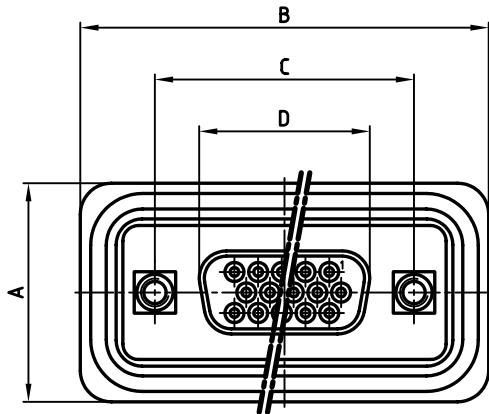


used for: D-SUB HD

AT ALL TIMES WATER RESISTANT CONNECTORS NOT IN USE SHOULD BE COVERED WITH A CONEC WATER RESISTANT CAP OR WATER TIGHT HOOD.

No. of pos.	A ^{+0.2}	B ^{+0.2}	C	D ^{-0.25}	Part-No.
15	21.1	39.4	25.00 ^{+0.12} _{-0.13}	16.46	6HDD15SCR99E20X
26	21.1	47.7	33.30 ^{+0.15} _{-0.1}	24.79	6HDD26SCR99E20X
44	21.1	61.4	47.04 ^{±0.13}	38.50	6HDD44SCR99E20X
62	21.1	77.9	63.50 ^{±0.13}	54.96	6HDD62SCR99E20X



NOTES:

- METALSHELLS: COPPER ALLOY; min. 315µin TIN over 40-80pin NICKEL
- INSULATORS: PBT GF UL 94 V-0, BLACK
- CONTACTS: COPPER ALLOY
PLATING MATING AREA: 30µin HARD GOLD OVER min. 50µin NICKEL
- THREADED SPACER CLIP: COPPER ALLOY; min. 200µin TIN over 80µin NICKEL
PCB-HOLE: $\phi 3.1 \pm 0.1$; PCB THICKNESS 1.6mm
- COLLAR: COPPER ALLOY; min. 200µin TIN over 80µin NICKEL
- FRAME: ZINC DIE CAST ; NICKEL PLATED
- HEXLOCKING SCREW: STAINLESS STEEL
- P.C.B. HOLE DRILLINGS ON SHEET 2
- RECOMMENDED TORQUE FOR MOUNTING SCREW 35N cm (3.1 in.LB) / max. 40N cm (3.5 in.LB)
- CONNECTOR IS PART MARKED: PART-NO. CONEC ABC



APPROVAL # FREIGABE # DEBLOCAGE # AUTORIZACION # APPROVAL	
CUSTOMER APPROVAL DATE:	
NAME:	TITLE:
COMPANY NAME:	
APPROVAL # FREIGABE # DEBLOCAGE # AUTORIZACION # APPROVAL	

THIS DRAWING MAY NOT BE COPIED OR REPRODUCED IN ANY WAY, AND MAY NOT BE PASSED ON TO A THIRD PARTY WITHOUT WRITTEN PERMISSION. OWNERSHIP AND COPYRIGHT OF CONEC GmbH DO NOT ALTER CAD DRAWING BY HAND

tolerance		dim. in mm	scale: 2:1	
			material: SEE NOTES	
2006	date	name		
drawn	15.08.	Lehmenkühler		
appd.	15.08.	Mickenbecker		
norm	DIN 41652			
d-old				
a	Origin	CONEC®		
rev.	description	date	name	

title:		D-SUB HD FEMALE	
15-62pos. SOLDER PIN STRAIGHT		with threaded spacer clip	
dwg no:	AutoCAD 2006	DIN-A	3
18K2A448		sh:1/2	
part no:		SEE TABLE	

6

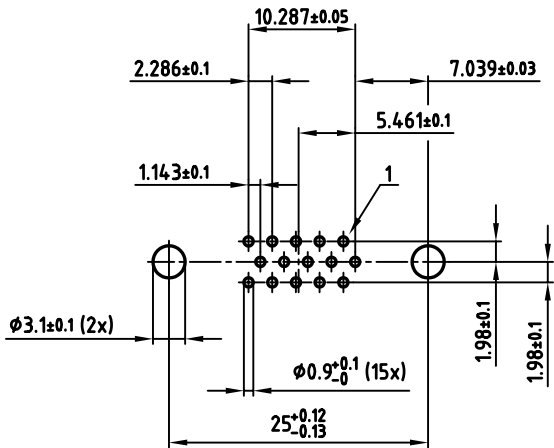
5

4

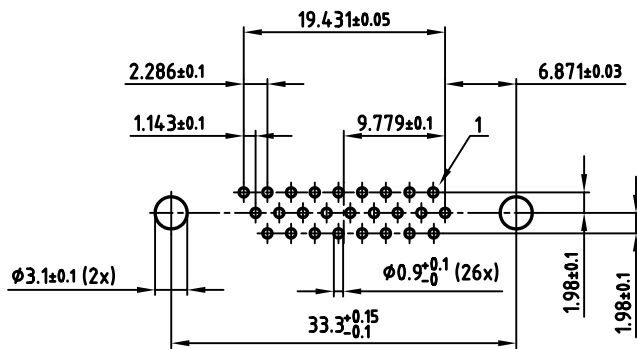
2

1

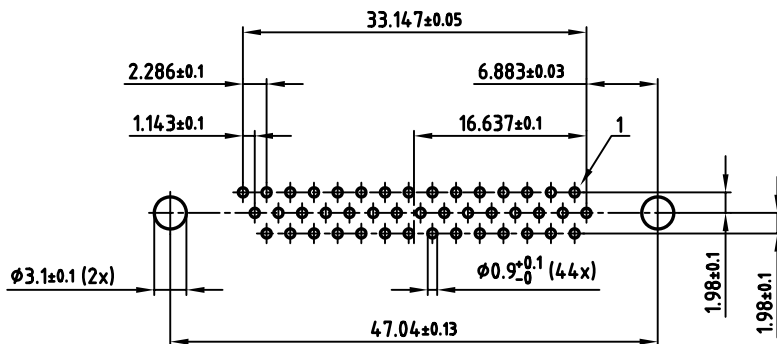
used for: D-SUB HD



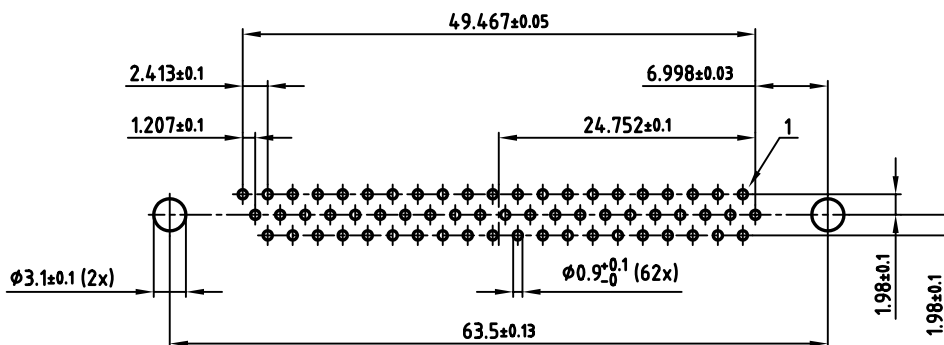
15 pos.



26 pos.



44pos.



62pos.

APPROVAL # FREIGABE # DEBLOCAGE # AUTORIZACION # APPROVAL

CUSTOMER APPROVAL DATE:

NAME: TITLE:

COMPANY NAME:

APPROVAL # FREIGABE # DEBLOCAGE # AUTORIZACION # APPROVAL

THIS DRAWING MAY NOT BE COPIED OR REPRODUCED IN ANY WAY, AND MAY NOT BE PASSED ON TO A THIRD PARTY WITHOUT WRITTEN PERMISSION. OWNERSHIP AND COPYRIGHT OF CONEC GmbH DO NOT ALTER CAD DRAWING BY HAND

tolerance		dim. in mm	
2006	date	name	
drawn	15.08.	Lehmenkühler	
appd.	15.08.	Mickenbecker	
norm	DIN 41652		
d-old			
a	Origin		
rev.	description	date	name

scale: 2:1

material: SEE SHEET 1

title: P.C.B. HOLE DRILLINGS

D-SUB HD FEMALE 15-62pos. SOLDER PIN with threaded spacer clip

dwg no: AutoCAD 2006

18K2A448

part no: SEE SHEET 1

DIN-A 3 sh:2/2

