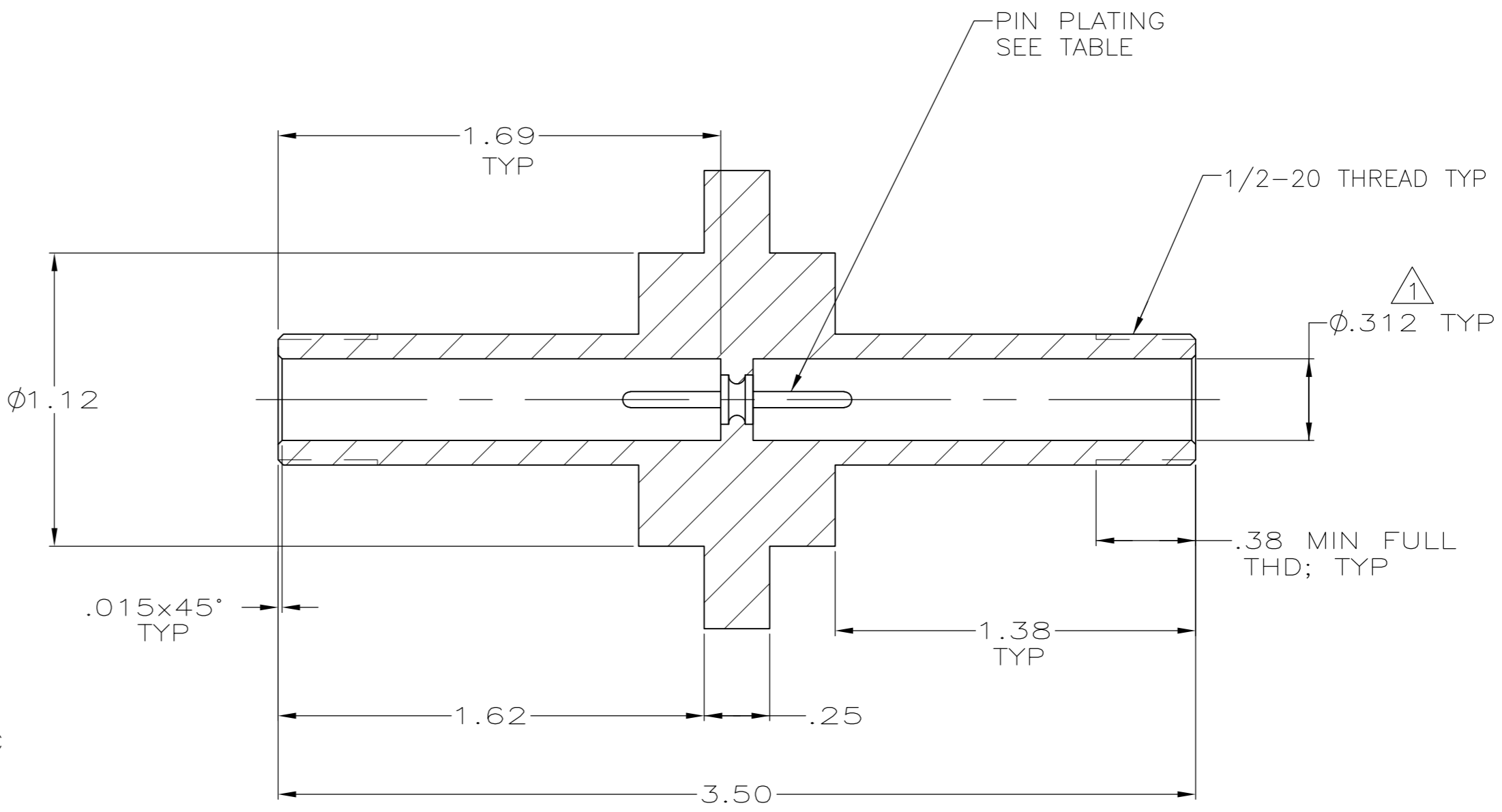
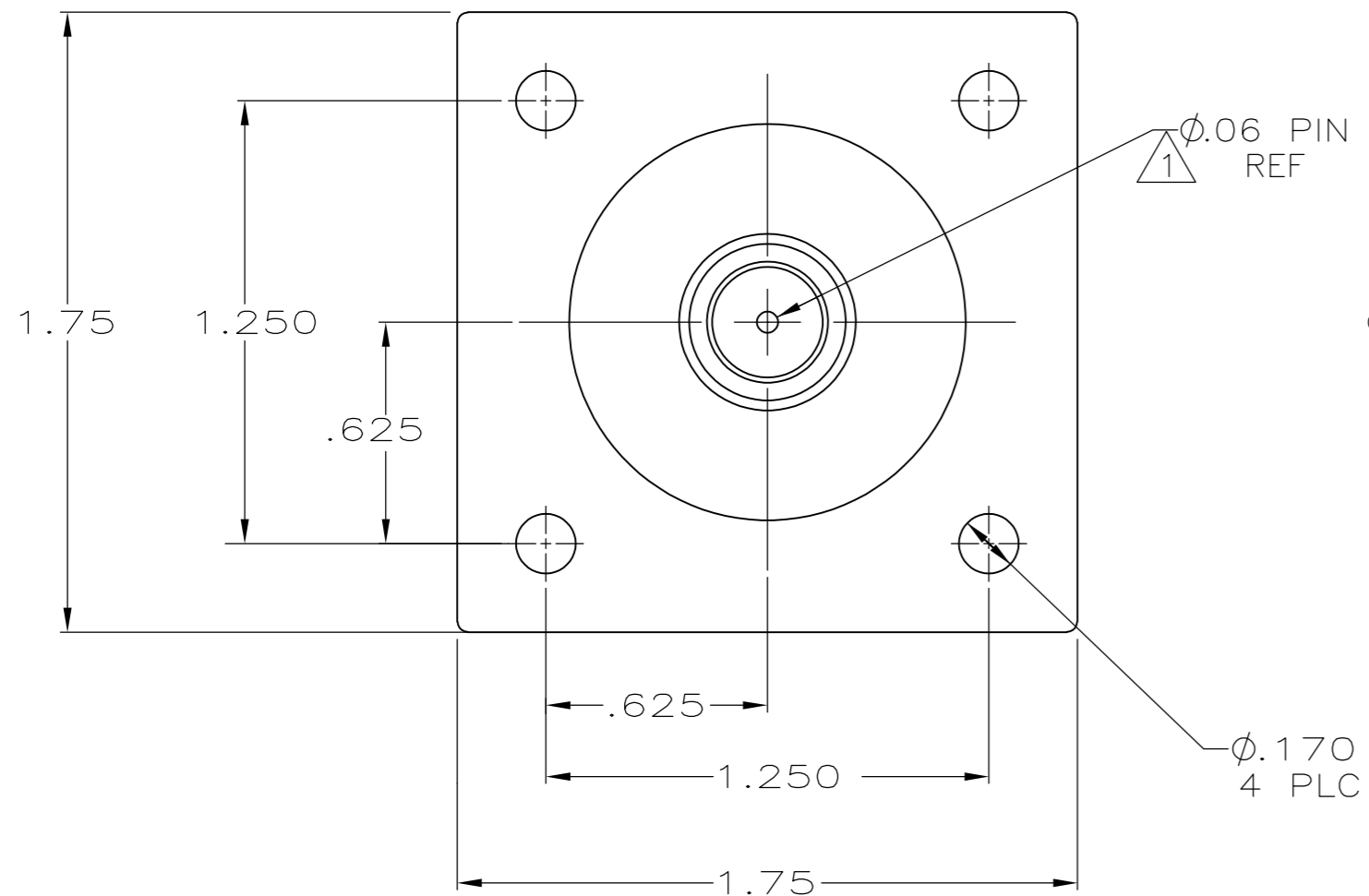


THIS DRAWING IS UNPUBLISHED. RELEASED FOR PUBLICATION
 © COPYRIGHT BY TYCO ELECTRONICS CORPORATION. ALL INTERNATIONAL RIGHTS RESERVED.

LOC	DIST	REVISIONS			
P	LTR	DESCRIPTION	DATE	DWN	APVD
DF	S0	F	REVISED PER ECO-10-025046	23DEC10	SK DE



- ① DIAMETERS TO BE CONCENTRIC WITHIN .015 T.I.R.
- 2. RECEPTACLE WILL MATE WITH AMP-1L LEAD ASSEMBLY. AVAILABLE SEPARATELY.

GOLD PLATED CENTER PIN	858873-2
TIN PLATED CENTER PIN	858873-1
PIN FINISH	PART NUMBER

THIS DRAWING IS A CONTROLLED DOCUMENT.		DWN C.C.THOMAS 2-11-03	Tyco Electronics Corporation Harrisburg, PA 17105-3608
DIMENSIONS: INCHES		CHK D.EABY 2-11-03	
		APVD D.EABY 2-11-03	NAME RECEPTACLE ASSY,FEED-THRU,LGH-1L
TOLERANCES UNLESS OTHERWISE SPECIFIED:		PRODUCT SPEC	SIZE A2
0 PLC ± - 1 PLC ± - 2 PLC ± .03 3 PLC ± .015 4 PLC ± - ANGLES ± -		APPLICATION SPEC	CAGE CODE 00779
MATERIAL MOLDED GLASS EPOXY	FINISH BLACK	WEIGHT -	DRAWING NO 858873
CUSTOMER DRAWING		SCALE 2:1	RESTRICTED TO -
		SHEET 1 of 1	REV F

858873