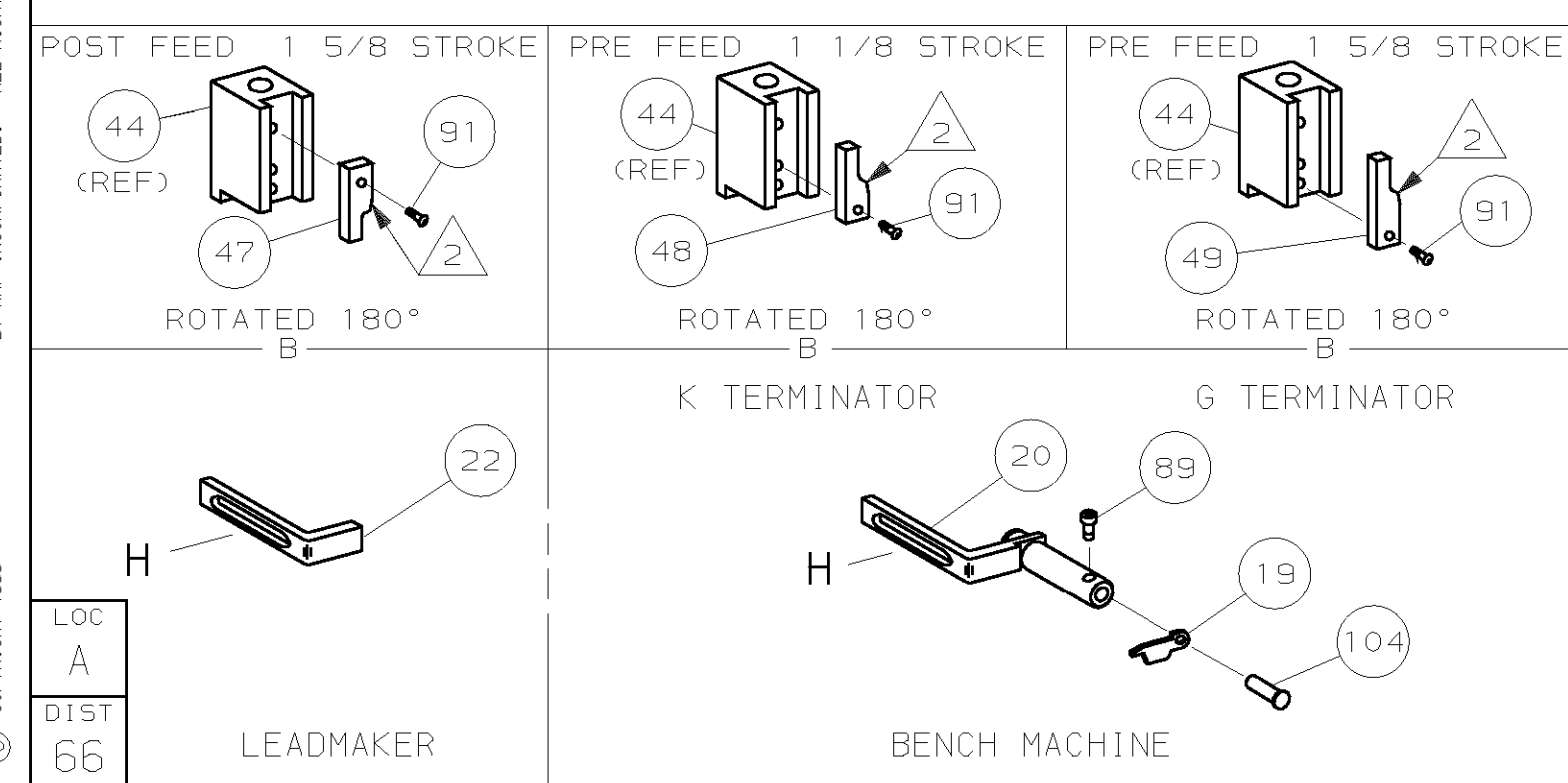
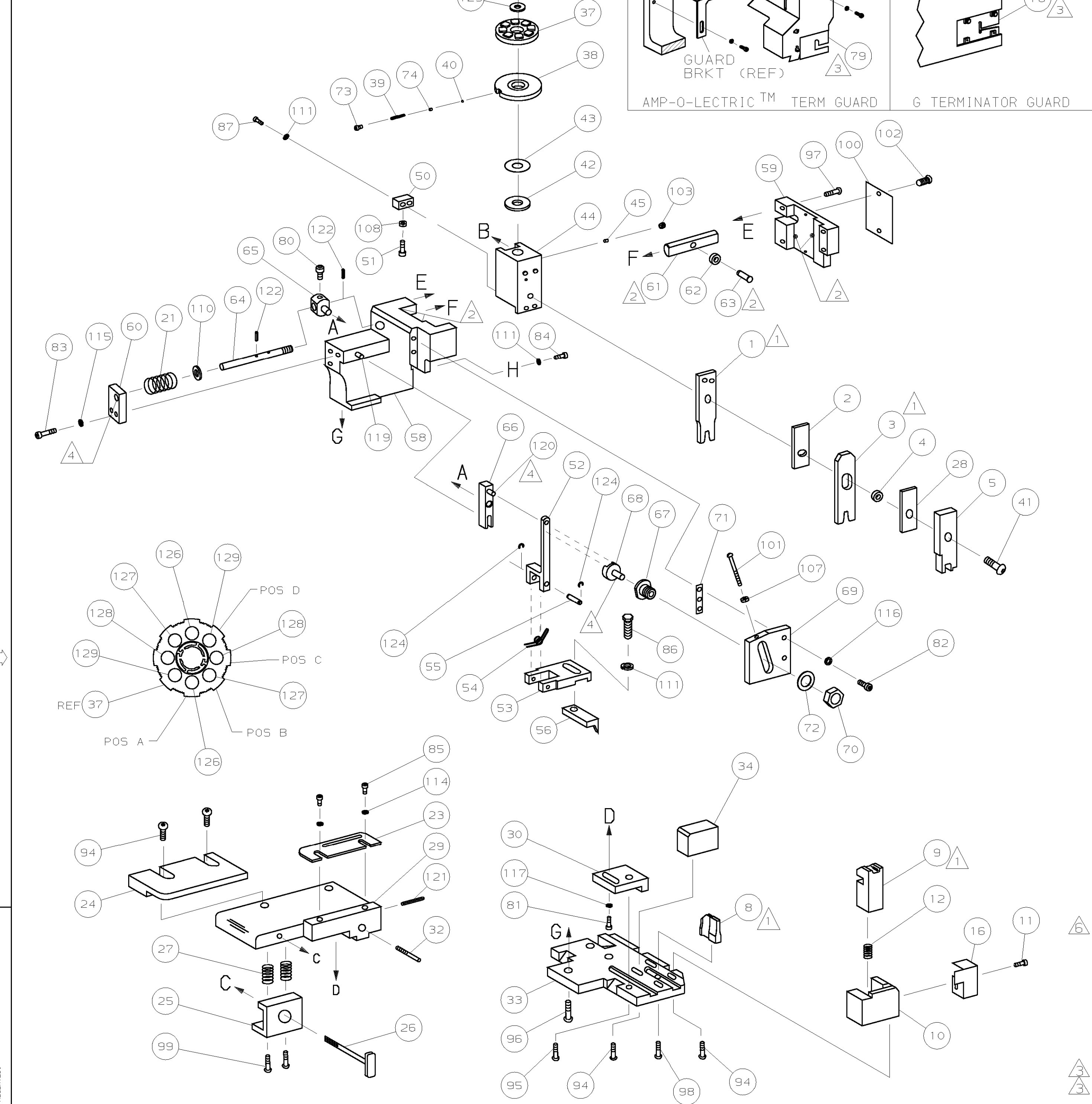


PART NUMBER	REV	FIRST USED
680206-1	C	122500-1
680206-2	C	565435-5
680206-3	C	354500-1



- 1 RECOMMENDED SPARE PARTS.
- 2 GREASE LIGHTLY.
- 3 GUARD MUST BE IN PLACE WHEN OPERATING APPLICATOR IN A BENCH MACHINE.
- 4 LUBRICATE DAILY USING NO. 20 MACHINE OIL.
- 5. ITEMS WITH QTY OF REF SPECIFIED (EXCEPT ITEMS 78 AND 79) ARE USED ON ITEM 46.
- 6 CUT TO LENGTH AT ASSY

TERMINAL NAME: MAG-MATE™ POKE-IN TAB		CRIMPING DATA	
PAD LTR	CRIMP HEIGHT	WIRE SIZE	
A	.058 ±.002 [1.47 ±0.05mm]	1mm ²	
B	.054 ±.002 [1.37 ±0.05mm]	0.75mm ²	
C	.050 ±.002 [1.27 ±0.05mm]	0.5mm ²	
D	.048 ±.002 [1.22 ±0.05mm]	0.3mm ²	
CRIMP	SIZE	TYPE	RANGE
WIRE	.090 [2.29mm]	F	0.3mm ² -1mm ²
INSUL	.140 [3.56mm]	F	3mm MAX

QTY	REF	REV	U/M	DWG SIZE	PART NO	DESCRIPTION	ITEM NO
2	2	2	-	C	2-354779-7	PIN, WIRE DISC (.31250)D	129
2	2	2	-	C	2-354779-4	PIN, WIRE DISC (.3110)C	128
2	2	2	-	C	1-354779-5	PIN, WIRE DISC (.3065)B	127
2	2	2	-	C	354779-6	PIN, WIRE DISC (.3020)A	126
1	1	1	-	A	986950-1	WASHER, FLAT PRECISION	125
REF	REF	REF	-	A	21045-3	RING, RET "C" (Ø.187)FD FING PIN	124
REF	REF	REF	-	A	5-21028-1	PIN, SLT SPR (Ø.125x.50)ADJ ROD	122
1	1	1	-	A	4-21028-0	PIN, SLT SPR (Ø.093x.75)ST GDE PL	121
REF	REF	REF	-	A	1-21030-1	PIN, DOWEL (Ø.187x.50)LEVER	120
REF	REF	REF	-	A	1-21030-6	PIN, DOWEL (Ø.187x1.25)HOUSING	119
1	1	1	-	A	21024-5	WASHER, LOCK (#10)ADJ BLOCK	118
REF	REF	REF	-	A	21024-5	WASHER, LOCK (#10)ADJ PLATE	117
REF	REF	REF	-	A	21024-5	WASHER, LOCK (#10)FEED GDE ROD	116
2	2	2	-	A	21024-2	WASHER, LOCK (#4)FRONT STP GUIDE	115
4	4	4	-	A	21024-4	WASHER, LOCK (#8)STRIPPER	114
REF	REF	REF	-	A	21899-4	WASHER, FLAT (Ø5/16)SCREW ADJ	113
1	1	1	-	A	21018-5	NUT, HEX (NO. 6)HOLDDOWN	112
REF	REF	REF	-	A	21018-5	NUT, HEX (6-32)FEED ADJ	111
1	1	1	-	A	992031-1	PIN, CLEVIS	109
1	1	1	-	A	21009-2	SCR, 5KT SET (1/4-20x.25 LW)RAM	108
2	2	2	-	A	21017-2	SCR, DRIVE (#2x.19)ID PLATE	107
REF	REF	REF	-	A	6-23715-5	SCR, PAN HD (6-32x1.50)FEED ADJ	106
1	1	1	-	B	461264-1	PLATE, IDENTIFICATION	105
2	2	2	-	A	3-21002-0	SCR, BHC (10-32x.88)DRAG	104
1	1	1	-	A	22733-8	SCR, BHC (8-32x.38 LW)ANVIL	103
REF	REF	REF	-	A	2-21002-9	SCR, BHC (10-32x.75)CAP	102
REF	REF	REF	-	A	2-22733-8	SCR, BHC (1/4-20x.62)HOUSING	101
REF	REF	REF	-	A	2-21002-7	SCR, BHC (10-32x.50)5G ADJ BLOCK	100
6	6	6	-	A	2-21002-2	SCR, BHC (8-32x.50)TERM H DWN	99
1	1	1	-	A	1-21002-7	SCR, BHC (6-32x.38)CAM	98
1	1	1	-	A	7-21000-9	SCR, SHC (4-40x.19)STRIPPER	97
2	2	2	-	A	2-21000-7	SCR, SHC (8-32x.48)DEP-HOLD	96
1	1	1	-	A	2-22603-0	SCR, HEX HD (8-32x.31)FEED FINGER	95
2	2	2	-	A	1-21000-3	SCR, SHC (4-40x.25)F ST GUIDE	94
1	1	1	-	A	2-21000-7	SCR, SHC (8-32x.50)STRIPPER	93
REF	REF	REF	-	A	3-21000-7	SCR, SHC (10-32x.75)FEED ROD GD	92
REF	REF	REF	-	A	3-21000-6	SCR, SHC (10-32x.62)FD ADJ BLK	91
1	1	1	-	A	3-21000-4	SCR, SHC (10-32x.38)5G ADJ BL	90
REF	REF	REF	-	A	3-21000-4	SCR, SHC (10-32x.38)PIVOT BLK	89
-	REF	-	-	B	455749-1	GUARD, WINDOW	88
REF	-	-	-	B	679532-1	INSERT, GUARD	87
1	1	1	-	A	690603-1	SPRING, ASSIST	86
1	1	1	-	A	23030-1	SCR, SHC (6-32x.25 SL)INS DISC	85
REF	REF	REF	-	A	458109-1	WASHER, SPECIAL	84
REF	REF	REF	-	A	690517-1	SPACER	83
-3	-2	-1	U/M	DWG SIZE	PART NO	DESCRIPTION	ITEM NO

QTY	REF	REV	U/M	DWG SIZE	PART NO	DESCRIPTION	ITEM NO
1	1	1	-	B	690542-2	PAWL, FEED	56
REF	REF	REF	-	B	240624-1	PIN, FEED FINGER	55
REF	REF	REF	-	B	691499-1	SPRING, FEED FINGER	54
REF	REF	REF	-	B	690541-1	HOLDER, FEED FINGER	53
REF	REF	REF	-	A	455679-1	LEVER, TERMINAL FEED ARM	52
1	1	1	-	A	811242-2	BUMPER, HOLDDOWN	51
1	1	1	-	A	690753-1	SPACER, TONKER	50
1	-	-	-	B	690602-6	CAM, PRE-FEED 1 5/8 ST	49
-	-	-	-	B	690602-5	CAM, PRE-FEED 1 1/8 ST	48
-	-	-	-	B	690501-4	CAM, POST-FEED 1 5/8 ST	47
1	1	1	-	B	459456-1	APPLICATOR, BASIC (SUBASSY)	46
1	1	1	-	A	690191-1	PLUG, NYLON	45
1	1	1	-	C	455673-1	RAM	44
1	1	1	-	A	690125-1	WASHER, LAMINATED	43
1	1	1	-	A	690124-1	WASHER, RAM	42
1	1	1	-	A	7-21002-9	BOLT, CRIMPER (5/16x1.00)	41
1	1	1	-	A	23241-6	BALL, STEEL	40
1	1	1	-	A	690170-1	SPRING, COMPRESSION	39
1	1	1	-	C	690142-1	DISC, INSULATION	38
1	1	1	-	D	354777-1	WIRE DISC, PLASTIC	37
1	1	1	-	A	22480-5	WASHER, SPRING	36
1	1	1	-	B	690212-1	POST, RAM	35
1	1	1	-	B	690786-1	SUPPORT, TERMINAL	34
REF	REF	REF	-	D	455675-1	PLATE, BASE	33
1	1	1	-	A	690432-3	SCREW, ADJUSTMENT	32
REF	REF	REF	-	B	455689-1	BLOCK, STRIP GUIDE ADJ	30
1	1	1	-	C	455671-1	PLATE, STRIP GUIDE	29
1	1	1	-	C	1-455888-8	SPACER, FRONT SHEAR DEP	28
2	2	2	-	A	1-22284-0	SPRING, DRAG	27
1	1	1	-	B	690546-1	LEVER, DRAG RELEASE	26
1	1	1	-	B	240792-1	DRAG, TERMINAL	25
1	1	1	-	D	5-690440-8	GUIDE, STRIP (REAR)	24
1	1	1	-	A	690438-1	GUIDE, STRIP (FRONT)	23
-	-	-	-	B	690472-2	STRIPPER	22
REF	REF	REF	-	A	4-22284-9	SPRING, FEED RETURN	21
1	1	1	-	A	679218-1	STRIPPER WIRE STOP ASSY	20
1	1	1	-	B	458949-1	STRIPPER	19
1	1	1	-	B	318563-1	GUARD, CHIP, FRONT	16
1	1	1	-	B	1-455889-4	DEPRESSOR, SHEAR (FRONT)	5
1	1	1	-	B	1-238011-6	SPACER, BLOCK CRIMPER	4
1	1	1	-	C	2-683453-7	CRIMPER, INSULATION	3
1	1	1	-	C	455888-6	SPACER, CRIMPER	2
1	1	1	-	C	3-456406-0	CRIMPER, WIRE	1