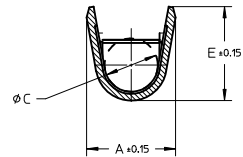
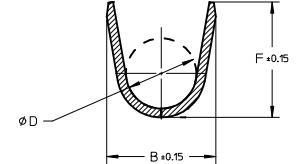


CONDUCTOR CRIMP



SECTION W-W

INSULATION CRIMP

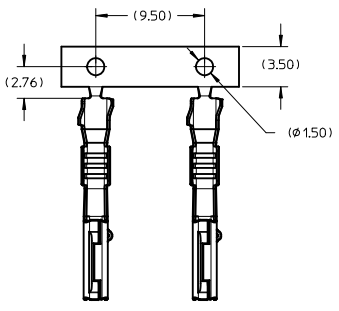
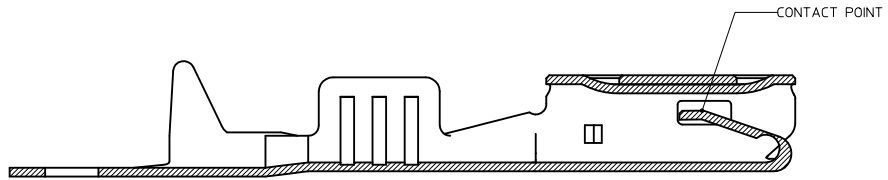


SECTION X-X

- NOTES:
1. MATERIAL: COPPER ALLOY ( MIN. 1 MICRON HOT DIPPED Sn PREPLATED)
  2. PACKAGING: REFER TO PK-36783-003.
  3. APPLICATION SPECIFICATION: REFER TO AS-36783-001.
  4. PRODUCT SPECIFICATION: REFER TO PS-36783-001.
  5. USE WITH 367830002

TABLE A

| MOLEX P/N | GRIP CODE | METRIC (mm) <sup>2</sup> WIRE SIZE | DIM A | DIM B | DIM ØC | DIM ØD | DIM E | DIM F |
|-----------|-----------|------------------------------------|-------|-------|--------|--------|-------|-------|
| 367830003 | M         | 0.75-1.00                          | 2.51  | 3.07  | 1.50   | 1.98   | 2.64  | 3.25  |
| 367830004 | S         | 0.35-0.50                          | 1.91  | 2.47  | 1.00   | 1.54   | 1.94  | 2.60  |



SECTION Y-Y

|   |  |   |                 |   |              |  |  |
|---|--|---|-----------------|---|--------------|--|--|
| ENTER DESCRIPTION<br>EC NO: 12012-0048<br>DRAWNSY: 2011/07/29<br>CHKD:<br>APPR:KPRASAD 2011/07/29 | QUALITY SYMBOLS                                      | GENERAL TOLERANCES (UNLESS SPECIFIED)   | DIMENSION STYLE | SCALE   | DESIGN UNITS | THIRD ANGLE PROJECTION   |  |
|   | ∇=0<br>∇=0<br>∇=0                                    | mm INCH<br>4 PLACES ± --- ± ---<br>3 PLACES ± --- ± ---<br>2 PLACES ± --- ± ---<br>1 PLACE ± --- ± ---<br>ANGULAR ±1/2° | MM ONLY         | 10:1  | METRIC       | DRAWN BY DATE<br>NSV 2011/06/07<br>CHECKED BY DATE<br>APPROVED BY DATE<br>KPRASAD 2011/06/24 |  |
|   | DRAFT WHERE APPLICABLE MUST REMAIN WITHIN DIMENSIONS |   | SEE TABLE A     | TITLE<br>FEMALE TERMINAL 1.2 MM SEALED CONNECTOR SYSTEM |              | MOLEX INCORPORATED   |  |
|   |  |   | SIZE A2         | DOCUMENT NO.<br>SD-36783-003                            |              | SHEET NO.<br>1 OF 1  |  |

THIS DRAWING CONTAINS INFORMATION THAT IS PROPRIETARY TO MOLEX INCORPORATED AND SHOULD NOT BE USED WITHOUT WRITTEN PERMISSION