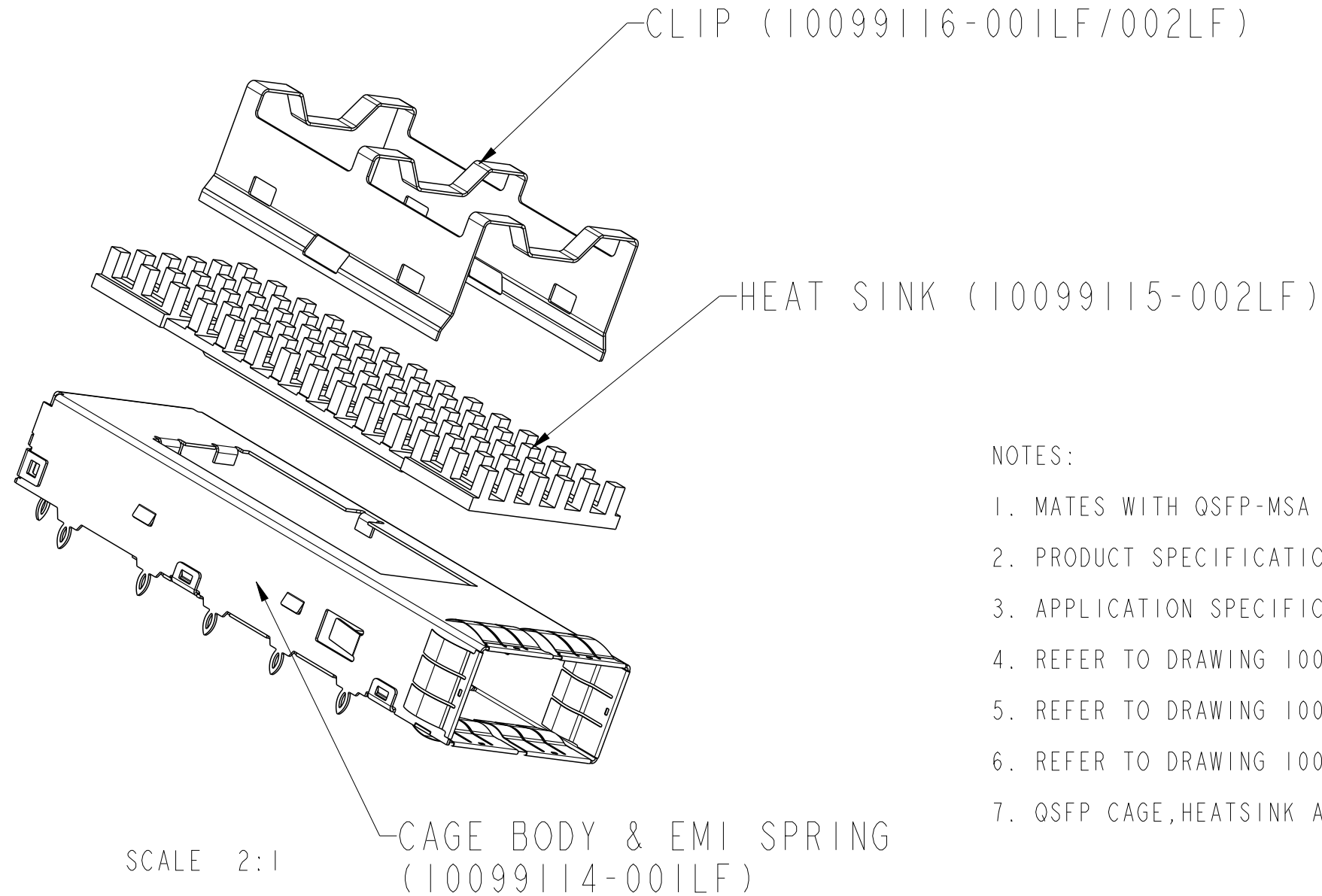


PART NUMBER	Clip	PACKAGING
10117436-001LF	10099116-001LF	TRAY
10117436-002LF	10099116-002LF	TRAY



QSFP CAGE KIT

NOTES:

1. MATES WITH QSFP-MSA COMPLIANT TRANSCEIVER.
2. PRODUCT SPECIFICATION: GS-12-622.
3. APPLICATION SPECIFICATION: GS-20-126.
4. REFER TO DRAWING 10099114 FOR DIMENSIONAL INFORMATION FOR QSFP CAGE.
5. REFER TO DRAWING 10099115 FOR DIMENSION INFORMATION FOR HEAT SINK.
6. REFER TO DRAWING 10099116 FOR DIMENSION INFORMATION FOR CLIP.
7. QSFP CAGE, HEATSINK AND CLIP WILL BE SHIPPED SEPARATELY.

3	CLIP	10099116-001LF/002LF	COPPER ALLOY
2	HEAT SINK	10099115-002LF	ALUMINUM
1	CAGE BODY & EMI SPRING	10099114-001LF	COPPER ALLOY
No.	COMPONENT NAME	FCI COMPONENT P/N	MATERIAL

spec ref	RELEASE	dr	Andy Zhang	2011/03/16	projection	MM	size	A3	scale	1:1
tolerance std	ASME Y14.5	eng	Art Lin	2015/05/22			ecn no	ELX-DG-20151-1		
	TOLERANCES UNLESS OTHERWISE SPECIFIED	chr	-				rel level	Released		
surface	✓	appr	Pei-Ming Zheng	2015/05/24	product family	-	rel level	Released		
	linear	0.X	±0.50		QSFP CAGE KIT WITH HEATSINK AND CLIP	cat. no. -	Product - Customer Drw	sheet 1 of 4	www.fci.com	rev C
		0.XX	±0.25							
		0.XXX	±							
	angular	0°	±5°							

1

2

3

4

A

A

B

B

C

C

D

D

THIS AREA DENOTES
COMPONENT KEEP-OUT
(TRACES ALLOWED)

$\varnothing 1.05 \pm 0.05$ TYP.
 $\varnothing 0.10$ M A K L

C OF -K- & -L-

($\varnothing 1.55$)
L

SEE QSFP CONNECTOR DRAWING FOR
CONNECTOR LAYOUT

22.15 MIN.

19.0

37.0 MAX.
9.0 9.0 9.0 7.6 3.1

3.4

7.2 16.8 19.2 MAX.

9.0 9.0 9.0 3.1

5.44 MAX.

7.6

($\varnothing 1.55$)
K

6.94 MIN.

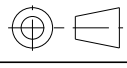
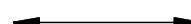

10.6

11.3 MIN.

CROSS-HATCHED AREA DENOTES
COMPONENT AND TRACE KEEP-OUT
(EXCEPT CHASSIS GROUND)

AREA DENOTES OPTIONAL EMI
GROUNDING PAD (MUST BE
CONNECTED TO CHASSIS GROUND)

PCB LAYOUT FOR SINGLE SIDED APPLICATION

spec ref	RELEASE	dr	Andy Zhang	2011/03/16	projection	MM	size	A3	scale	1:1	
tolerance std	ASME Y14.5	eng	Art Lin	2015/05/22			ecn no		ELX-DG-20151-1		
		chr	-					rel level		Released	
surface	✓	appr	Pei-Ming Zheng	2015/05/24	product family	-	rel level		Released		
linear	0.X	±0.50		title		QSFP CAGE KIT		dwg no		10117436	
	0.XX	±0.25		WITH HEATSINK AND CLIP				rev		C	
	0.XXX	±		cat. no.		-		Product - Customer Drw		sheet 2 of 4	
angular	ASME Y14.5	0°	±5°	www.fci.com			PDS: Rev :C		STATUS:Released		

2

3



$\varnothing 1.05 \pm 0.05$ TYP.
 $\varnothing 0.10$ (M) A K L

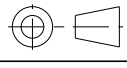
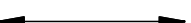

THIS AREA DENOTES COMPONENT KEEP-OUT (TRACES ALLOWED)

SEE QSFP CONNECTOR DRAWING FOR CONNECTOR LAYOUT

CROSS-HATCHED AREA DENOTES COMPONENT AND TRACE KEEP-OUT (EXCEPT CHASSIS GROUND)

AREA DENOTES OPTIONAL EMI GROUNDING PAD (MUST BE CONNECTED TO CHASSIS GROUND)

PCB LAYOUT FOR BELLY TO BELLY APPLICATION

spec ref	RELEASE	dr	Andy Zhang	2011/03/16	projection	MM	size	A3	scale	1:1								
tolerance std	ASME Y14.5	eng	Art Lin	2015/05/22			ecn no	ELX-DG-20151-1										
		chr	-					rel level	Released									
surface	<input checked="" type="checkbox"/> linear <input type="checkbox"/> angular	appr	Pei-Ming Zheng	2015/05/24	product family	-	rel level	Released										
	<table border="1"> <tr> <td>0.X</td> <td>± 0.50</td> </tr> <tr> <td>0.XX</td> <td>± 0.25</td> </tr> <tr> <td>0.XXX</td> <td>\pm</td> </tr> <tr> <td>ASME Y14.5</td> <td>angular 0° $\pm 5^\circ$</td> </tr> </table>	0.X	± 0.50	0.XX	± 0.25	0.XXX	\pm	ASME Y14.5	angular 0° $\pm 5^\circ$			title QSFP CAGE KIT WITH HEATSINK AND CLIP		dwg no 10117436	rev C			
0.X	± 0.50																	
0.XX	± 0.25																	
0.XXX	\pm																	
ASME Y14.5	angular 0° $\pm 5^\circ$																	
www.fci.com		cat. no.	-		Product - Customer Drw			sheet 3 of 4										



Copyright FCI.

1

2

3

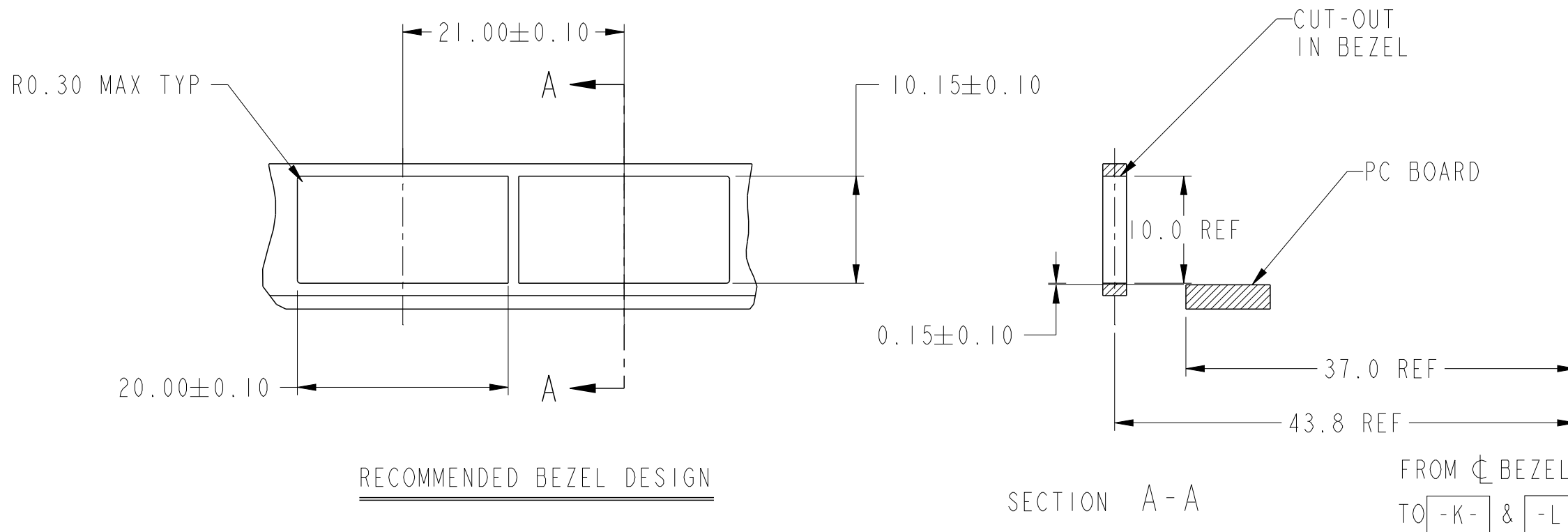
4

A

B

C

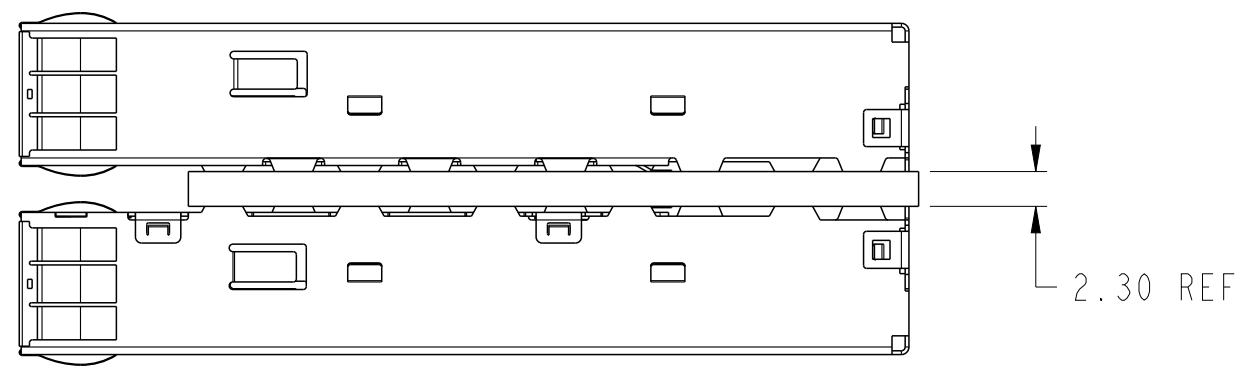
D



RECOMMENDED BEZEL DESIGN

SECTION A-A

FROM CL BEZEL TO -K- & -L-



BEZEL CUTOUT LOCATIONS FOR BELLY TO BELLY APPLICATIONS ARE DEPENDENT ON PCB THICKNESS



Copyright FCI.

spec ref	RELEASE	dr	Andy Zhang	2011/03/16	projection	MM	size	A3	scale	1:1
tolerance std	TOLERANCES UNLESS OTHERWISE SPECIFIED	eng	Art Lin	2015/05/22		← →	ecn no	ELX-DG-20151-1	rel level	Released
ASME Y14.5		chr	-	-						
-		appr	Pei-Ming Zheng	2015/05/24						
surface	linear	0.X	±0.50		cat. no.	-	Product - Customer Drw	sheet 4 of 4	rev	C
ASME Y14.5	angular	0.XX	±0.25							
		0.XXX	±							
		0°	±5°	www.fci.com						