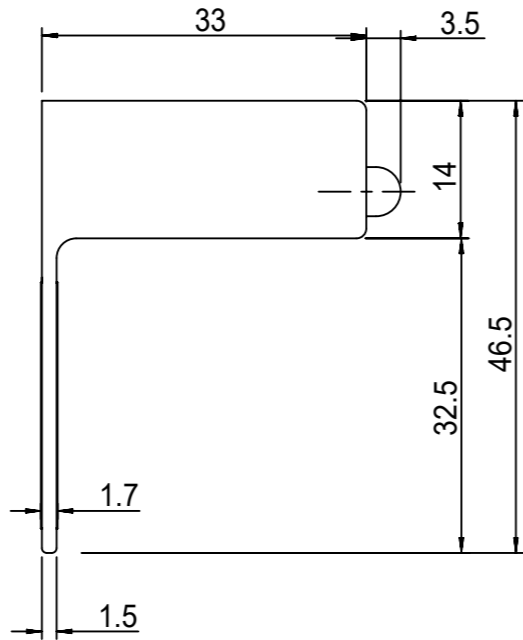
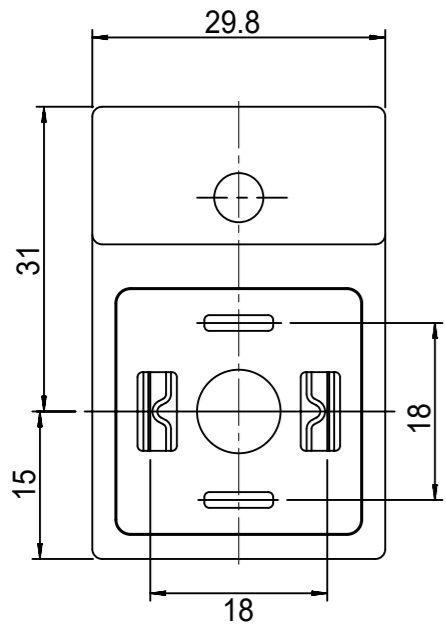
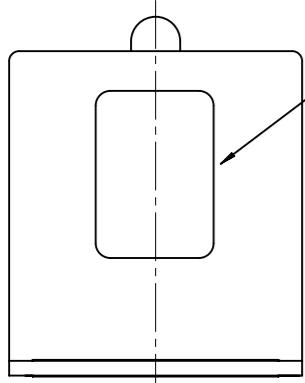


A 0 6 X X X

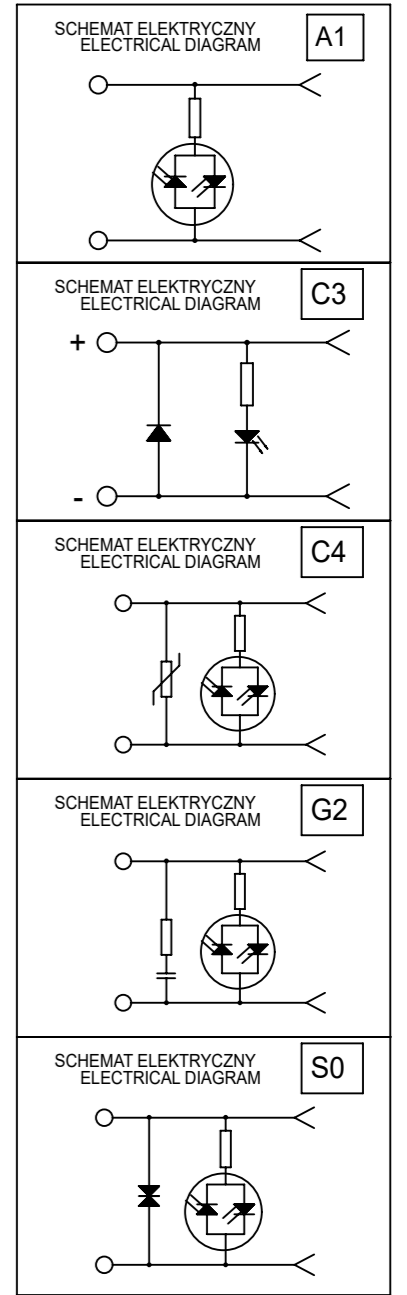
RODZAJ POLACZENIA/INTERNAL CIRCUIT  
 PATRZ SCHEMATY POLACZEN/WIREING CONFIGURATION  
 NAPIECIE ORAZ KOLOR DIODY/VOLTAGE AND LED COLOUR:

|         |                           |         |                            |         |                           |
|---------|---------------------------|---------|----------------------------|---------|---------------------------|
| 1= 12V  | CZERWONA DIODA<br>RED LED | A= 12V  | ZIELONA DIODA<br>GREEN LED | G= 12V  | ZOLTA DIODA<br>YELLOW LED |
| 2= 24V  |                           | B= 24V  |                            | H= 24V  |                           |
| 3= 48V  |                           | C= 48V  |                            | K= 48V  |                           |
| 4= 115V |                           | D= 115V |                            | L= 115V |                           |
| 5= 230V |                           | E= 230V |                            | M= 230V |                           |

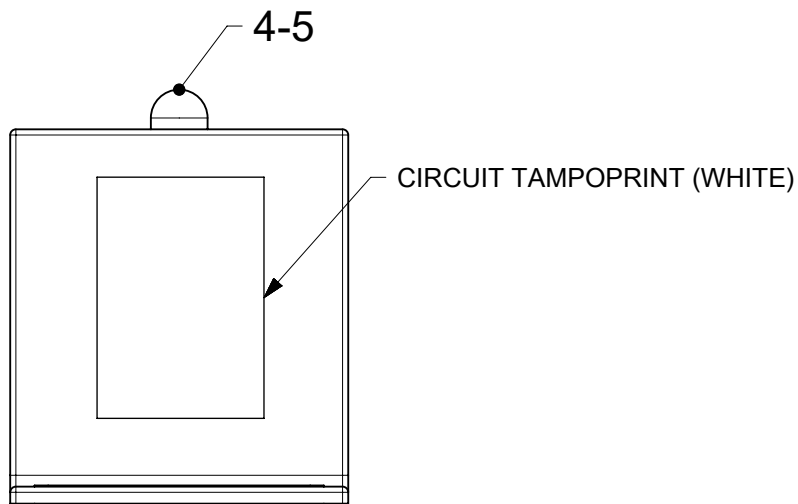
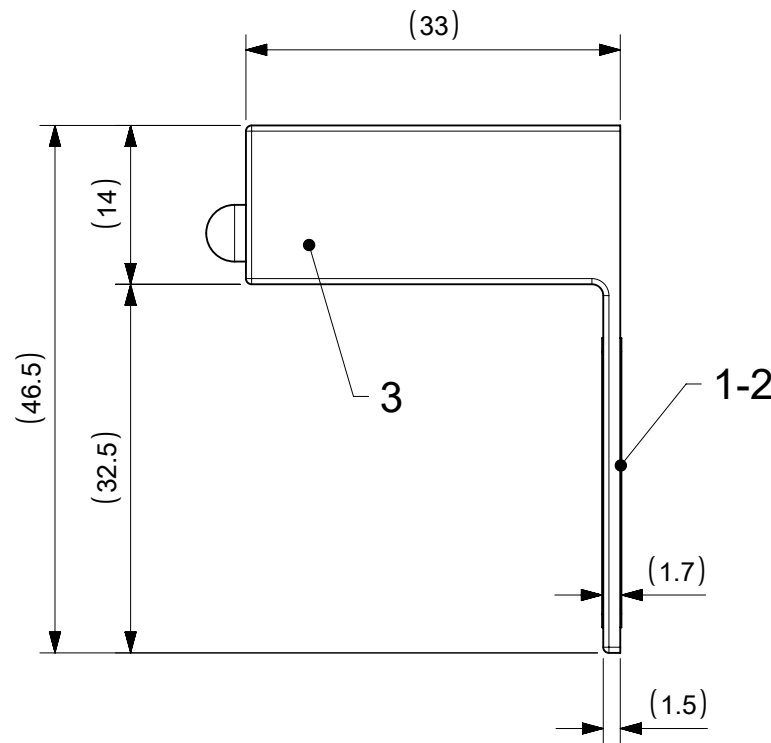
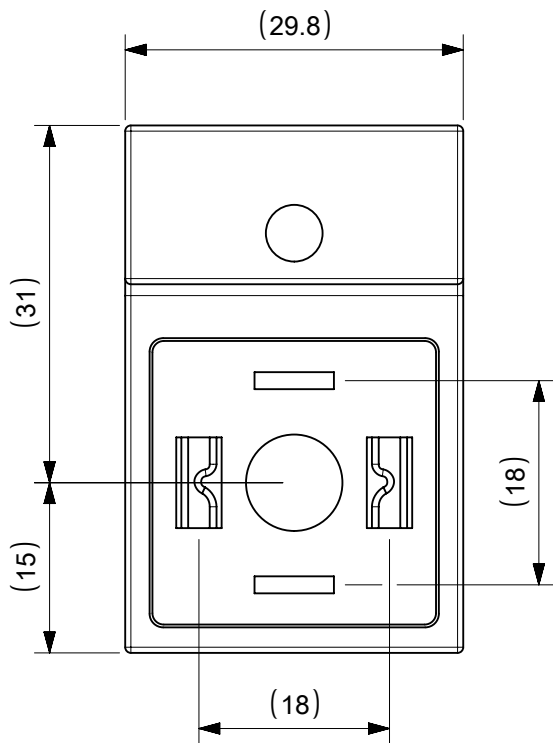


| MOLEX PN   | MPM PN | MOLEX PN   | MPM PN |
|------------|--------|------------|--------|
| 1210010190 | A06A12 | 1210010217 | A06C4E |
| 1210010194 | A06A1B | 1210010219 | A06C4H |
| 1210010197 | A06A1H | 1210010220 | A06C4L |
| 1210010202 | A06C32 | 1210010221 | A06C4M |
| 1210010206 | A06C3B | 1210010223 | A06G22 |
| 1210010207 | A06C3H | 1210010226 | A06G25 |
| 1210010210 | A06C42 | 1210010231 | A06G2H |
| 1210010212 | A06C44 | 1210010233 | A06G2L |
| 1210010213 | A06C45 | 1210010234 | A06G2M |
| 1210010214 | A06C4B | 1210010236 | A06S02 |
|            |        | 1210010240 | A06S0H |

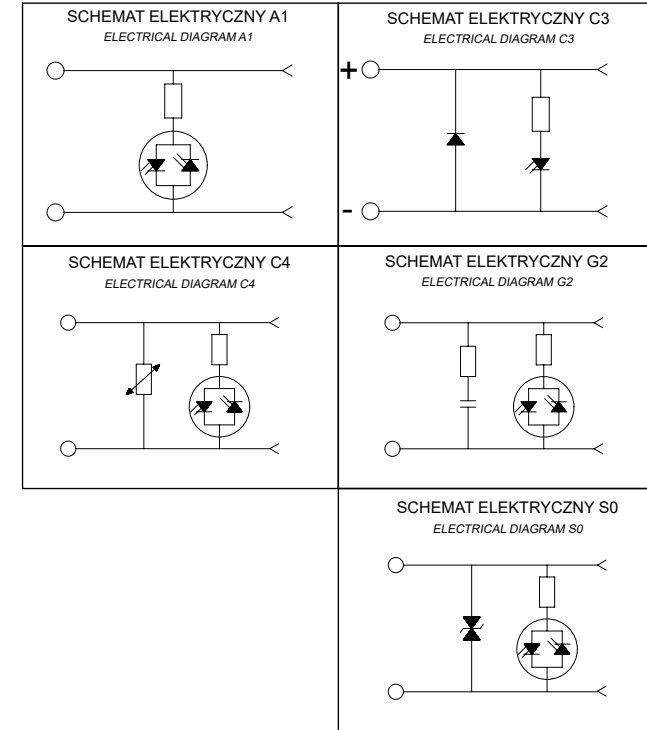
SCHEMATY POLACZEN  
/WIREING CONFIGURATION



|   |  |       |  |  |  |                   |  |            |  |                 |  |
|---|--|-------|--|--|--|-------------------|--|------------|--|-----------------|--|
| THIS DRAWING CONTAINS INFORMATION THAT IS PROPRIETARY TO MOLEX ELECTRONIC TECHNOLOGIES, LLC AND SHOULD NOT BE USED WITHOUT WRITTEN PERMISSION |  |       |  |  |  |                   |  |            |  |                 |  |
| DIMENSION UNITS   |  | SCALE |  | CURRENT REV DESC: REMOVED OBSOLETE PART NUMBERS AS PER PCN#511691. |  |                   |  |            |  | <b>molex</b>    |  |
| MM  |  | NTS   |  |  |  |                   |  |            |  |                 |  |
| GENERAL TOLERANCES (UNLESS SPECIFIED)   |  |       |  |  |  |                   |  |            |  |                 |  |
|   |  | MM    |  | INCH   |  |                   |  |            |  |                 |  |
| 4 PLACES  |  | ±     |  | ±  |  | EC NO: 737858     |  |            |  |                 |  |
| 3 PLACES  |  | ±     |  | ±  |  | DRWN: SANTHN      |  | 2023/02/08 |  |                 |  |
| 2 PLACES  |  | ±     |  | ±  |  | CHK'D: GGA        |  | 2023/02/24 |  |                 |  |
| 1 PLACE   |  | ±     |  | ±  |  | APPR: GGA         |  | 2023/02/24 |  |                 |  |
| 0 PLACES  |  | ±     |  | ±  |  | INITIAL REVISION: |  |            |  |                 |  |
| ANGULAR TOL   |  | ±     |  | °  |  | DRWN: MLEVYTSKY   |  | 2009/05/05 |  | DOCUMENT NUMBER |  |
|   |  |       |  |  |  | APPR: MWOLSZCZAK  |  | 2009/05/05 |  | A06XXX          |  |
| DRAFT WHERE APPLICABLE MUST REMAIN WITHIN DIMENSIONS  |  |       |  | THIRD ANGLE PROJECTION   |  | DRAWING           |  | SERIES     |  | MATERIAL NUMBER |  |
|   |  |       |  |  |  | A3-SIZE           |  | 121001     |  | CUSTOMER        |  |
|   |  |       |  |  |  |                   |  |            |  | SEE TABLE       |  |
|   |  |       |  |  |  |                   |  |            |  | GENERAL MARKET  |  |
|   |  |       |  |  |  |                   |  |            |  | SHEET NUMBER    |  |
|   |  |       |  |  |  |                   |  |            |  | 1 OF 1          |  |



SCHEMATY POŁĄCZEŃ/ WIRING CONFIGURATION



THIS DRAWING CONTAINS INFORMATION THAT IS PROPRIETARY TO MOLEX ELECTRONIC TECHNOLOGIES, LLC AND SHOULD NOT BE USED WITHOUT WRITTEN PERMISSION

|                                       |       |   |  |
|---------------------------------------|-------|---|--|
| DIMENSION UNITS                       | SCALE | CURRENT REV DESC: REMOVED OBSOLETE PART NUMBER AS PER PCN#511691. |  |
| mm                                    | 1:1   |   |  |
| GENERAL TOLERANCES (UNLESS SPECIFIED) |       |   |  |
| ANGULAR TOL                           | ±     | °   |  |
| 4 PLACES                              | ±     | EC NO: 737858   |  |
| 3 PLACES                              | ±     | DRWN: SANTHN 2023/02/10   |  |
| 2 PLACES                              | ±     | CHK'D: GGA 2023/02/24   |  |
| 1 PLACE                               | ±     | APPR: GGA 2023/02/24  |  |
| 0 PLACES                              | ±     | INITIAL REVISION:   |  |
|                                       |       | DRWN: JMARSZALEK 2013/02/11                                       |  |
|                                       |       | APPR: MIWASIECZKO 2013/02/12                                      |  |

**molex**

LIGHTS ADAPTORS  
SERIES A06XXX FOR DIN A

PRODUCT CUSTOMER DRAWING

|                 |          |          |          |
|-----------------|----------|----------|----------|
| DOCUMENT NUMBER | DOC TYPE | DOC PART | REVISION |
| SD-121001-006   | PSD      | 001      | A2       |

|  |                        |         |        |                 |                |              |
|--|------------------------|---------|--------|-----------------|----------------|--------------|
| DRAFT WHERE APPLICABLE MUST REMAIN WITHIN DIMENSIONS | THIRD ANGLE PROJECTION | DRAWING | SERIES | MATERIAL NUMBER | CUSTOMER       | SHEET NUMBER |
|  |                        | A4-SIZE | 121001 | SEE PART LIST   | GENERAL MARKET | 1 OF 2       |

|                 |    |              |            |          |
|-----------------|----|--------------|------------|----------|
| DOCUMENT STATUS | P1 | RELEASE DATE | 2023/02/24 | 09:13:39 |
|-----------------|----|--------------|------------|----------|

# PART LIST

| MOLEX PN   | ENG. NO | CIRCUIT TYPE | LED COLOR |
|------------|---------|--------------|-----------|
| 1210010190 | A06A12  | A1 24V       | RED       |
| 1210010194 | A06A1B  | A1 24V       | GREEN     |
| 1210010197 | A06A1H  | A1 24V       | YELLOW    |
| 1210010202 | A06C32  | C3 24V       | RED       |
| 1210010206 | A06C3B  | C3 24V       | GREEN     |
| 1210010207 | A06C3H  | C3 24V       | YELLOW    |
| 1210010210 | A06C42  | C4 24V       | RED       |
| 1210010212 | A06C44  | C4 115V      | RED       |
| 1210010213 | A06C45  | C4 230V      | RED       |
| 1210010214 | A06C4B  | C4 24V       | GREEN     |
| 1210010217 | A06C4E  | C4 230V      | GREEN     |
| 1210010219 | A06C4H  | C4 24V       | YELLOW    |
| 1210010220 | A06C4L  | C4 115V      | YELLOW    |
| 1210010221 | A06C4M  | C4 230V      | YELLOW    |
| 1210010223 | A06G22  | G2 24V       | RED       |
| 1210010226 | A06G25  | G2 230V      | RED       |
| 1210010231 | A06G2H  | G2 24V       | YELLOW    |
| 1210010233 | A06G2L  | G2 115V      | YELLOW    |
| 1210010234 | A06G2M  | G2 230V      | YELLOW    |
| 1210010236 | A06S02  | S0 24V       | RED       |
| 1210010240 | A06S0H  | S0 24V       | YELLOW    |
| 1210010437 | A06A1E  | A1 230V      | GREEN     |
| 1210010500 | A06S0K  | S0 48V       | YELLOW    |

# PART No MATRIX



INTERNAL CIRCUIT

VOLTAGE AND LED COLOR

|         |         |         |           |         |            |
|---------|---------|---------|-----------|---------|------------|
| 1= 12V  | RED LED | A= 12V  | GREEN LED | G= 12V  | YELLOW LED |
| 2= 24V  |         | B= 24V  |           | H= 24V  |            |
| 3= 48V  |         | C= 48V  |           | K= 48V  |            |
| 4= 115V |         | D= 115V |           | L= 115V |            |
| 5= 230V |         | E= 230V |           | M= 230V |            |

| ITEM | QTY | DESCRIPTION        | MATERIAL | FINISH/COLOR  |
|------|-----|--------------------|----------|---------------|
| 5    | 1   | DISTANZIALE LED    | -        | -             |
| 4    | 1   | PCB WITH COMPONENT | -        | SEE PART LIST |
| 3    | 1   | CORPO STAMPATO     | -        | BLACK         |
| 2    | -   | EPOXY ER2188K5K    | -        | BLACK         |
| 1    | -   | EPOXY ER2188B      | -        | BLACK         |

THIS DRAWING CONTAINS INFORMATION THAT IS PROPRIETARY TO MOLEX ELECTRONIC TECHNOLOGIES, LLC AND SHOULD NOT BE USED WITHOUT WRITTEN PERMISSION

|  |                            |  |                         |                                  |
|--|----------------------------|--|-------------------------|----------------------------------|
| DIMENSION UNITS<br><b>mm</b>                               | SCALE<br><b>1:1</b>        | CURRENT REV DESC: REMOVED OBSOLETE PART NUMBER AS PER PCN#511691.                  |                         |                                  |
| GENERAL TOLERANCES (UNLESS SPECIFIED)                      |                            | <p>LIGHTS ADAPTORS<br/>SERIES A06XXX FOR DIN A</p> <p>PRODUCT CUSTOMER DRAWING</p> |                         |                                  |
| ANGULAR TOL  | ± °                        |  |                         |                                  |
| 4 PLACES   | ±                          |  |                         |                                  |
| 3 PLACES   | ±                          |  |                         |                                  |
| 2 PLACES   | ±                          |  |                         |                                  |
| 1 PLACE  | ±                          | EC NO: 737858  | 2023/02/10              |                                  |
| 0 PLACES   | ±                          | DRWN: SANTHN   | 2023/02/24              |                                  |
|  |                            | CHK'D: GGA   | 2023/02/24              |                                  |
|  |                            | APPR: GGA  | 2023/02/24              |                                  |
|  |                            | INITIAL REVISION:  |                         | DOCUMENT NUMBER                  |
|  |                            | DRWN: JMARSZALEK   | 2013/02/11              | <b>SD-121001-006</b>             |
|  |                            | APPR: MIWASIECZKO  | 2013/02/12              | PSD 001 A2                       |
| DRAFT WHERE APPLICABLE<br>MUST REMAIN<br>WITHIN DIMENSIONS | THIRD ANGLE PROJECTION<br> | DRAWING<br><b>A4-SIZE</b>  | SERIES<br><b>121001</b> | MATERIAL NUMBER<br>SEE PART LIST |
|  |                            | CUSTOMER<br>GENERAL MARKET   |                         | DOC PART<br>001                  |
|  |                            |  |                         | REVISION<br>A2                   |
|  |                            |  |                         | SHEET NUMBER<br>2 OF 2           |

|                 |    |              |            |          |
|-----------------|----|--------------|------------|----------|
| DOCUMENT STATUS | P1 | RELEASE DATE | 2023/02/24 | 09:13:39 |
|-----------------|----|--------------|------------|----------|