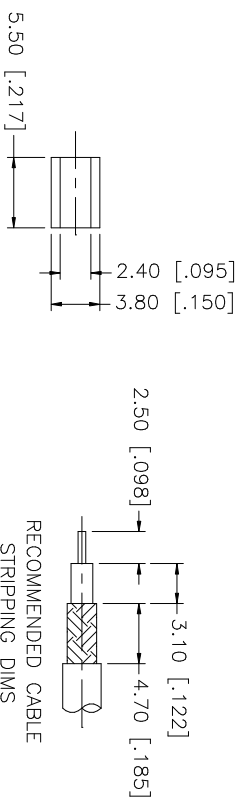
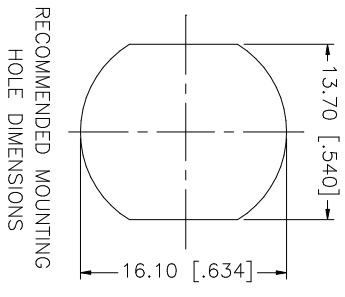
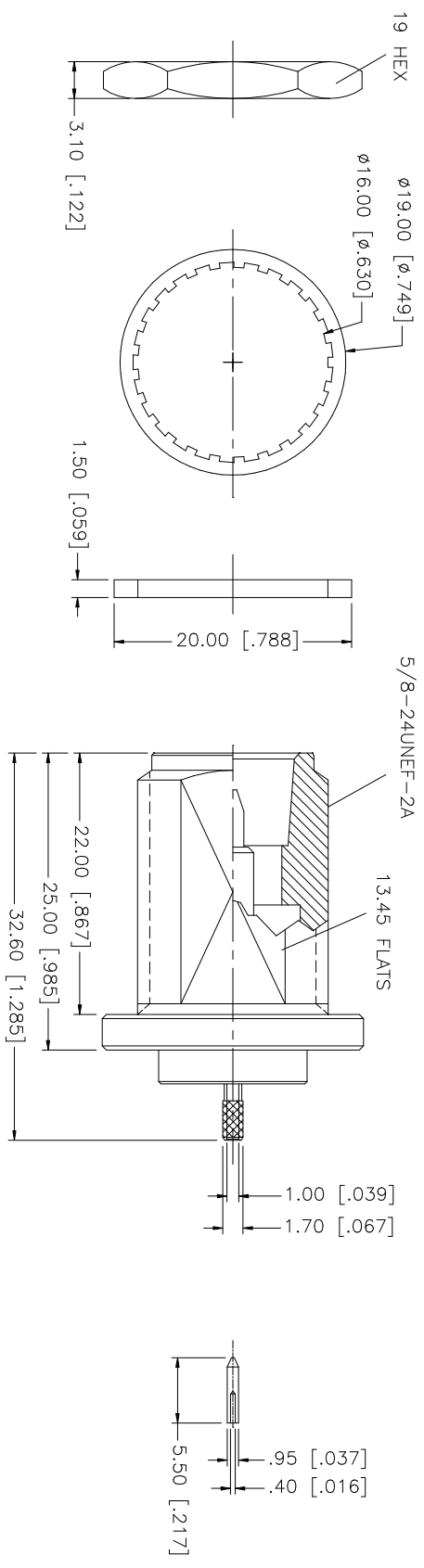


REV.	DATE	DESCRIPTION
NC	04/29/04	INITIAL RELEASE



NOTE:
 1. CRIMPED FERRULE
 HEX CRIMP SIZE .128"
 2. MAX. PANEL THICKNESS = 6.5mm

QTY	FINISH	MATERIAL	DESCRIPTION
1	NEXCOTE	COPPER	FERRULE
1	NEXCOTE	BRASS	HEX NUT
1	NEXCOTE	BRASS	LOCK WASHER
1	RED	SILICONE	GASKET
1	GOLD	PHOS. BRONZE	CONTACT PIN
1	NATURAL	TEFLON	INSULATOR
1	NEXCOTE	BRASS	BODY
1	NEXCOTE	BRASS	DESCRIPTION

DATE	APPROVALS	CAD FILE
04/29/04	G.R.S.	C:/172/172313RP.DWG

DATE	DESCRIPTION	PART NO.
04/29/04	N REVERSE POLARITY BULKHEAD CRIMP JACK (FOR RG-178B/U, 196A/U CABLE)	172313RP

DATE	REV.	SIZE	SCALE
04/29/04	NC	A	NA

Amphenol Connex

UNLESS OTHERWISE SPECIFIED DIMENSIONS ARE IN MILLIMETERS. DIMENSIONS IN [] ARE IN INCHES AND FOR CUSTOMER REFERENCE ONLY. TOLERANCES FOR MILLIMETERS ARE:
 0.5 - 8mm ± 0.20mm
 8 - 30mm ± 0.40mm
 30 - 120mm ± 0.50mm
 UNLESS OTHERWISE SPECIFIED TOLERANCES FOR INCHES ARE:
 .020 - .315 = ± 0.007"
 .315 - 1.180 = ± 0.015"
 1.180 - 4.724 = ± 0.020"
 DO NOT SCALE DRAWING