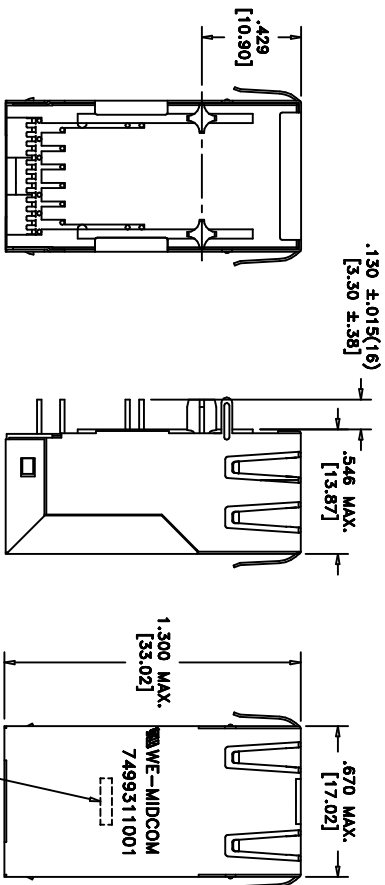
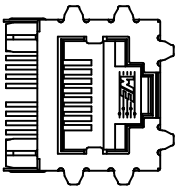


Sn100% Yes Yes

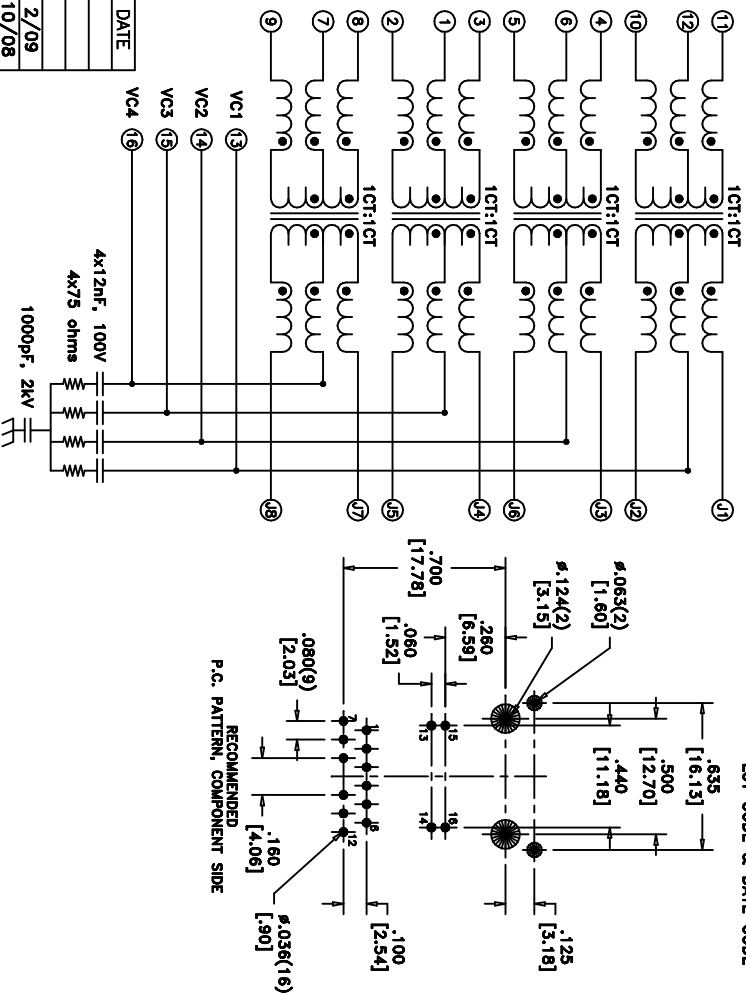


LOT CODE & DATE CODE

ELECTRICAL SPECIFICATIONS @ 25°C unless otherwise noted:

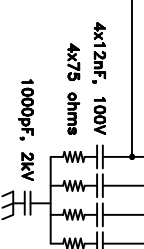
PARAMETER	TEST CONDITIONS	VALUE
INDUCTANCE	J1-J2 100kHz, 100mVAC, 8mADC, 1p	350uH min.
INDUCTANCE	J3-J6 100kHz, 100mVAC, 8mADC, 1p	350uH min.
INDUCTANCE	J4-J5 100kHz, 100mVAC, 8mADC, 1p	350uH min.
INDUCTANCE	J7-J8 100kHz, 100mVAC, 8mADC, 1p	350uH min.
DIELECTRIC	P1-12 to J1-8	1500Vrms/2250VDC, 1 minute
TURNS RATIO	Per schematic	-
INSERTION LOSS	1M - 100MHz	-1.0dB max.
RETURN LOSS	1M - 30MHz	-18dB min.
RETURN LOSS	30M - 45MHz	-16dB min.
RETURN LOSS	45M - 60MHz	-14dB min.
RETURN LOSS	60M - 80MHz	-12dB min.
RETURN LOSS	80M - 100MHz	-10dB min.
CROSSTALK	1M - 100MHz	-30dB typ.
COMMON MODE REJECTION	1M - 100MHz	-35dB min.
COMMON MODE REJECTION	100M - 500MHz	-25dB min.

GENERAL SPECIFICATIONS:
 OPERATING TEMPERATURE RANGE: 0°C to +70°C.
 Designed to handle 350mADC and meet 802.3af.



RECOMMENDED P.C. PATTERN, COMPONENT SIDE

REV.	DATE
6A	10/08
6B	2/09



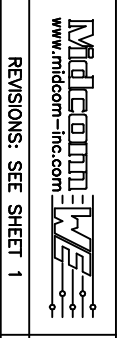
Unless otherwise specified:
 Tolerances: Fractions: ±1/64
 Angles: ±1° Decimals: ±.010 [.25]

1000pF, 2kV
 4x75 ohms
 4x12nF, 100V

Method: Tray
 PKG-0573
 www.midcom-inc.com

Unless otherwise specified:
 Fractions: ±1/64
 Angles: ±1° Decimals: ±.010 [.25]

DRIVING TITLE
TRANSFORMER
 Gigabit & PoE



DRIVING NO.
7499311001

AGENCY NUMBER
 UL60950-1 E205530

REVISIONS: SEE SHEET 1

SCALE --- SHEET 2 OF 7