

**Ratings**

Voltage: 600 V  
 Temperature: -40~105 °C  
 Flammability: FT2

**Conductor**

Conductor count: 5  
 Gauge: 24 AWG 0.21 mm<sup>2</sup>  
 Material: tinned copper strands  
 Strand size:  $\varnothing 0.08 \times 41$   
 Resistance at 20 °C: 94.2  $\Omega$  /km max

**Insulator**

Material: mPPE  
 Color: red, black, white, yellow, blue  
 Diameter:  $\varnothing 1.1 \pm 0.10$  mm  
 Average thickness: 0.24 mm  
 Minimum thickness: 0.19 mm  
 Resistance at 20 °C: 100 M $\Omega$  /km min

**Shield**

Type: foil  
 Material: aluminum mylar  
 Coverage: 100%

**Filler**

Material: cotton rope

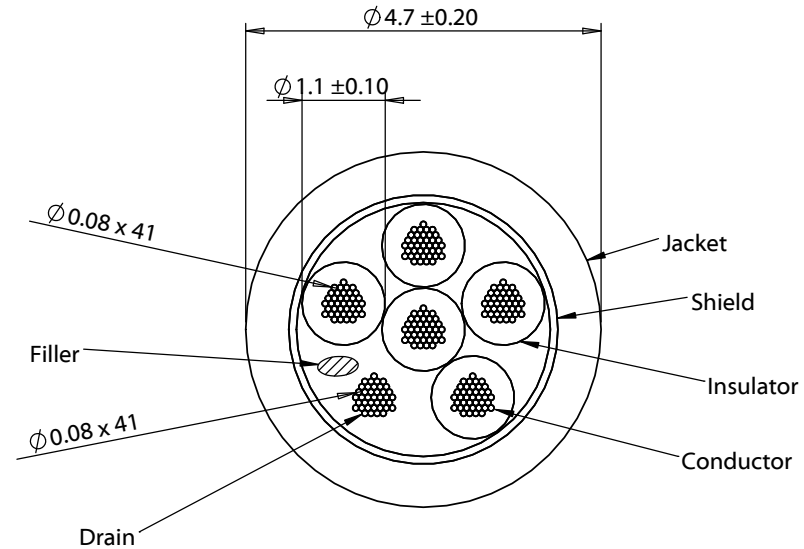
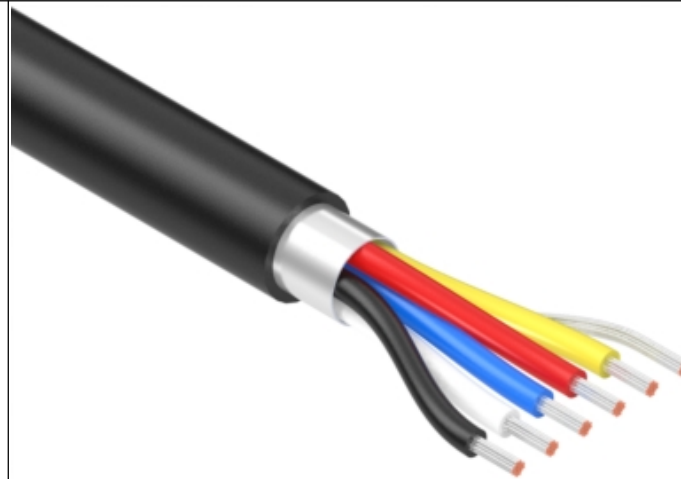
**Outer jacket**


Material: mPPE, 85A  
 Color: black  
 Diameter:  $\varnothing 4.7 \pm 0.20$  mm  
 Average thickness: 0.81 mm  
 Minimum thickness: 0.57 mm

**Wire marking:** E339579 UL AWM STYLE 21509 24 AWG 105°C 600V --- cUL AWM I A 105°C 600V FT2 TENSILITY

**Bend radius**

Minimum: 6 times diameter (28.2 mm)



|           |           |                 |   |   |   |
|-----------|-----------|-----------------|---|---|---|
| Revision: | Date:     | Description:    | Prepared:   | Notes:  | <h1>TENSILITY</h1> <p>tel 1.541.323.3228 800 877.670.7118<br/>                 fax 1.541.323.4202 web tensility.com</p> |
| A         | 4/20/2020 | Initial release | JC<br><small>Digitally signed by JC<br/>                 Date: 2020.04.21<br/>                 14:43:43 -07'00'</small> | RoHS compliant  |   |
|           |           |                 | Verified:   | Phthalate and halogen free  | Size: Part number:<br>A 30-01456  |
|           |           |                 | AW<br><small>Digitally signed by AW<br/>                 Date: 2020.04.21<br/>                 16:40:31 -07'00'</small> | Description:  |   |
|           |           |                 | Dimensions are in millimeters.<br>Tolerances:<br>X: $\pm 0.5$ mm<br>X.X: $\pm 0.3$ mm<br>X.XX: $\pm 0.05$ mm            | Wire, 5C TS, 24 AWG, 21509, 600V, 105C, 4.7 mm, shielded, FT2, mPPE | Scale: 10:1   |
|           |           |                 |   |   |  Sheet 1 of 1                      |

5

4

3

2

1