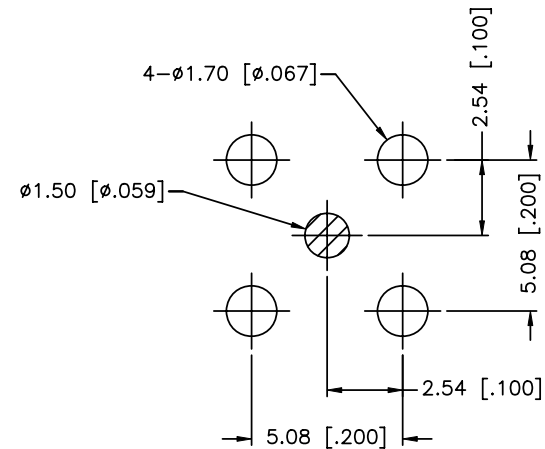
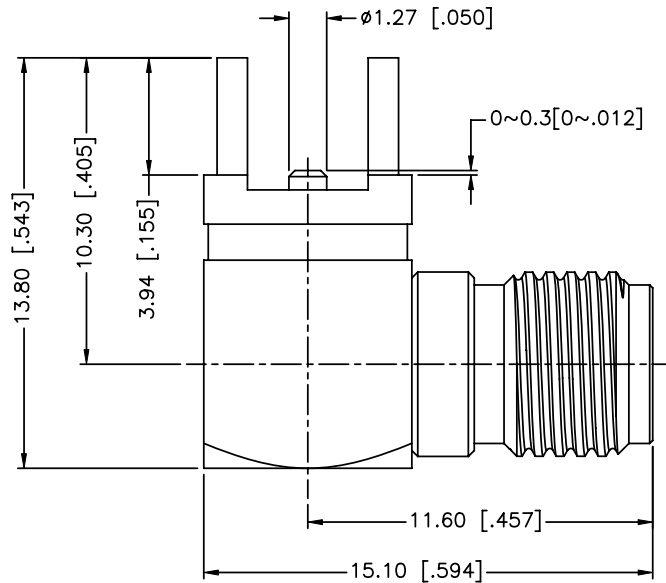
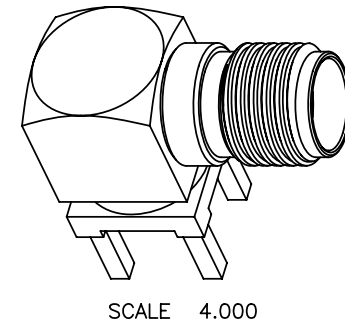
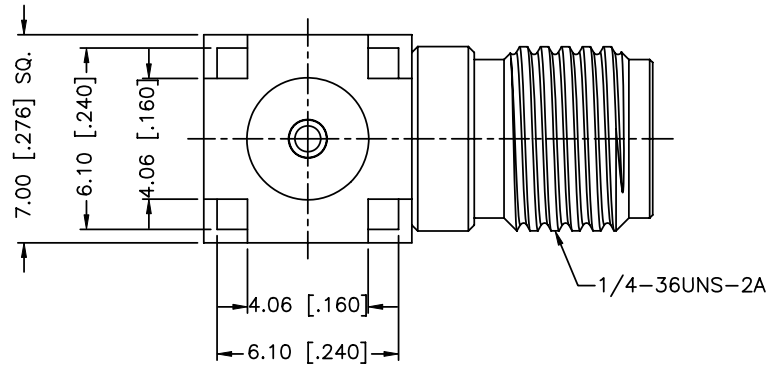


REV.	DATE	ECR NO.	DESCRIPTION
NC	03/28/06	xxxx	INITIAL RELEASE
A	02/22/13	2448	MODIFY PCB MOUNTING HOLES, UPDATE DRAWING FORMAT



PCB MOUNTING HOLES

1. IMPEDANCE: 50 OHM
2. FREQUENCY RANGE: DC 0-18 GHz
3. VSWR: 1.5 MAX.
4. DIELECTRIC WITHSTANDING VOLTAGE: 1000 VRMS, MIN.
5. DURABILITY: 500 CYCLES MIN.
6. TEMPERATURE RANGE: -65°C TO +165°C

UNLESS OTHERWISE SPECIFIED DIMENSIONS ARE IN MILLIMETERS. DIMENSIONS IN [ ] ARE IN INCHES AND FOR CUSTOMER REFERENCE ONLY. UNLESS OTHERWISE SPECIFIED TOLERANCES FOR MILLIMETERS ARE:  
 <0.5 ± 0.05mm  
 0.5 - 6mm ± 0.10mm  
 6 - 30mm ± 0.20mm  
 30 - 120mm ± 0.30mm  
 ANGLES ± 1°  
 UNLESS OTHERWISE SPECIFIED TOLERANCES FOR INCHES ARE:  
 <.020 ± 0.002"  
 .020 - .236 = ± 0.004"  
 .236 - 1.180 = ± 0.007"  
 1.180 - 4.724 = ± 0.012"  
 ANGLES ± 1°

QTY	FINISH	MATERIAL	DESCRIPTION
1	NATURAL	PTFE	INSULATOR
1	GOLD	BER. COPPER	CONTACT PIN
1	NATURAL	PTFE	INSULATOR
1	GOLD	BRASS	HOUSING WITH BODY
QTY	FINISH	MATERIAL	DESCRIPTION

APPROVALS	DATE
DRAWN R.MAO	02/22/13
CHECKED	
ISSUED	
SHEET 1 OF 1	
CAD FILE	C:/CONNEX/132136-12.DWG

PART DESCRIPTION	
<b>Amphenol Connex</b>	
SMA R/A P.C. MOUNT JACK SURFACE MOUNT CENTER CONTACT	
PART NO.	
132136-12	
DWG. NO.	REV.
132136-12.DWG	A
SIZE	SCALE
A	NA

DO NOT SCALE DRAWING