



# T HANDLE COMPRESSION LOCK | VERSION 1



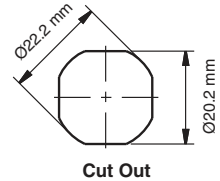
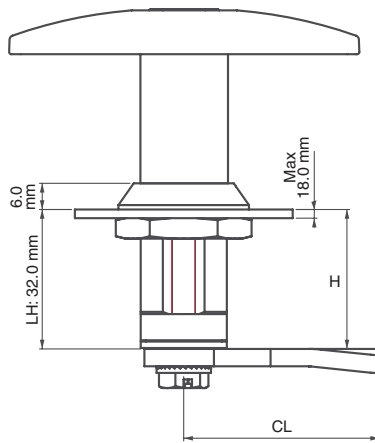
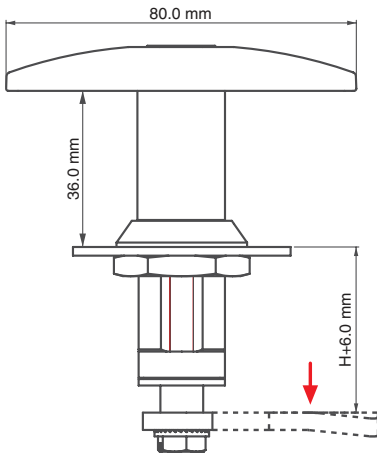
\*Example with cam. Cam sold separately.

### Specifications

- Material:
  - Housing: Zinc Alloy (Zamak) DIN-EN 1774-ZnAl4Cu1
  - Handle: Zinc Alloy (Zamak) DIN-EN 1774-ZnAl4Cu1
  - Cam: Steel
  - Gasket: Rubber
- Finish: Chrome or black coated
- Provides 6 mm of compression

### Features

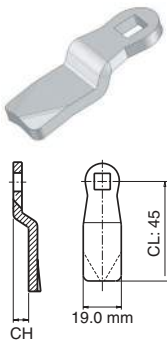
- Used for enclosures that require better sealing under vibrating conditions
- Provides noise isolation
- Standard cams without stopper required
- Applications: Railway applications, construction equipment, electric panels, machinery covers



### Version 1

Item Number			
Chrome	Black	Cylinder	Cam
2401110000	2401120000	No cylinder	Select Cam Below
2401110300	2401120300	Stainless dust cap (keyed alike)	Select Cam Below

### Steel Cam



Item Number	CH (mm)	CL (mm)	H (mm)
30403117	0.0	45.0	32.0
30403557	1.0	45.0	33.0
30403581	2.0	45.0	34.0
30403054	3.0	45.0	35.0
30403197	4.0	45.0	36.0
30403128	6.0	45.0	38.0
30403583	8.0	45.0	40.0
30403584	10.0	45.0	42.0
30403123	12.0	45.0	44.0
30403422	14.0	45.0	46.0
30403410	16.0	45.0	48.0

Item Number	CH (mm)	CL (mm)	H (mm)
30403429	18.0	45.0	50.0
30403585	20.0	45.0	52.0
30403586	22.0	45.0	54.0
30403411	24.0	45.0	56.0
30403425	-2.0	45.0	30.0
30403198	-4.0	45.0	28.0
30403423	-6.0	45.0	26.0
30403412	-8.0	45.0	24.0
30403552	-10.0	45.0	22.0
30403587	-12.0	45.0	20.0
30403420	-14.0	45.0	18.0