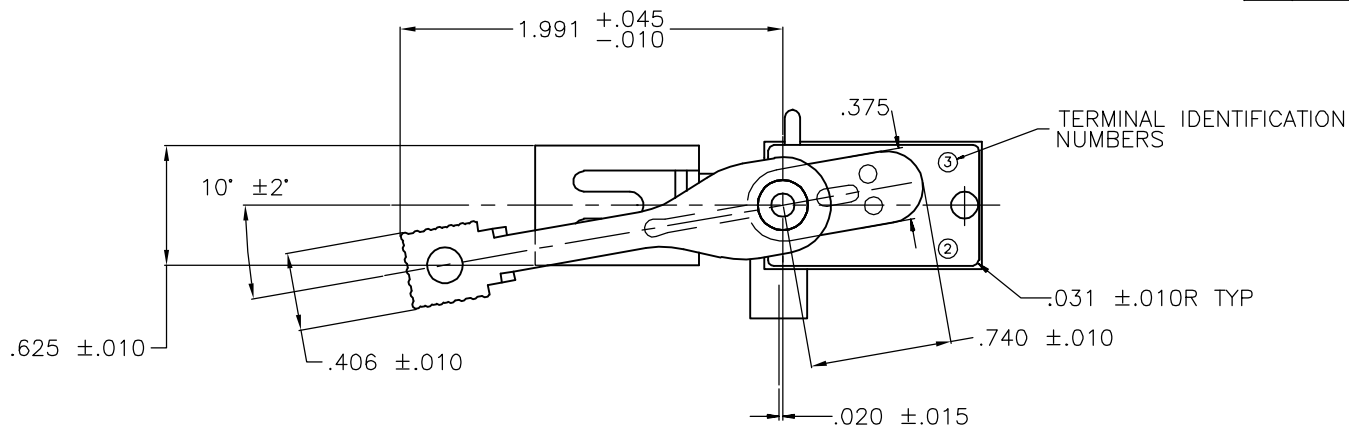
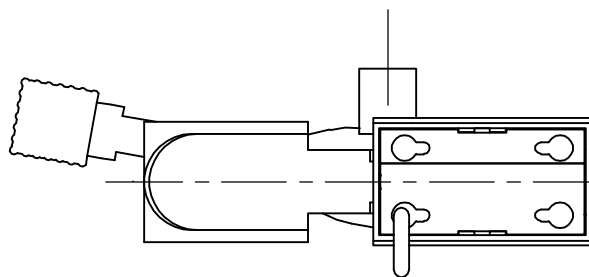
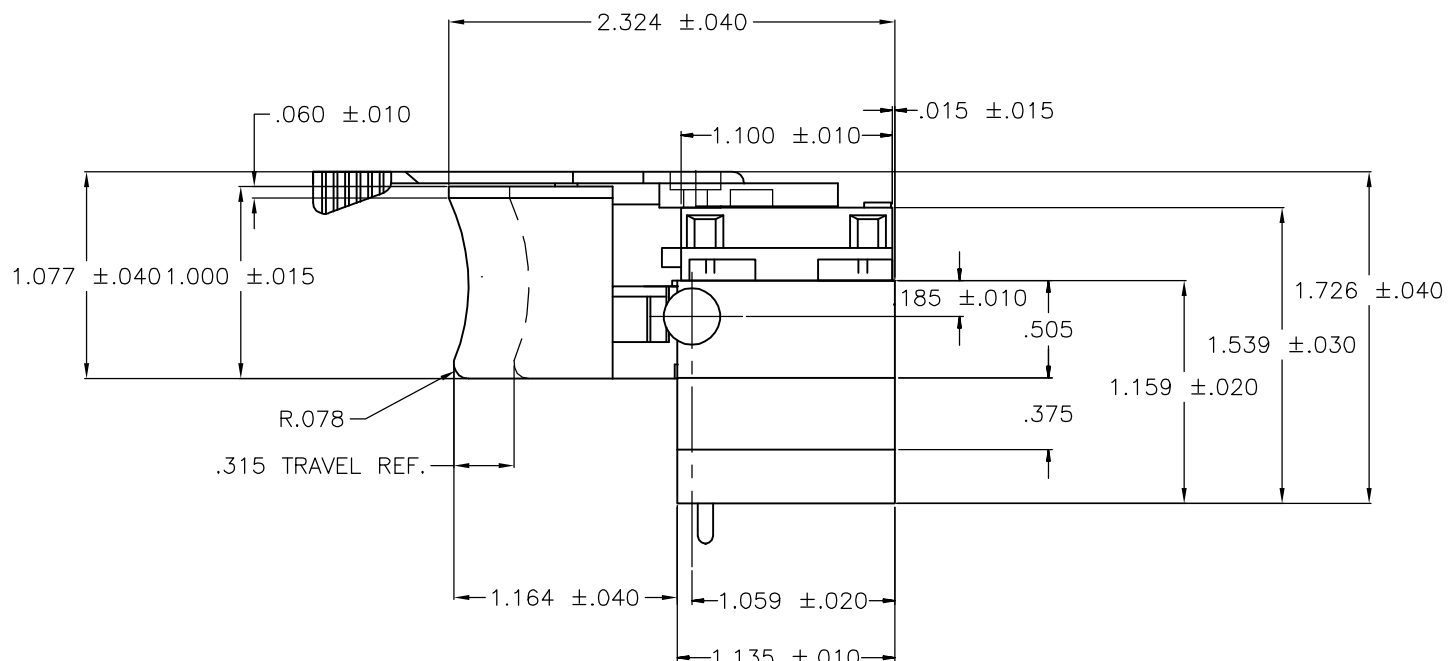
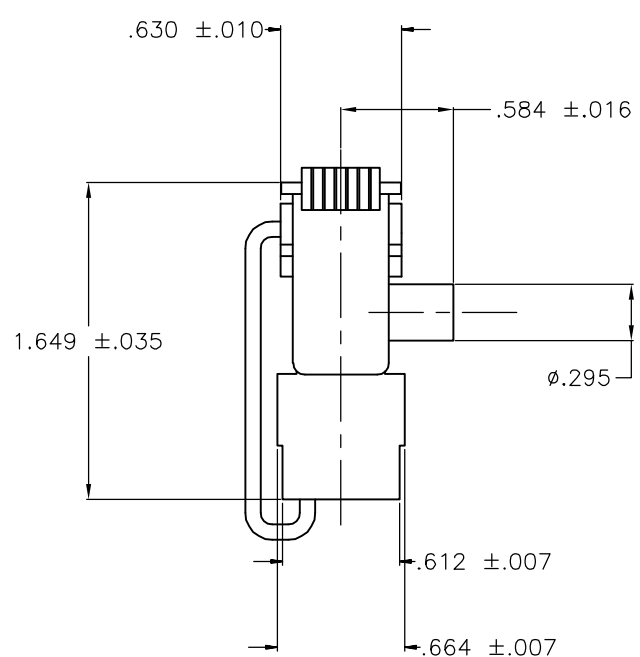


THIS DRAWING IS UNPUBLISHED. RELEASED FOR PUBLICATION
 © COPYRIGHT BY TYCO ELECTRONICS CORPORATION. ALL RIGHTS RESERVED.

LOC	DIST	REVISIONS					
AD	00	P	LTR	DESCRIPTION	DATE	DWN	APVD
			B	REVISED PER EC-0G3G-0005-05	27NOV06	GS	MG



- PUSH-IN AND REVERSING SWITCH TERMINAL OPENINGS TO RECEIVE #18 OR #20 GA. STRANDED TINNED LEADS. PUSH-IN TERMINAL WIRE STRIPPED LENGTH TO BE .250 - .400. REVERSING SWITCH STRIPPED LENGTH TO BE .188 - .250.



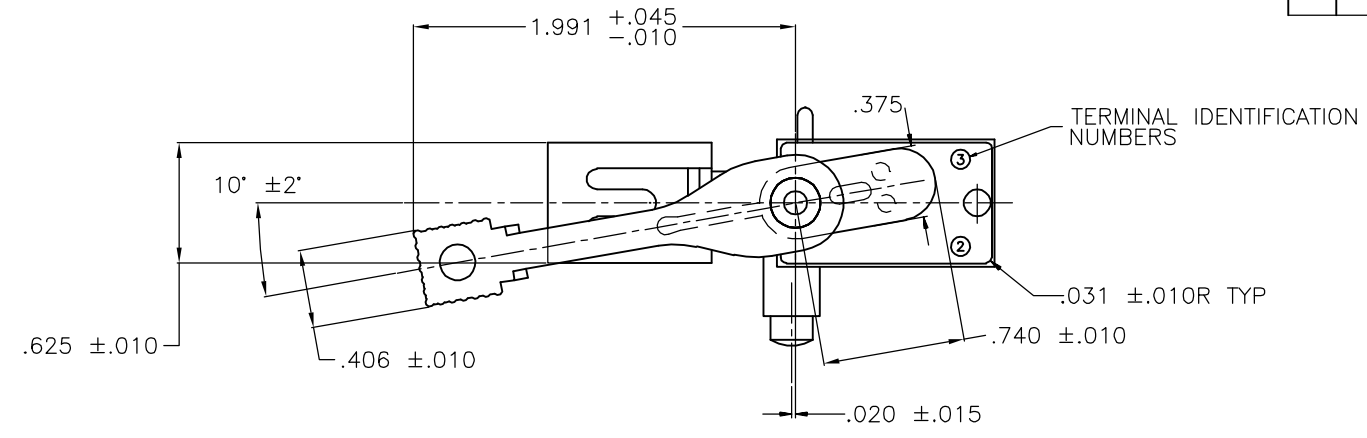
91-867

THIS DRAWING IS A CONTROLLED DOCUMENT.		DWN C. DOBBS 14APR98	Tyco Electronics Corporation Harrisburg, Pa 17105-3608	
DIMENSIONS: INCHES		CHK W. Leonard 14APR98		
TOLERANCES UNLESS OTHERWISE SPECIFIED:		APVD J. HENDERSON 15APR98	NAME 8907 SERIES - INLINE SWITCH WITH DUMMY BUSHING 6A 125VAC DOUBLE POLE SINGLE THROW Z-SPRING / D-PAK CONSTRUCTION	
0 PLC ± - 1 PLC ± - 2 PLC ± - 3 PLC ± .005 4 PLC ± - ANGLES ± 1'		PRODUCT SPEC -	SIZE A3	
MATERIAL -		FINISH -	APPLICATION SPEC -	CAGE CODE 00779
		WEIGHT -	DRAWING NO C-1520076	RESTRICTED TO -
CUSTOMER DRAWING			SCALE 1:1	SHEET 1 OF 10
			REV B	

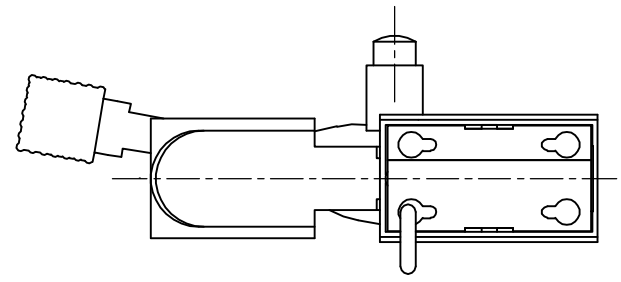
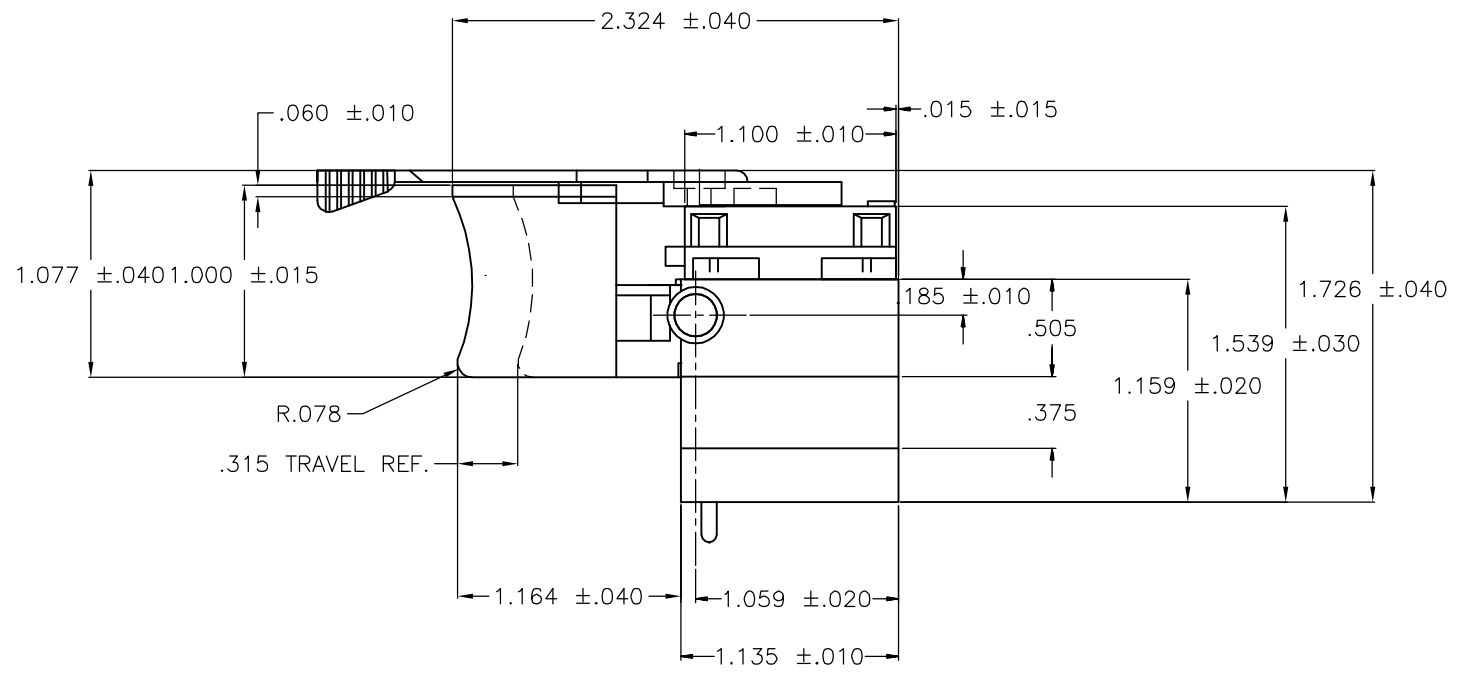
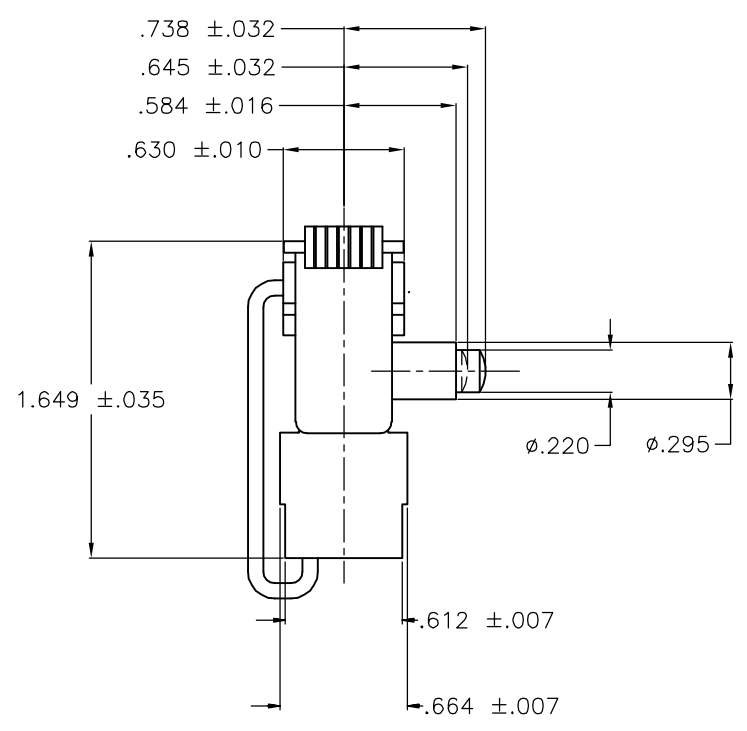
1520076-1	8907K255	BLACK	BLACK
TYCO NO.	ARAB NO.	TRIGGER COLOR	REVERSING LEVER COLOR

THIS DRAWING IS UNPUBLISHED. RELEASED FOR PUBLICATION
 © COPYRIGHT BY TYCO ELECTRONICS CORPORATION. ALL RIGHTS RESERVED.

LOC	DIST	REVISIONS					
AD	00	P	LTR	DESCRIPTION	DATE	DWN	APVD
				SEE SHEET 1			



- PUSH-IN AND REVERSING SWITCH TERMINAL OPENINGS TO RECEIVE #18 OR #20 GA. STRANDED TINNED LEADS. PUSH-IN TERMINAL WIRE STRIPPED LENGTH TO BE .250 - .400. REVERSING SWITCH STRIPPED LENGTH TO BE .188 - .250.



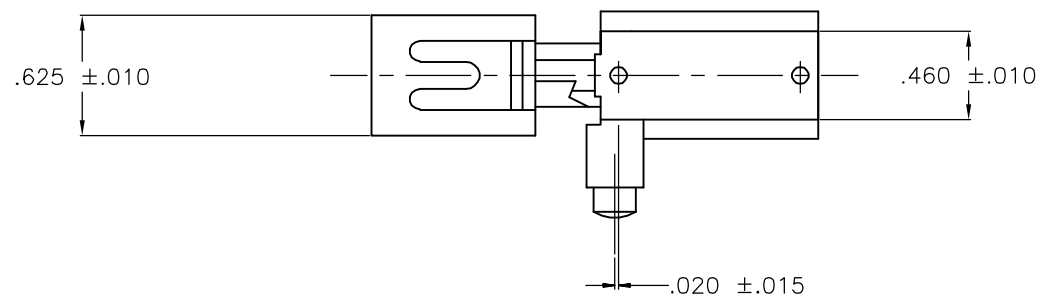
91-869

THIS DRAWING IS A CONTROLLED DOCUMENT.		DWN	C. DOBBS	14APR98	 Tyco Electronics Corporation Harrisburg, Pa 17105-3608		
DIMENSIONS: INCHES		CHK	W. Leonard	14APR98			
		APVD	J. HENDERSON	15APR98			
TOLERANCES UNLESS OTHERWISE SPECIFIED:		NAME			8907 SERIES - INLINE SWITCH 6A 125 VAC DOUBLE POLE SINGLE THROW Z-SPRING / D-PAK CONSTRUCTION		
0 PLC ± - 1 PLC ± - 2 PLC ± - 3 PLC ± .005 4 PLC ± - ANGLES ± 1'		PRODUCT SPEC					
MATERIAL		APPLICATION SPEC			SIZE	A3	
FINISH		WEIGHT			CAGE CODE	00779	
		CUSTOMER DRAWING			DRAWING NO	C-1520076	
		SCALE			1:1	SHEET	2 OF 10
		RESTRICTED TO				REV	B

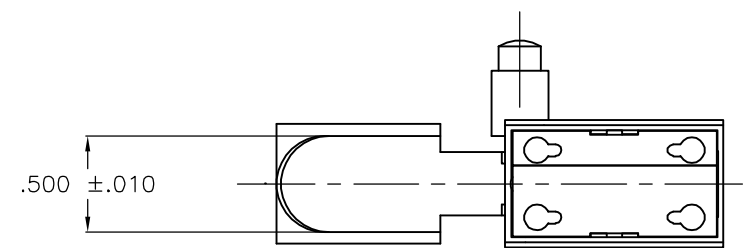
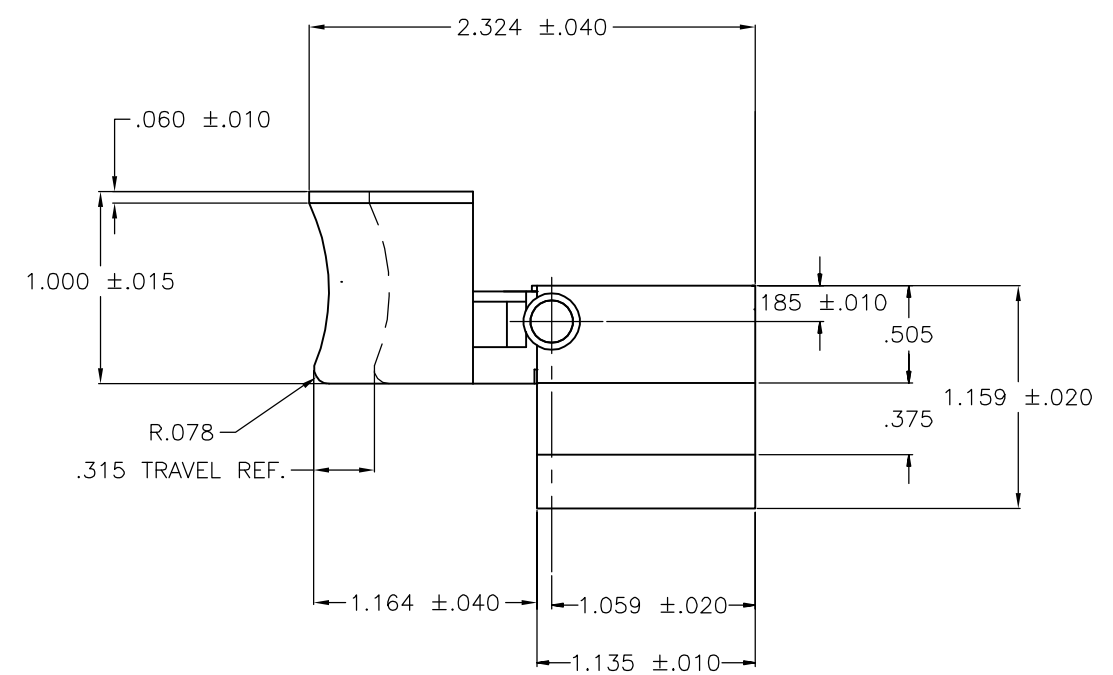
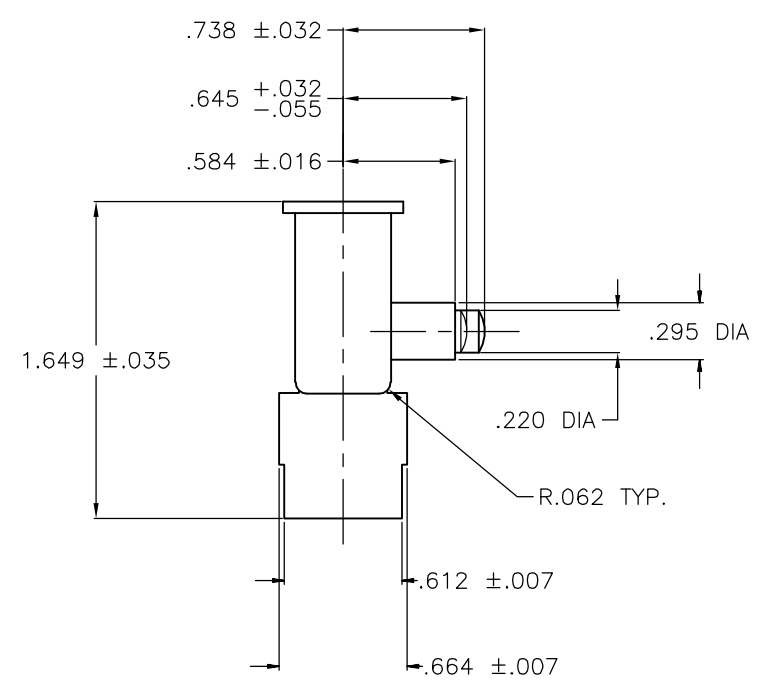
1520076-2	8907K256	BLACK	BLACK	BLACK
TYCO NO.	ARAB NO.	TRIGGER COLOR	REVERSING LEVER COLOR	LOCK PIN COLOR

THIS DRAWING IS UNPUBLISHED. RELEASED FOR PUBLICATION
 © COPYRIGHT BY TYCO ELECTRONICS CORPORATION. ALL RIGHTS RESERVED.

LOC	DIST	REVISIONS					
AD	00	P	LTR	DESCRIPTION	DATE	DWN	APVD
		-		SEE SHEET 1	-	-	-



1. PUSH-IN OPENINGS TO RECEIVE #18 OR #20 GA. STRANDED TINNED LEADS. PUSH-IN TERMINAL WIRE STRIPPED LENGTH TO BE .250 - .400.



91-867

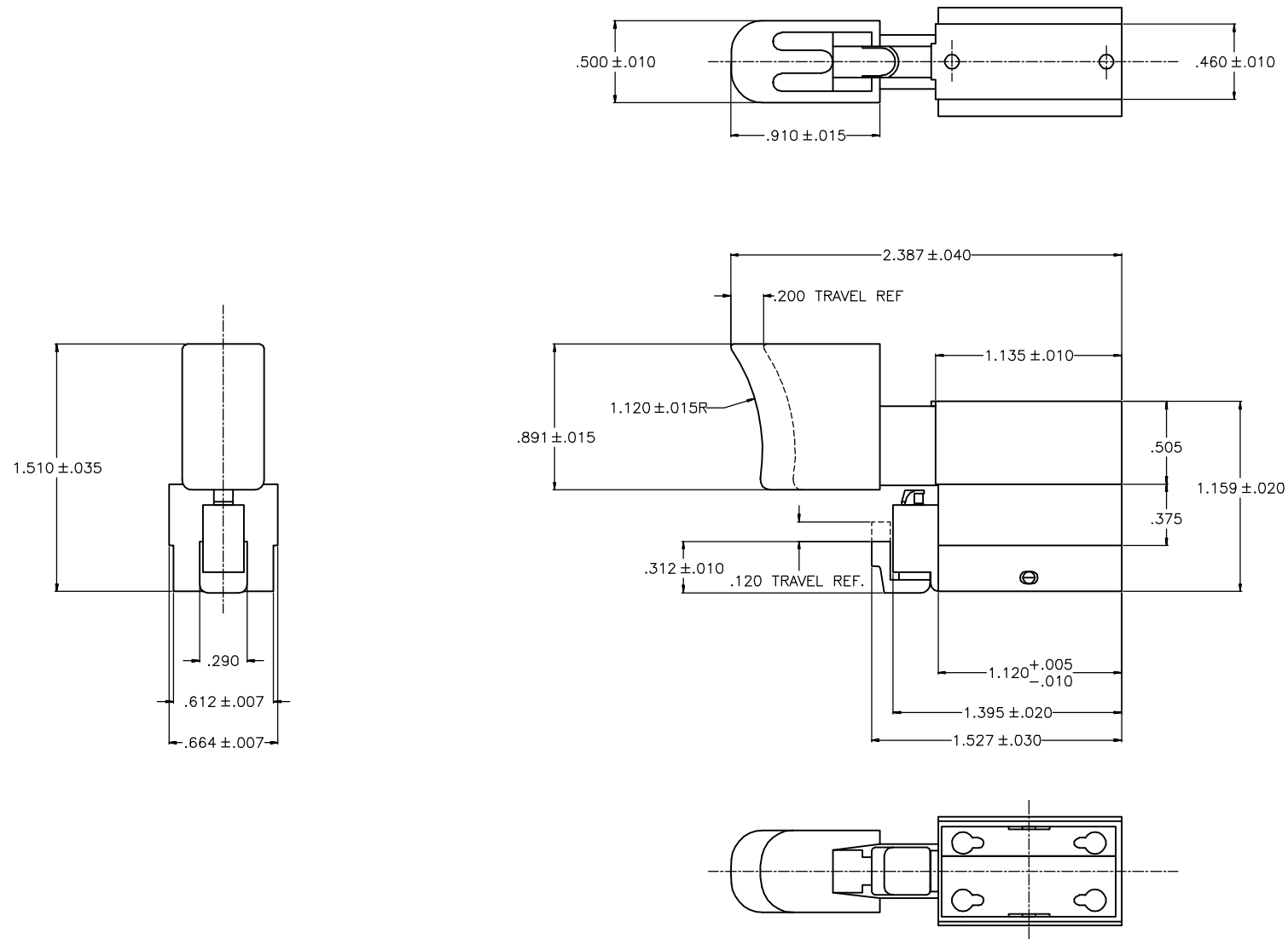
THIS DRAWING IS A CONTROLLED DOCUMENT.		DWN C. DOBBS 14APR98	Tyco Electronics Corporation Harrisburg, Pa 17105-3608	
DIMENSIONS: INCHES		CHK W. LeonarD 14APR98		
TOLERANCES UNLESS OTHERWISE SPECIFIED:		APVD J. HENDERSON 15APR98	NAME 8907 SERIES - INLINE SWITCH WITH DUMMY BUSHING 6A 125VAC DOUBLE POLE SINGLE THROW Z-SPRING / D-PAK CONSTRUCTION	
0 PLC ± - 1 PLC ± - 2 PLC ± - 3 PLC ± .005 4 PLC ± - ANGLES ± 1'		PRODUCT SPEC -	SIZE A3	
MATERIAL -		FINISH -	APPLICATION SPEC -	CAGE CODE 00779
		WEIGHT -	DRAWING NO C-1520076	RESTRICTED TO -
CUSTOMER DRAWING			SCALE 1:1	SHEET 3 OF 10
			REV B	

1520076-3	8907K257	BLACK	BLACK
TYCO NO.	ARAB NO.	TRIGGER COLOR	LOCK PIN COLOR

THIS DRAWING IS UNPUBLISHED. RELEASED FOR PUBLICATION
 © COPYRIGHT BY TYCO ELECTRONICS CORPORATION. ALL RIGHTS RESERVED.

LOC	DIST	REVISIONS					
AD	00	P	LTR	DESCRIPTION	DATE	DWN	APVD
				SEE SHEET 1			

- PUSH-IN AND REVERSING SWITCH TERMINAL OPENINGS TO RECEIVE #18 OR #20 GA. STRANDED TINNED LEADS. PUSH-IN TERMINAL WIRE STRIPPED LENGTH TO BE .250 - .400.



91-767

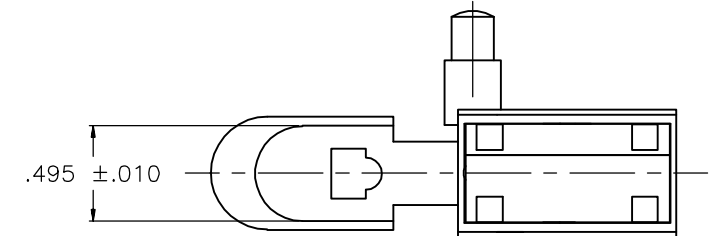
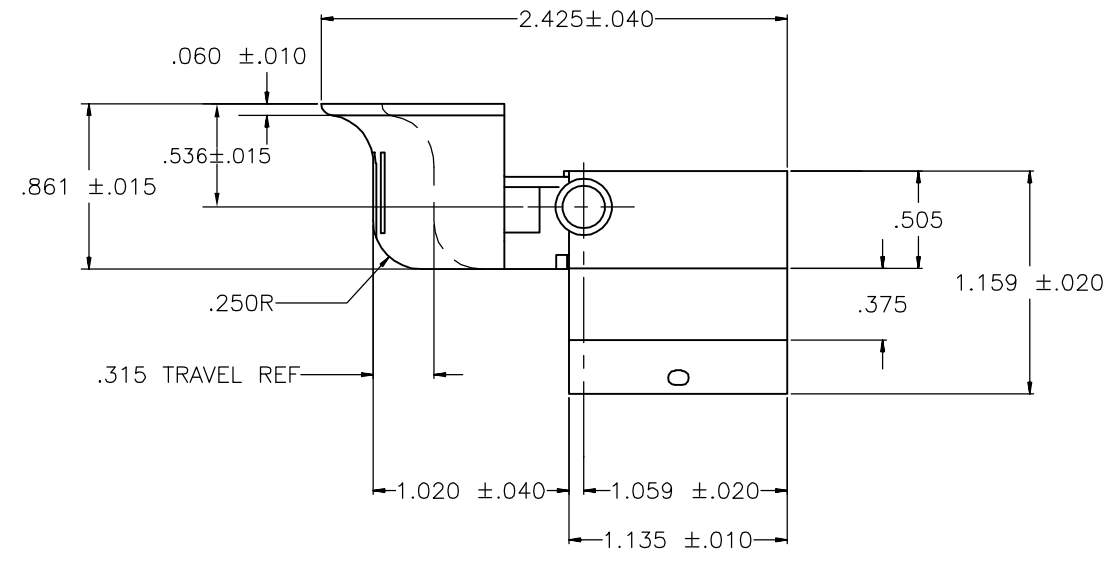
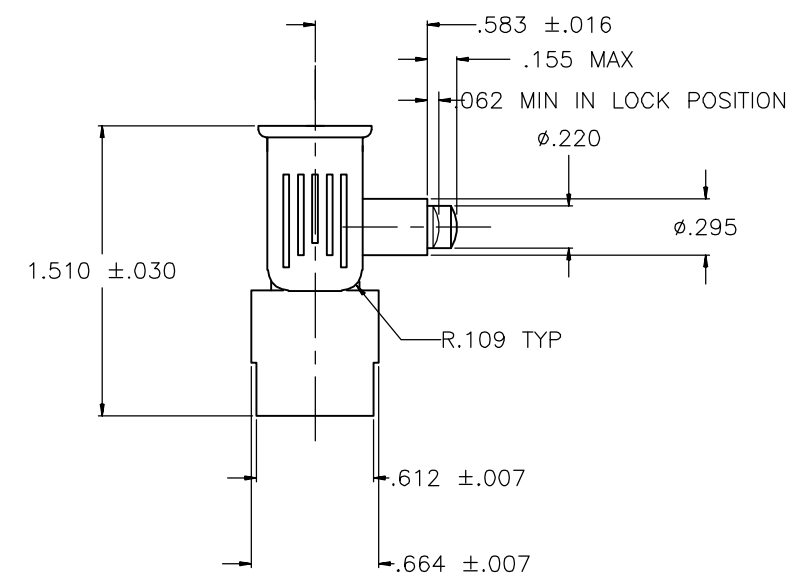
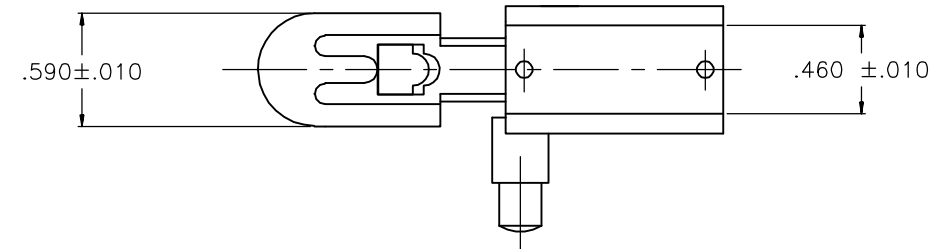
THIS DRAWING IS A CONTROLLED DOCUMENT.		DWN W. HANSON	13NOV96	tyco Electronics	Tyco Electronics Corporation Harrisburg, Pa 17105-3608			
DIMENSIONS: INCHES		CHK W. Leonard	15NOV96		NAME	8907 SERIES - INLINE SWITCH, 6A 125 VAC / 3A 250 VAC SPST WITH BUSSING SPEED CONTROL WITH Z-SPRING CONSTRUCTION		
TOLERANCES UNLESS OTHERWISE SPECIFIED:		APVD M.R. DUMMER	15NOV96	PRODUCT SPEC	SIZE	CAGE CODE	DRAWING NO	RESTRICTED TO
0 PLC ± -		APPLICATION SPEC		A3		00779	C-1520076	-
1 PLC ± -		MATERIAL		CUSTOMER DRAWING		SCALE	1:1	SHEET
2 PLC ± -		FINISH		SCALE		1:1	SHEET	4 OF 10
3 PLC ± .005		MATERIAL		SCALE		1:1	SHEET	4 OF 10
4 PLC ± -		FINISH		SCALE		1:1	SHEET	4 OF 10
ANGLES ± 1'		MATERIAL		SCALE		1:1	SHEET	4 OF 10
MATERIAL		FINISH		SCALE		1:1	SHEET	4 OF 10

1520076-4	8907K260	RED	BLACK
TYCO NO.	ARAB NO.	TRIGGER COLOR	LOCK PIN COLOR

THIS DRAWING IS UNPUBLISHED. RELEASED FOR PUBLICATION
 © COPYRIGHT - BY TYCO ELECTRONICS CORPORATION. ALL RIGHTS RESERVED.

LOC	DIST	REVISIONS					
AD	00	P	LTR	DESCRIPTION	DATE	DWN	APVD
		-		SEE SHEET 1	-	-	-

1. PUSH-IN TERMINAL OPENINGS TO RECEIVE #18 OR #20 GA. STRANDED TINNED LEADS. PUSH-IN TERMINAL WIRE STRIPPED LENGTH TO BE .250 - .400.



90-11436

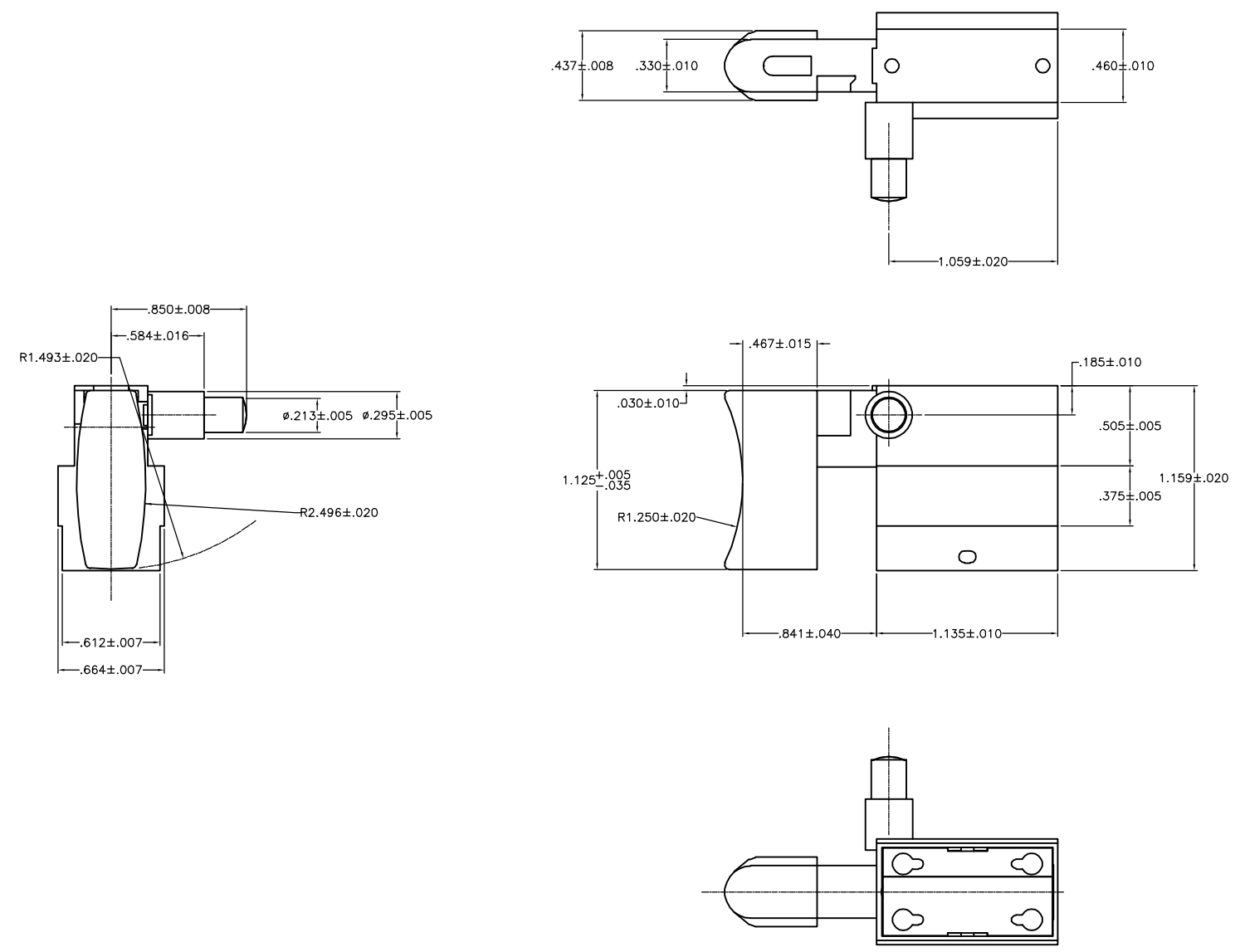
THIS DRAWING IS A CONTROLLED DOCUMENT.		DWN C. MARDIS 20JUL82	Tyco Electronics Corporation Harrisburg, Pa 17105-3608	
DIMENSIONS: INCHES		CHK K. COLLINS 22JUL82	NAME 8907 SERIES - INLINE SWITCH 4A 125VAC DPST DISCRETE COMPONENT CONSTRUCTION	
TOLERANCES UNLESS OTHERWISE SPECIFIED:		APVD B. NEWLAND 23SEP82	PRODUCT SPEC	
0 PLC ± - 1 PLC ± - 2 PLC ± - 3 PLC ± .005 4 PLC ± - ANGLES ± 1°		APPLICATION SPEC		
MATERIAL		WEIGHT	SIZE A3	CAGE CODE 00779
		DRAWING NO C-1520076		RESTRICTED TO
CUSTOMER DRAWING			SCALE 1:1	SHEET 5 OF 10
			REV B	

1520076-5	8907K269	RED	RED	OBSOLETE
TYCO NO.	ARAB NO.	TRIGGER COLOR	LOCK PIN COLOR	

THIS DRAWING IS UNPUBLISHED. RELEASED FOR PUBLICATION
 © COPYRIGHT - BY TYCO ELECTRONICS CORPORATION. ALL RIGHTS RESERVED.

LOC	DIST	REVISIONS			
P	LTR	DESCRIPTION	DATE	DWN	APVD
		SEE SHEET 1	-	-	-

- PUSH-IN TERMINAL OPENINGS TO RECEIVE #18 OR #20 GA. STRANDED TINNED LEADS. PUSH-IN TERMINAL WIRE STRIPPED LENGTH TO BE .250 - .400.



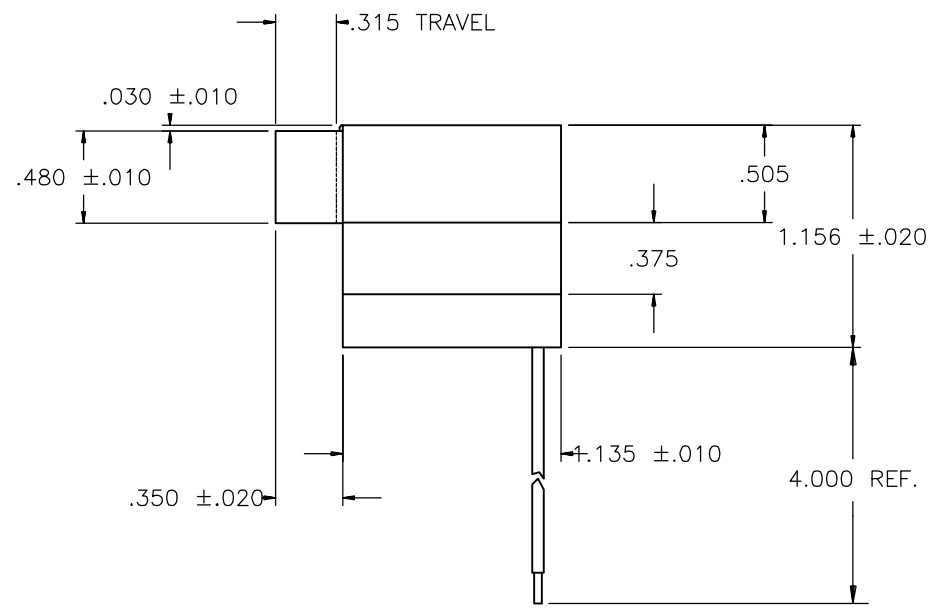
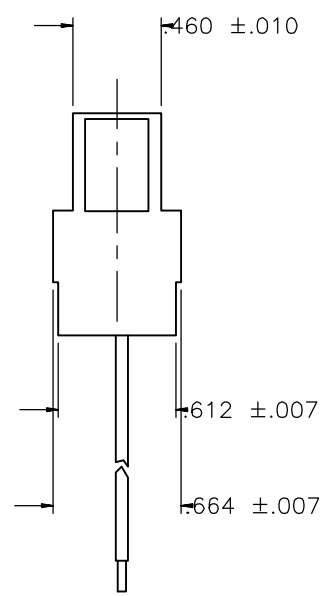
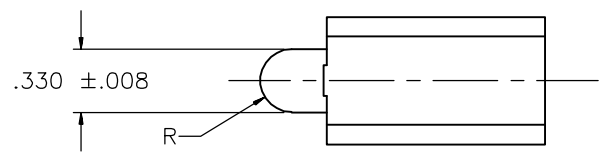
91-889

THIS DRAWING IS A CONTROLLED DOCUMENT.		DWN W. Leonard	08AUG98	Tyco Electronics Corporation Harrisburg, Pa 17105-3608	
DIMENSIONS: INCHES		CHK W. HANSON	14OCT98		
TOLERANCES UNLESS OTHERWISE SPECIFIED:		APVD J. HENDERSON	14OCT98	NAME 8907 SERIES - INLINE SWITCH, 4A 125 VAC DOUBLE POLE SINGLE THROW WITH Z-SPRING CONSTRUCTION	
0 PLC ± - 1 PLC ± - 2 PLC ± - 3 PLC ± .005 4 PLC ± - ANGLES ± 1'		PRODUCT SPEC -		RESTRICTED TO -	
MATERIAL -		FINISH -		SIZE A3	CAGE CODE 00779
		WEIGHT -		DRAWING NO C-1520076	
CUSTOMER DRAWING				SCALE 1:1	SHEET 6 OF 10
				REV B	

1520076-6	8907K270	BLACK	BLACK
TYCO NO.	ARAB NO.	TRIGGER COLOR	LOCK PIN COLOR

THIS DRAWING IS UNPUBLISHED. RELEASED FOR PUBLICATION
 © COPYRIGHT - BY TYCO ELECTRONICS CORPORATION. ALL RIGHTS RESERVED.

LOC		DIST		REVISIONS					
AD		00		P	LTR	DESCRIPTION	DATE	DWN	APVD
					-	SEE SHEET 1	-	-	-



90-11665

THIS DRAWING IS A CONTROLLED DOCUMENT.		DWN	C. MARDIS	16JUN83	Tyco Electronics Corporation Harrisburg, Pa 17105-3608	
DIMENSIONS: INCHES		CHK	C. MARDIS	16JUN83		
		APVD	J. SMITH	16JUN83	NAME	
TOLERANCES UNLESS OTHERWISE SPECIFIED:		PRODUCT SPEC		8907 SERIES - INLINE SWITCH, PEDDLE SWITCH		
0 PLC	± -	APPLICATION SPEC		6A 125 VAC DOUBLE POLE SINGLE THROW		
1 PLC	± -	WEIGHT		WITH DISCRETE COMPONENT CONSTRUCTION		
2 PLC	± -	CUSTOMER DRAWING		SIZE	CAGE CODE	DRAWING NO
3 PLC	± .005	SCALE		A3	00779	C-1520076
4 PLC	± -	SHEET		7		OF 10
ANGLES	± 1'	REV		B		
FINISH	-	RESTRICTED TO		-		

1520076-7	8907K275	BLACK
TYCO NO.	ARAB NO.	TRIGGER COLOR

THIS DRAWING IS UNPUBLISHED.

RELEASED FOR PUBLICATION

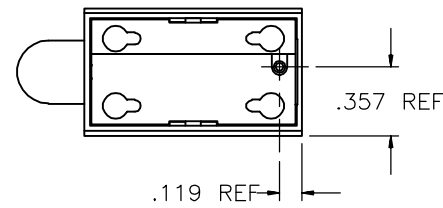
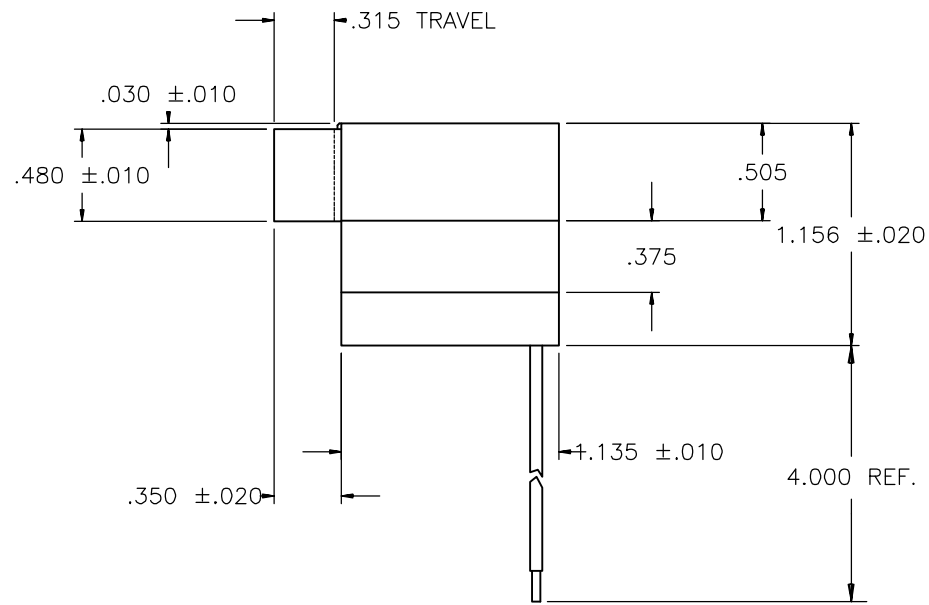
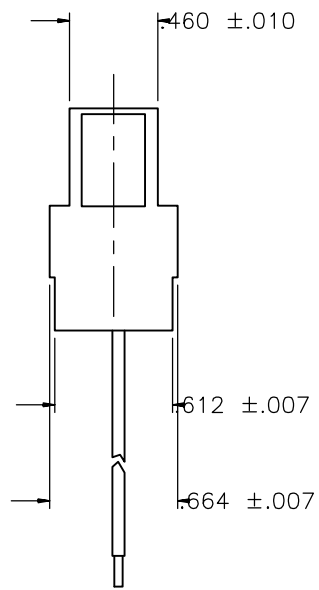
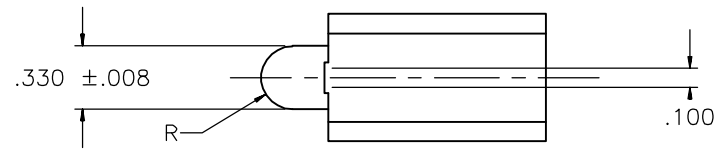
© COPYRIGHT - BY TYCO ELECTRONICS CORPORATION. ALL RIGHTS RESERVED.

LOC AD DIST 00

REVISIONS

P	LTR	DESCRIPTION	DATE	DWN	APVD
-	-	SEE SHEET 1	-	-	-

- PUSH-IN TERMINAL OPENINGS TO RECEIVE #18 OR #20 GA. STRANDED TINNED LEADS. PUSH-IN TERMINAL WIRE STRIPPED LENGTH TO BE .250 - .400.



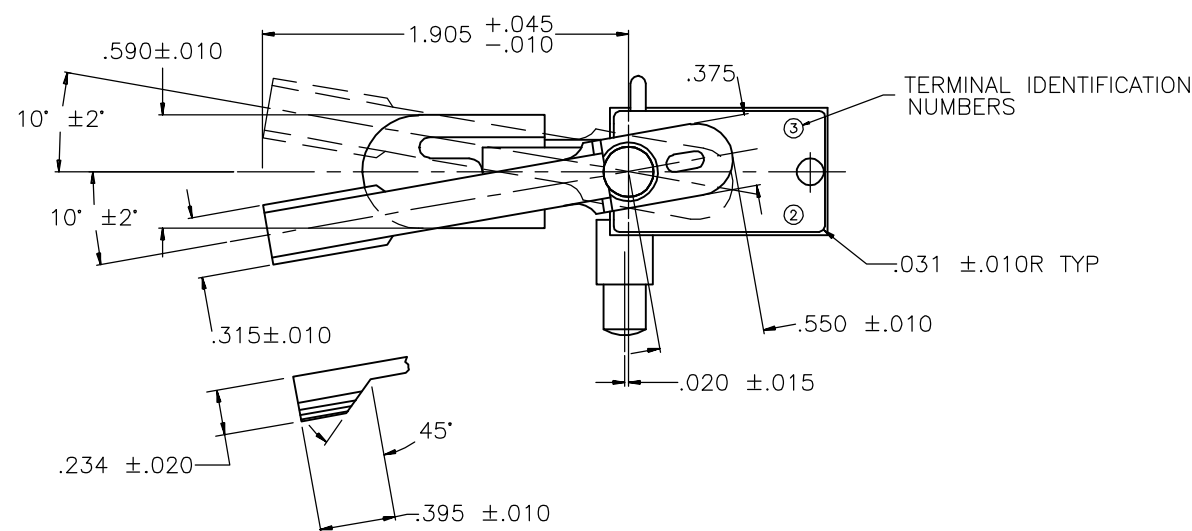
91-658

THIS DRAWING IS A CONTROLLED DOCUMENT.		DWN W. Leonard	20MAY96	Tyco Electronics Corporation Harrisburg, Pa 17105-3608	
DIMENSIONS: INCHES		CHK W. HANSON	21MAY96		
TOLERANCES UNLESS OTHERWISE SPECIFIED:		APVD F. CLICK	22MAY96	NAME 8907 SERIES - INLINE SWITCH, PEDDLE SWITCH 6A 125 VAC DPST WITH RFI LEAD, Z-SPRING WITH DISCRETE COMPONENT CONSTRUCTION	
0 PLC ± - 1 PLC ± - 2 PLC ± - 3 PLC ± .005 4 PLC ± - ANGLES ± 1'		PRODUCT SPEC		RESTRICTED TO	
MATERIAL		APPLICATION SPEC		SIZE	CAGE CODE
FINISH		WEIGHT		DRAWING NO	
-		-		A3 00779 C-1520076	
CUSTOMER DRAWING				SCALE	1:1
				SHEET	8 OF 10
				REV	B

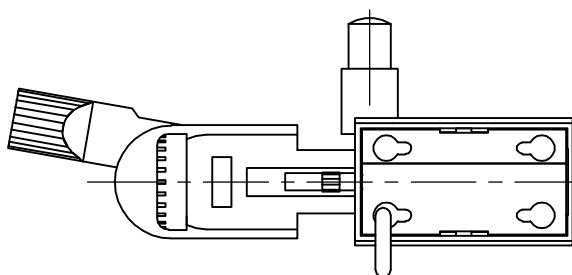
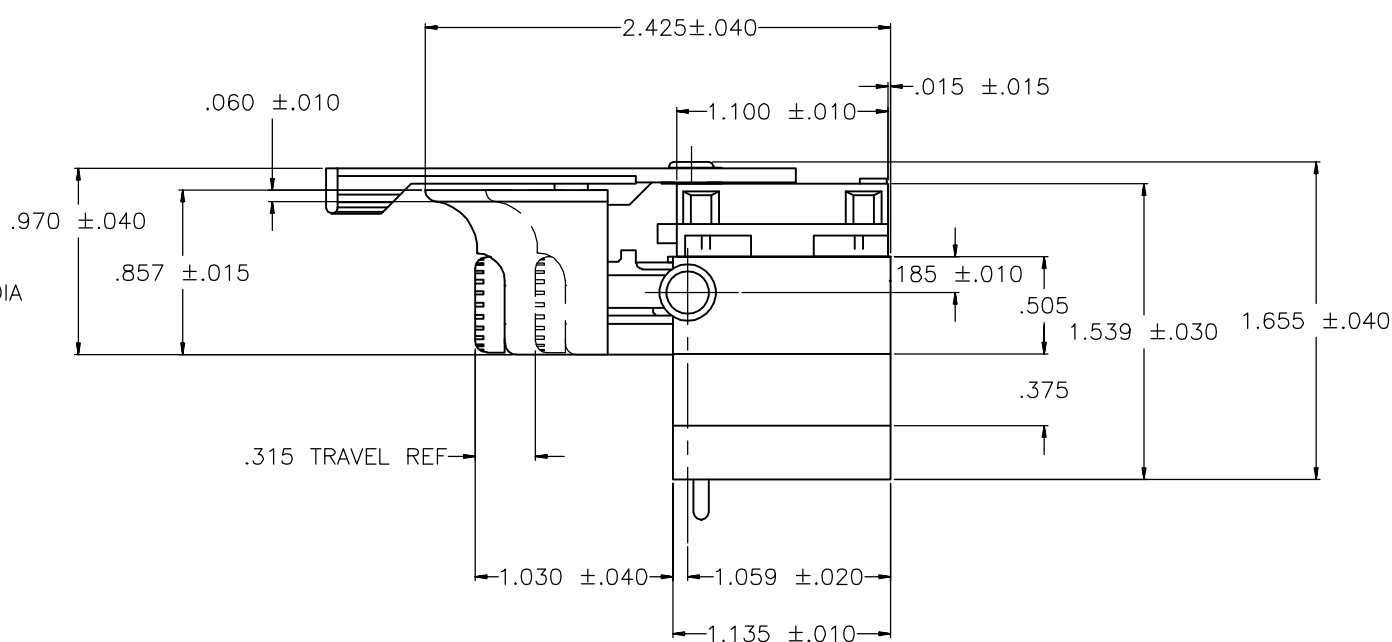
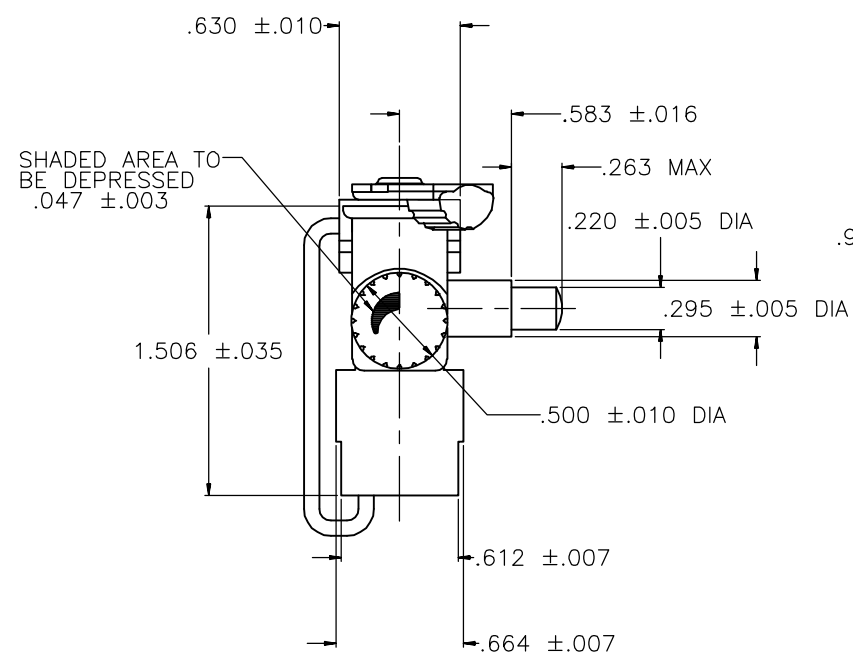
1520076-8	8907K278	BLACK
TYCO NO.	ARAB NO.	TRIGGER COLOR

THIS DRAWING IS UNPUBLISHED. RELEASED FOR PUBLICATION
 © COPYRIGHT BY TYCO ELECTRONICS CORPORATION. ALL RIGHTS RESERVED.

LOC	DIST	REVISIONS					
AD	00	P	LTR	DESCRIPTION	DATE	DWN	APVD
				SEE SHEET 1			



- PUSH-IN AND REVERSING SWITCH TERMINAL OPENINGS TO RECEIVE #18 OR #20 GA. STRANDED TINNED LEADS. PUSH-IN TERMINAL WIRE STRIPPED LENGTH TO BE .250 - .400. REVERSING SWITCH STRIPPED LENGTH TO BE .188 - .250.



91-869

THIS DRAWING IS A CONTROLLED DOCUMENT.		DWN W. HANSON 12NOV96	Tyco Electronics Corporation Harrisburg, Pa 17105-3608	
DIMENSIONS: INCHES		CHK W. Leonard 12NOV96		
TOLERANCES UNLESS OTHERWISE SPECIFIED:		APVD M.R. DUMMER 12NOV96	NAME 8907 SERIES - INLINE SWITCH 4A 125 VAC SPST WITH BUSSING SPEED CONTROL Z-SPRING / D-PAK CONSTRUCTION	
0 PLC ± - 1 PLC ± - 2 PLC ± - 3 PLC ± .005 4 PLC ± - ANGLES ± 1'		PRODUCT SPEC -	SIZE A3	
MATERIAL -		FINISH -	APPLICATION SPEC -	CAGE CODE 00779
		WEIGHT -	DRAWING NO C-1520076	RESTRICTED TO -
		CUSTOMER DRAWING		SCALE 1:1
				SHEET 9 OF 10
				REV B

1-1520076-0	8907K295	BLACK	BLACK	BLACK	BLACK
TYCO NO.	ARAB NO.	TRIGGER COLOR	REVERSING LEVER COLOR	SPEED WHEEL COLOR	LOCK PIN COLOR

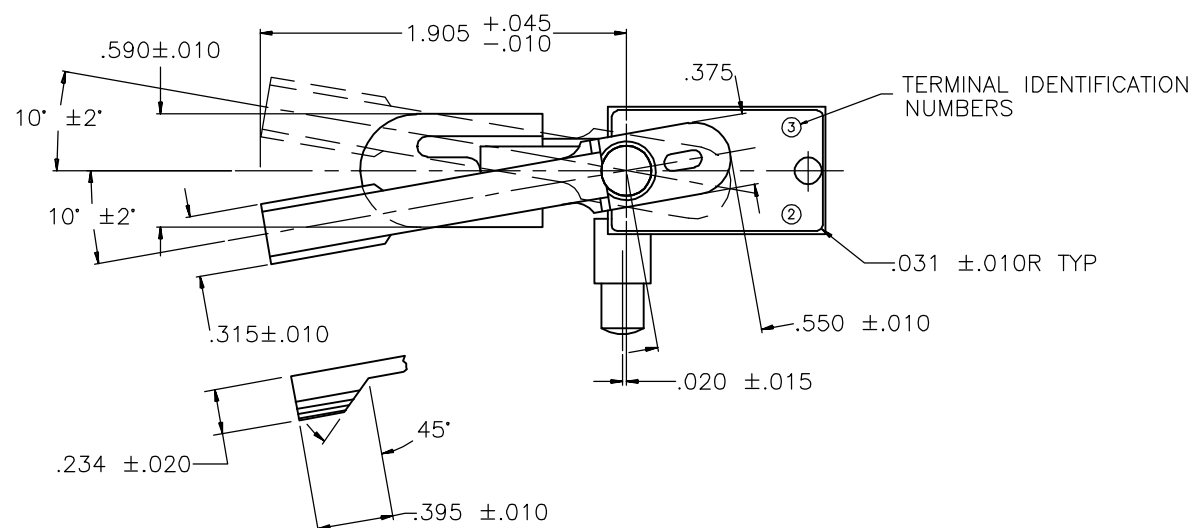
THIS DRAWING IS UNPUBLISHED. RELEASED FOR PUBLICATION

© COPYRIGHT BY TYCO ELECTRONICS CORPORATION. ALL RIGHTS RESERVED.

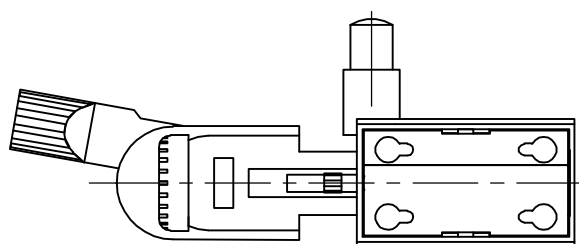
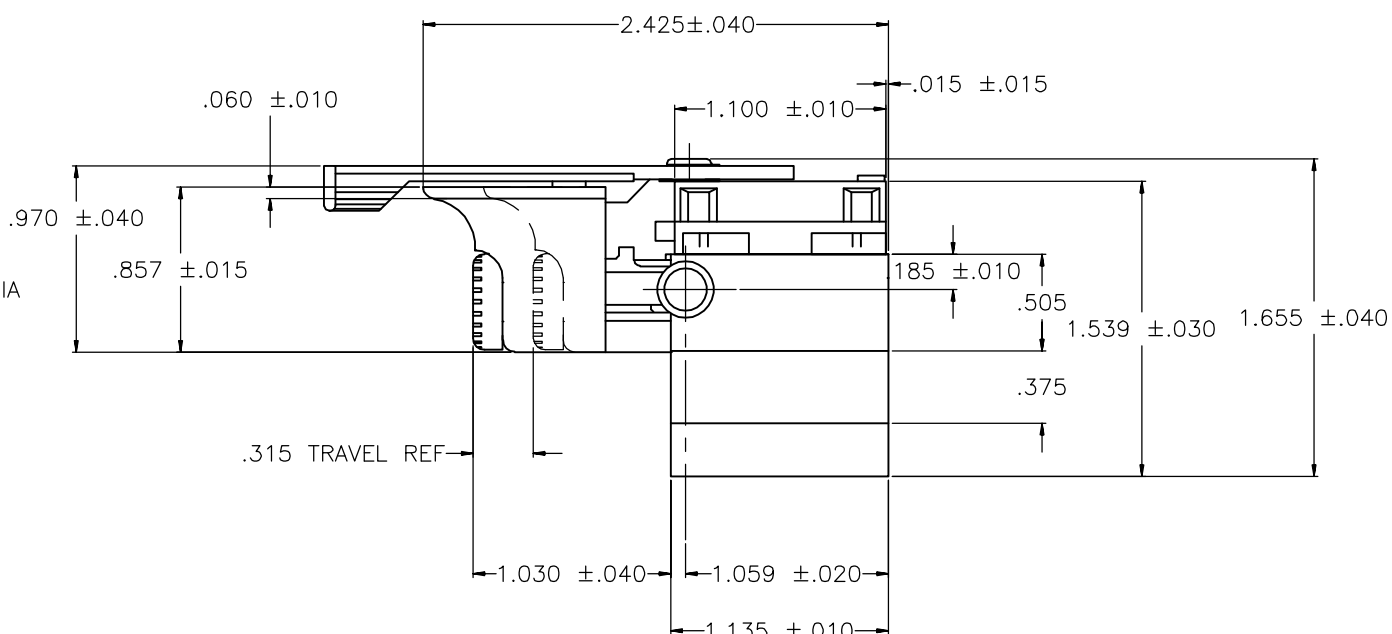
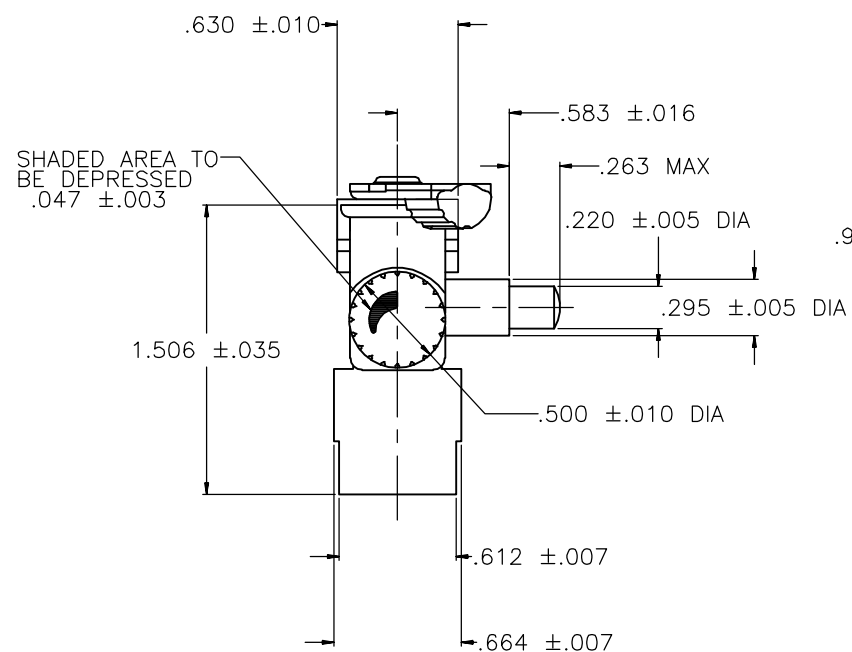
LOC AD DIST 00

REVISIONS

P	LTR	DESCRIPTION	DATE	DWN	APVD
-	-	SEE SHEET 1	-	-	-



- PUSH-IN AND REVERSING SWITCH TERMINAL OPENINGS TO RECEIVE #18 OR #20 GA. STRANDED TINNED LEADS. PUSH-IN TERMINAL WIRE STRIPPED LENGTH TO BE .250 - .400. REVERSING SWITCH STRIPPED LENGTH TO BE .188 - .250.



THIS DRAWING IS A CONTROLLED DOCUMENT.

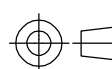
DWN W. LeonarD 14APR98



Tyco Electronics Corporation
Harrisburg, Pa 17105-3608

DIMENSIONS:
INCHES

TOLERANCES UNLESS
OTHERWISE SPECIFIED:



0 PLC	± -
1 PLC	± -
2 PLC	± -
3 PLC	± .005
4 PLC	± -
ANGLES	± 1°

CHK W. LeonarD

APVD W. HANSON

PRODUCT SPEC

APPLICATION SPEC

WEIGHT -

NAME
8907 SERIES - INLINE SWITCH
6A 125 VAC SPST WITH BUSSING SPEED CONTROL
Z-SPRING WITH DISCRETE COMPONENT CONSTRUCTION

SIZE	CAGE CODE	DRAWING NO	RESTRICTED TO
A3	00779	C-1520076	-

1520076-9	8907K292	BLACK	BLACK	BLACK	RED
TYCO NO.	ARAB NO.	TRIGGER COLOR	REVERSING LEVER COLOR	SPEED WHEEL COLOR	LOCK PIN COLOR

CUSTOMER DRAWING	SCALE 1:1	SHEET 10 OF 10	REV B
------------------	-----------	----------------	-------