

# SAC-3P- 5,0-116/A-1L-Z - Sensor/actuator cable



1453397

<https://www.phoenixcontact.com/us/products/1453397>

Please be informed that the data shown in this PDF document is generated from our online catalog. Please find the complete data in the user documentation. Our general terms of use for downloads are valid.



Sensor/actuator cable, 3-position, free cable end, on Valve connector A, with 1 LED, cable length: 5 m

## Commercial data

Item number	1453397
Packing unit	1 pc
Minimum order quantity	1 pc
Sales key	BF07
Product key	BF1DAA
GTIN	4046356552936
Weight per piece (including packing)	279.3 g
Weight per piece (excluding packing)	277.8 g
Customs tariff number	85444290
Country of origin	PL

# SAC-3P- 5,0-116/A-1L-Z - Sensor/actuator cable



1453397

<https://www.phoenixcontact.com/us/products/1453397>

## Technical data

### Product properties

Product type	Sensor/actuator cable with valve connector
Number of positions	3

### Insulation characteristics

Overvoltage category	III
Degree of pollution	3

### Material specifications

Flammability rating according to UL 94	V0
Seal material	TPU
Material housing valve plug	TPU
Contact material	CuSn
Valve plug contact insert material	PA 6.6
Contact surface material	Sn

### Electrical properties

Contact resistance	$\leq 5 \text{ m}\Omega$
Insulation resistance	$\geq 100 \text{ M}\Omega$
Nominal voltage $U_N$	24 V AC
	24 V DC
Nominal current $I_N$	4 A
Protective circuit	Z diode

### Signaling

Status display	1 LED
Status display present	Yes

### Connector

#### Connection 1

Type	free cable end
------	----------------

#### Connection 2

Type	Valve connector A
Material	CuSn (Contact)
	Sn (Contact surface)
	PA 6.6 (Contact carriers)
	TPU (Housing)

### Cable/line

Cable length	5 m
--------------	-----


PUR/PVC, 0.75 mm<sup>2</sup>, black [116]

# SAC-3P- 5,0-116/A-1L-Z - Sensor/actuator cable



1453397

<https://www.phoenixcontact.com/us/products/1453397>

Dimensional drawing	
Cable weight	53.4 kg/km
UL AWM Style	20549
Number of positions	3
Shielded	no
Cable type	PUR/PVC, 0.75 mm <sup>2</sup> , black [116]
Conductor structure signal line	24x 0.20 mm
AWG signal line	18
Conductor cross section	3x 0.75 mm <sup>2</sup>
Wire diameter incl. insulation	1.7 mm ±0.05 mm
External cable diameter	5.8 mm ±0.2 mm
Outer sheath, material	PUR
External sheath, color	black RAL 9005
Conductor material	Bare Cu litz wires
Material wire insulation	PVC
Single wire, color	black 1, black 2, green/yellow
Overall twist	3 wires, twisted
Max. conductor resistance	26 Ω/km (at 20 °C)
Insulation resistance	≥ 20 MΩ*km
Nominal voltage, cable	300 V
Test voltage	1200 V
Minimum bending radius, fixed installation	5 x D
Minimum bending radius, flexible installation	10 x D
Max. bending cycles	1000000
Flame resistance	DIN VDE 0482 DIN EN 50265-2-1 in acc. with UL FT-2
Resistance to oil	in accordance with DIN EN 60811-2-1
Other resistance	Low adhesion
Special properties	flexible
Ambient temperature (operation)	-40 °C ... 80 °C (cable, fixed installation) -5 °C ... 80 °C (Cable, flexible installation)

## Environmental and real-life conditions

### Ambient conditions

Degree of protection	IP65
----------------------	------

# SAC-3P- 5,0-116/A-1L-Z - Sensor/actuator cable



1453397

<https://www.phoenixcontact.com/us/products/1453397>

	IP67
Ambient temperature (operation)	-20 °C ... 85 °C (valve plug)
	-40 °C ... 80 °C (cable, fixed installation)
	-5 °C ... 80 °C (Cable, flexible installation)

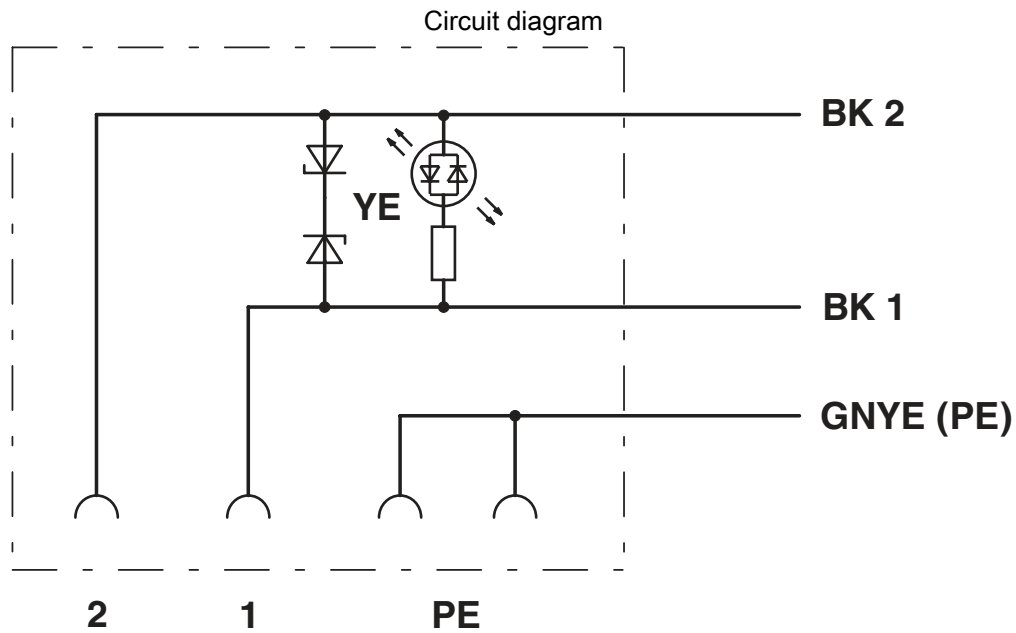
# SAC-3P- 5,0-116/A-1L-Z - Sensor/actuator cable



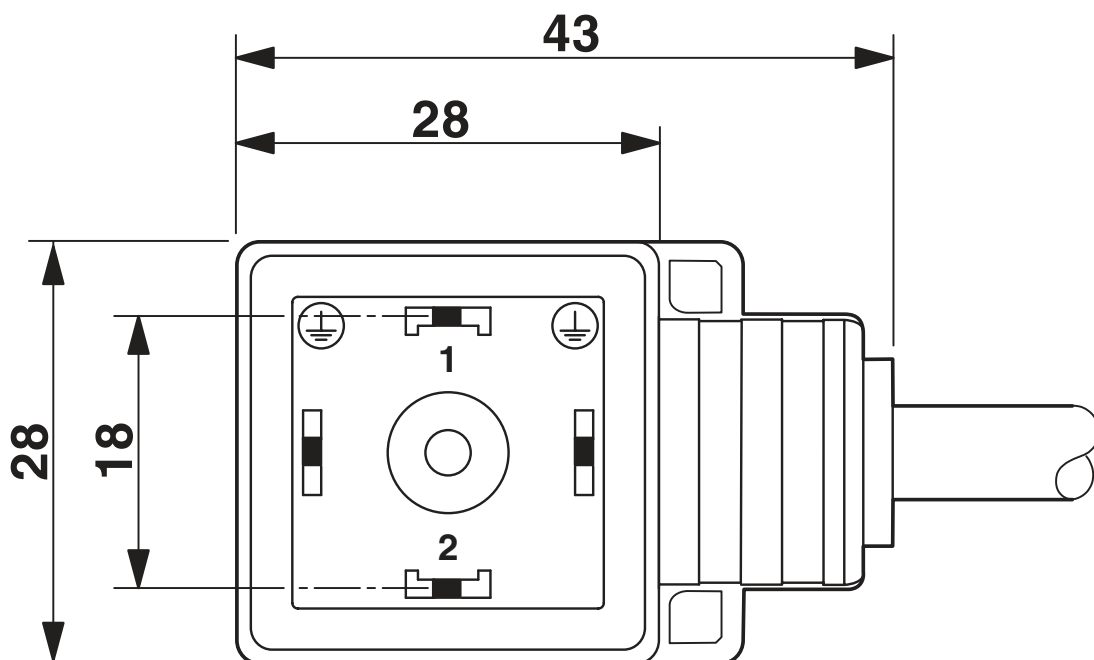
1453397

<https://www.phoenixcontact.com/us/products/1453397>

## Drawings



Dimensional drawing



Valve connector, type A

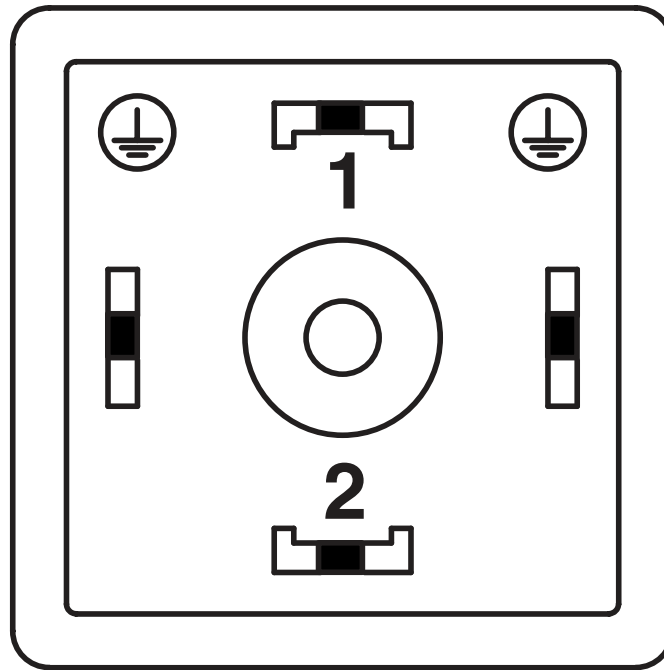
# SAC-3P- 5,0-116/A-1L-Z - Sensor/actuator cable

1453397

<https://www.phoenixcontact.com/us/products/1453397>

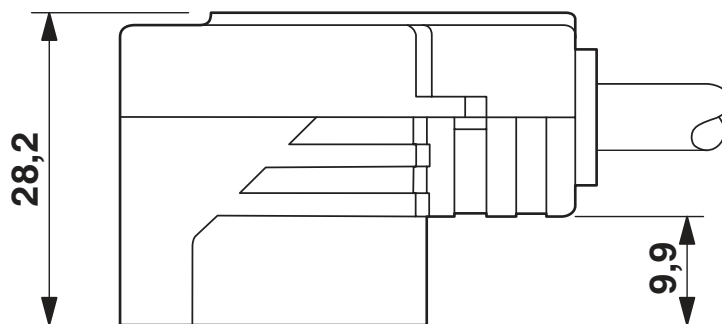


Schematic diagram



Valve connector pin assignment, type A

Dimensional drawing



Valve connector, type A, side view

# SAC-3P- 5,0-116/A-1L-Z - Sensor/actuator cable





1453397

<https://www.phoenixcontact.com/us/products/1453397>

## Approvals

To download certificates, visit the product detail page: <https://www.phoenixcontact.com/us/products/1453397>

 <b>CSA</b> Approval ID: 13631				
	Nominal voltage $U_N$	Nominal current $I_N$	Cross section AWG	Cross section $\text{mm}^2$
	24 V	4 A	-	-

 <b>CSAus</b> Approval ID: 13631				
	Nominal voltage $U_N$	Nominal current $I_N$	Cross section AWG	Cross section $\text{mm}^2$
	24 V	4 A	-	-

<b>cCSAus</b>				
---------------	--	--	--	--

# SAC-3P- 5,0-116/A-1L-Z - Sensor/actuator cable



1453397

<https://www.phoenixcontact.com/us/products/1453397>

## Classifications

### ECLASS

ECLASS-11.0	27060312
ECLASS-12.0	27060312
ECLASS-13.0	27060312

### ETIM

ETIM 8.0	EC001855
----------	----------

### UNSPSC

UNSPSC 21.0	31251500
-------------	----------



# SAC-3P- 5,0-116/A-1L-Z - Sensor/actuator cable



1453397

<https://www.phoenixcontact.com/us/products/1453397>

## Environmental product compliance

China RoHS	Environmentally Friendly Use Period = 50 years For information on hazardous substances, refer to the manufacturer's declaration available under "Downloads"
------------	--

# SAC-3P- 5,0-116/A-1L-Z - Sensor/actuator cable

1453397

<https://www.phoenixcontact.com/us/products/1453397>



## Accessories

### SAC-V-SCREW-M3-29 KNURL - Screw

1403779

<https://www.phoenixcontact.com/us/products/1403779>

Fillister head screw with plastic knurl, M3 x 40



---

Phoenix Contact 2023 © - all rights reserved  
<https://www.phoenixcontact.com>

Phoenix Contact USA  
586 Fulling Mill Road  
Middletown, PA 17057, United States  
(+717) 944-1300  
[info@phoenixcon.com](mailto:info@phoenixcon.com)