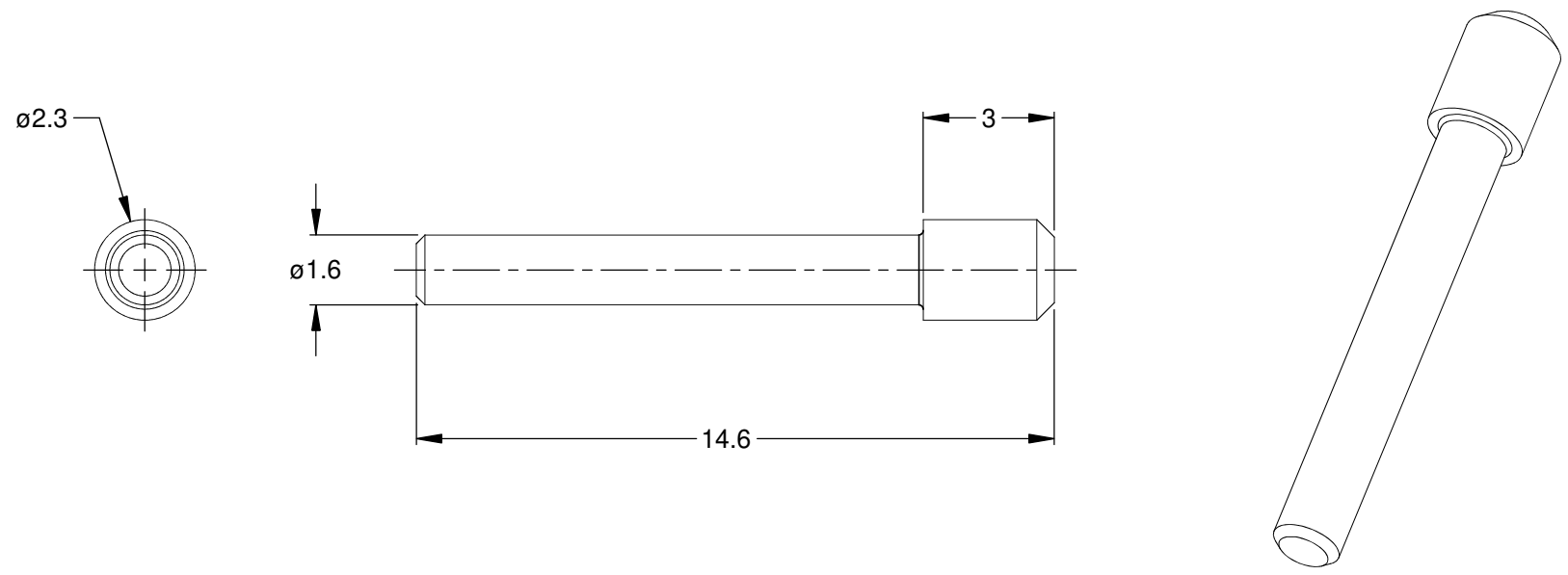


REVISIONS					
REV	ECO	DESCRIPTION	DATE	BY	APPR
A3	-	RELEASE NEW DWG FORMAT	06/AUG/13	DRP	-



NOTES: UNLESS OTHERWISE SPECIFIED

1. MATERIAL: THERMOPLASTIC; RoHS COMPLIANT
2. COLOR: WHITE
3. CONTACT SIZE: 20
4. USE WITH ATM SERIES CONNECTORS
5. ALL DIMENSIONS ARE FOR REFERENCE USE ONLY.

AT13-204-2005				
PART NUMBER		DESCRIPTION		ITEM
QUANTITY	MATERIALS LIST			
UNLESS OTHERWISE SPECIFIED 1) All dimensions are in metric(mm). 2) Tolerances are as follows: 1 PL DEC ±0.30 2 PL DEC ±0.15 3 PL DEC ±0.08 Fractions ±1/64 Angles ±1° 3) Note reference =	SIGNATURES		DATE	
	DRAWN: D.PARKS		06/AUG/13	
MATERIAL SPECIFICATIONS:	CHECKED:			
	ENGINEER:			
PROCESS SPECIFICATIONS:	APPROVAL:			
	CUSTOMER:			
NEXT ASS'Y:	THIS DRAWING IS SUPPLIED FOR INFORMATION ONLY. DESIGN FEATURES, SPECIFICATIONS AND PERFORMANCE DATA SHOWN HEREON ARE THE PROPERTY OF THE AMPHENOL CORPORATION. NO RIGHTS OF REPRODUCTION ARE IMPLIED. ALL DIMENSIONS ARE SUBJECT TO NORMAL MANUFACTURING VARIATIONS.			
SEAL, PLUG, SIZE 20, ATM SERIES		SIZE	TYPE	DWG NO:
		A	C-	AT13-204-2005
		SCALE: NONE		REVISION A3
			SHEET 1	OF 1

Amphenol

Sine Systems - www.amphenol-sine.com
44724 Morley Drive
Clinton Township, MI 48036