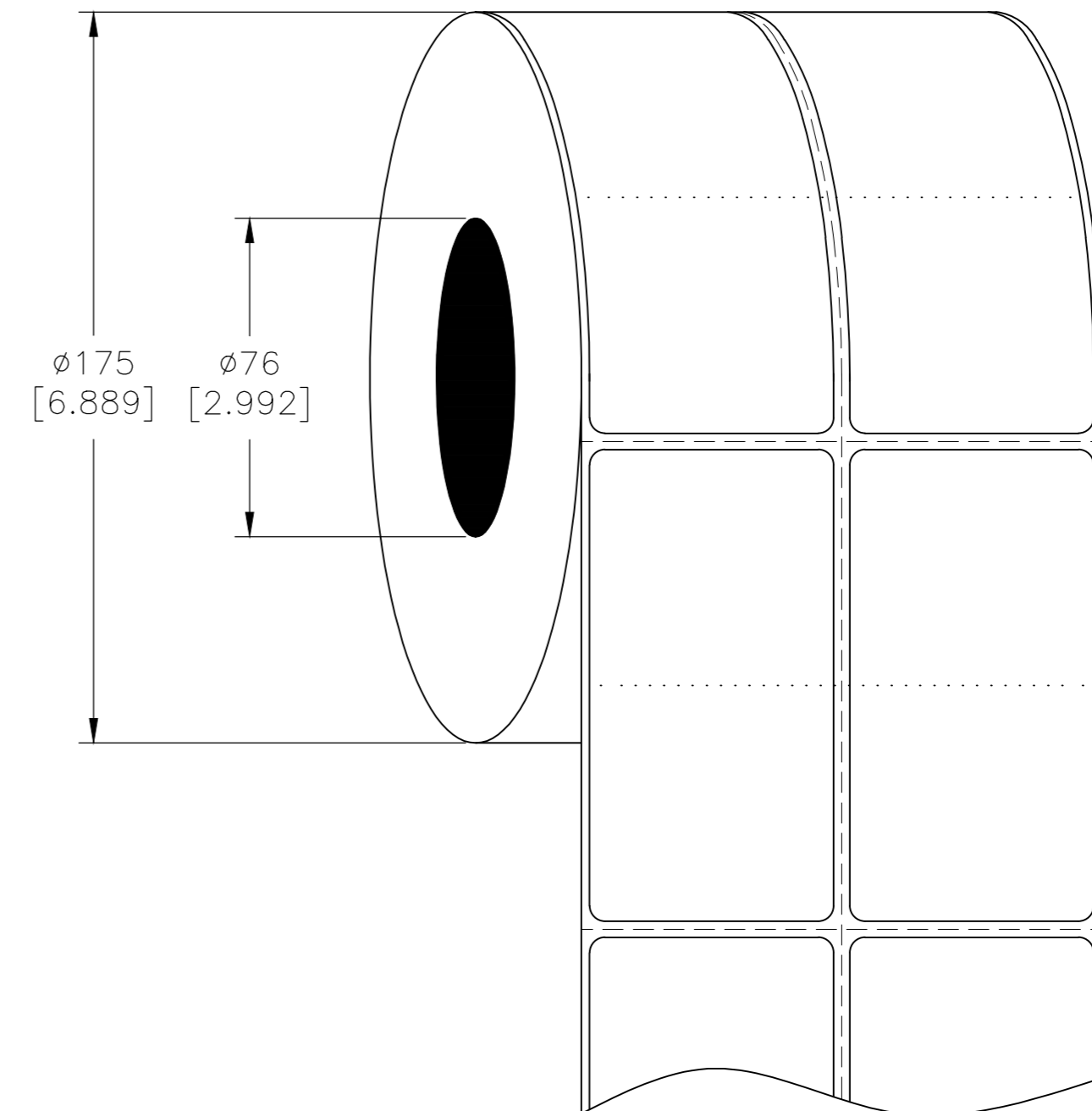
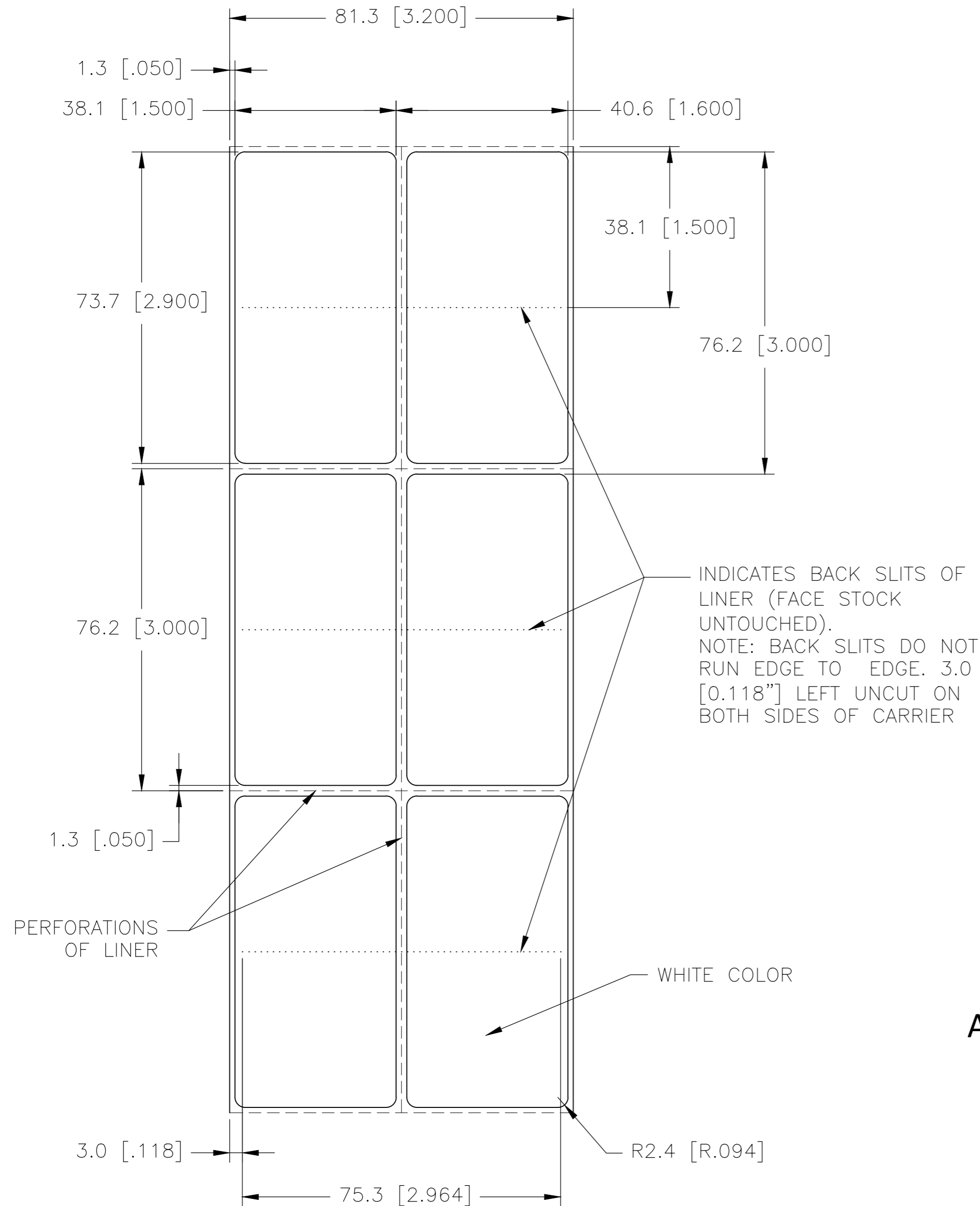


REVISIONS				
P	LTR	DESCRIPTION	DATE	APVD
A1		NEW DRAWING FORMAT	13MAY2020	GK DB

LABEL AND LINER DESIGN

PRESENTATION



**OUTSIDE WOUND
LABEL ACROSS: 2
PER ROLL QTY: 2,500**

All dimensions in mm [Inch]

TE PN: D46169-000

TOLERANCES mm [INCH]
LABEL HEIGHT: ± 0.3 [.012]
LABEL WIDTH: ± 0.3 [.012]
WEB WIDTH: ± 0.8 [.031]
VERTICAL REPEAT: ± 0.8 [.031]*
HORIZONTAL REPEAT: ± 0.8 [.031]*
PRINT POSITIONING: ± 0.8 [.031]*
LEFT MARGIN: ± 0.4 [.016]
QUANTITY: -0 % +2 %
*NON ACCUMULATING

THIS DRAWING IS A CONTROLLED DOCUMENT.	
DIMENSIONS: mm [INCHES]	TOLERANCES UNLESS OTHERWISE SPECIFIED:
	0 PLC \pm
	1 PLC \pm
	2 PLC \pm
	3 PLC \pm
	4 PLC \pm
ANGLES \pm	
MATERIAL SEE TABLE	FINISH GLOSS

MATERIAL	POLYVINYL FLUORIDE (TEDLAR®)
ADHESIVE TYPE	PERMANENT ACRYLIC
LINEAR	BROWN KRAFT
DWN GOPALAKRISHNA HV CHK D.BURGAT APVD D.BURGAT PRODUCT SPEC TTDS-005 APPLICATION SPEC	13MAY2020 13MAY2020 13MAY2020
NAME TEDLAR® LABEL - WHITE - 2 ACCROSS 38.1mm x 73.7mm (1.5inch x 2.9inch)	
SIZE A2	CAGE CODE FB1U7
DRAWING NO C=TTVF1529WE2.5	RESTRICTED TO -
WEIGHT 0.384g	SCALE NTS
CUSTOMER DRAWING	SHEET 1 of 1
REV A1	