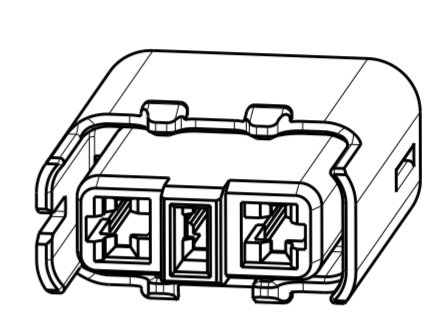
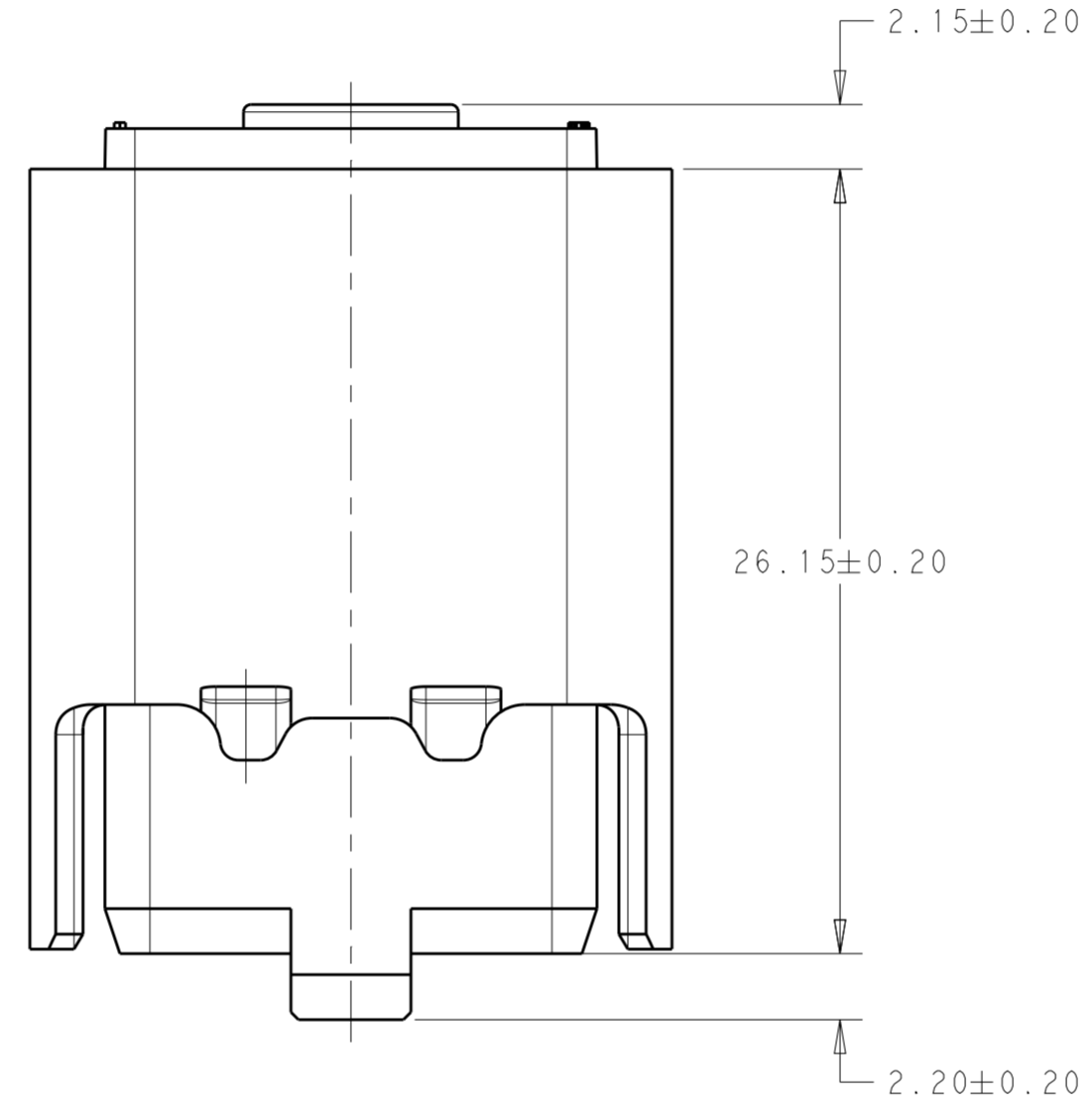
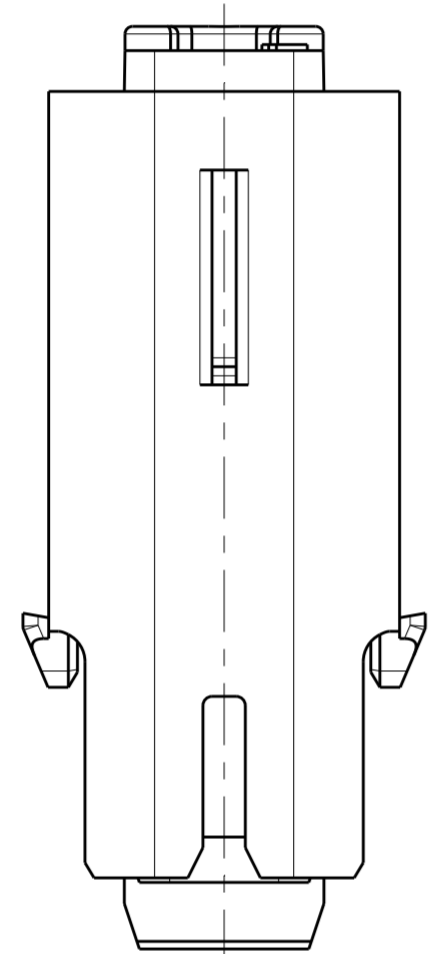
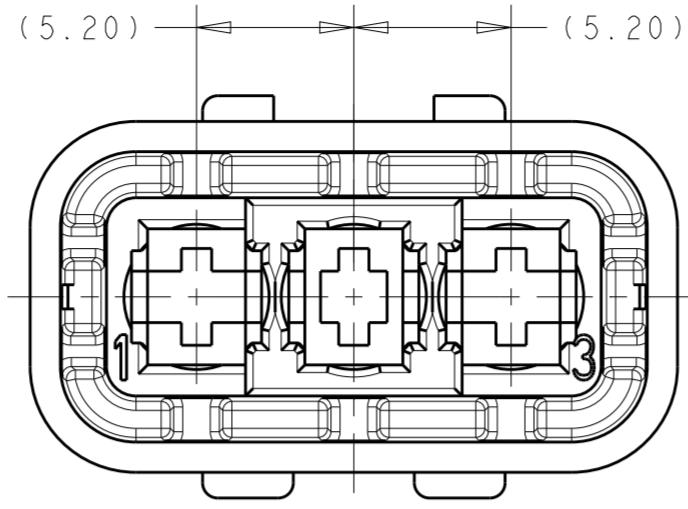
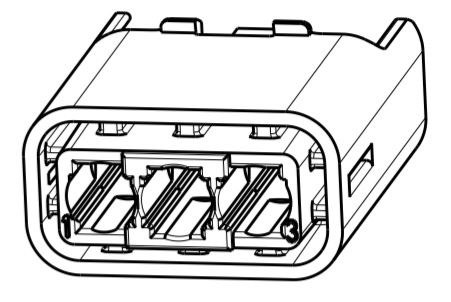


THIS DRAWING IS UNPUBLISHED. RELEASED FOR PUBLICATION 20
 © COPYRIGHT 20 BY TYCO ELECTRONICS CORPORATION ALL RIGHTS RESERVED.

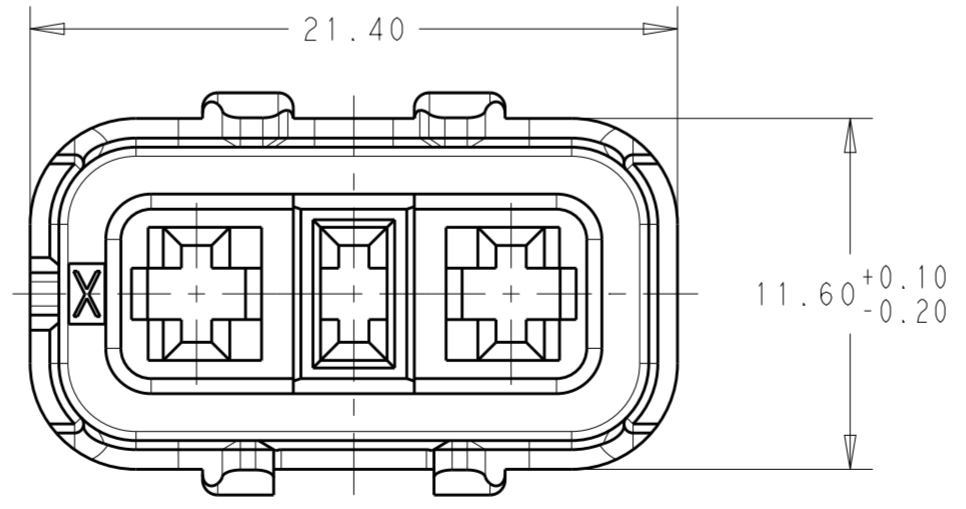
| LOC | DIST | REVISIONS | | | | |
|-----|------|-------------|---------------|-----------|------|----|
| P | LTR | DESCRIPTION | DATE | DWN | APVD | |
| | | A | ECO-13-012771 | 08AUG2013 | DR | DR |
| | | B | ECO-13-016420 | 21OCT2013 | DR | DR |



SCALE 2:1



SCALE 2:1



1 MATERIAL:
 TYPE: PA66 33%GF
 COLOR: NATURAL

2103306-1
 PART NO

| | | | | |
|-----------------------------------------------------------------------------------------------------------------------------------|--|----------------------------------|------------------------------------------------------------------|------------------------|
| THIS DRAWING IS A CONTROLLED DOCUMENT. | | DWN D. RHEIN 24 JAN 2012 | TE Connectivity NAME INNER HOUSING, PLUG, HVA280-3PM XE | |
| DIMENSIONS: | | CHK D. RHEIN 24 JAN 2012 | | |
| mm | | APVD A. GUANCO 24 JAN 2012 | | |
| TOLERANCES UNLESS OTHERWISE SPECIFIED: 0 PLC ± 1 PLC ±0.2 2 PLC ±0.10 3 PLC ±0.050 4 PLC ± ANGLES ±1° FINISH | | PRODUCT SPEC 108-32020 | | |
| MATERIAL | | APPLICATION SPEC 114-32056 | SIZE A200779 | CAGE CODE C-2103306 |
| | | WEIGHT 3.99g | DRAWING NO C-2103306 | RESTRICTED TO - |
| | | Customer Drawing | SCALE 4:1 | SHEET 1 OF 1 |
| | | | | REV B |