

SEPIC/Boost DC/DC Converter with 2A, 70V Switch, and 7 μ A Quiescent Current

DESCRIPTION

Demonstration circuit 2242A is a monolithic SEPIC converter featuring LT[®]8494. The demo board is designed for 5V output from a 3V to 60V input at 450kHz switching frequency. The max output current is 1A when the input voltage is above 12V, and is reduced with lower input voltage. The quiescent current of LT8494 is less than 7 μ A when operating. Dual supply pins (V_{IN} and BIAS) allow the part to automatically operate from the most efficient supply.

Low ripple Burst Mode[®] operation increases the efficiency at the light load while keeping the output ripple below 10mV. Figure 1 shows the demo board efficiency at 12V input voltage. Figure 2 shows the maximum load current with different input voltages of the demo board.

The LT8494 data sheet gives a complete description of the part, operation and application information. The data sheet must be read in conjunction with this demo manual for DC2242A. The LT8494 is assembled in 20-lead QFN and 20-lead plastic TSSOP packages. Proper board layout is essential for maximum thermal and electrical performance. See the data sheet sections for details.

Design files for this circuit board are available at <http://www.linear.com/demo/DC2242A>

LT, LT, LTC, LTM, Linear Technology, the Linear logo and Burst Mode are registered trademarks of Linear Technology Corporation. All other trademarks are the property of their respective owners.

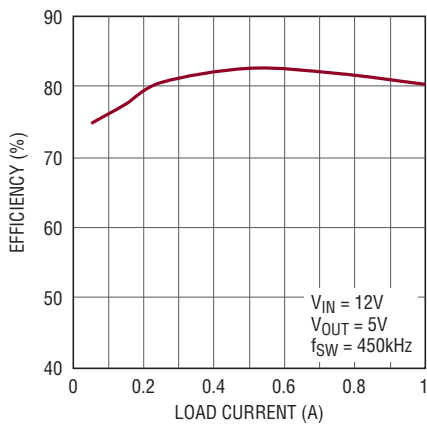


Figure 1. LT8494 Efficiency

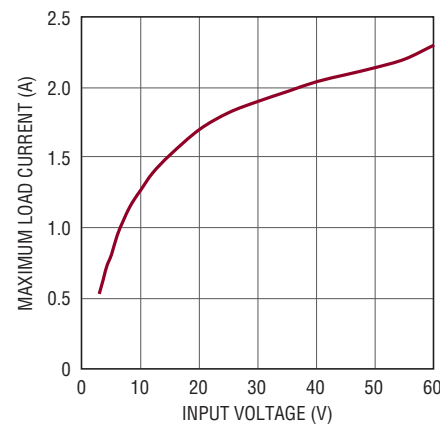


Figure 2. LT8494 Maximum Load Current (Typical) vs Input Voltage

PERFORMANCE SUMMARY

Specifications are at $T_A = 25^\circ\text{C}$

SYMBOL	PARAMETER	CONDITIONS	MIN	TYP	MAX	UNITS
V_{IN}	Input Supply Range		3		60	V
V_{OUT}	Output Voltage		4.86	5.04	5.24	V
f_{SW}	Switching Frequency	$R_T = 169\text{k}\Omega$	414	450	477	kHz
I_{OUT}	Max Output Current	$V_{IN} = 12\text{V}$	1			A
EFE	Efficiency at DC	$V_{IN} = 12\text{V}, I_{OUT} = 1\text{A}$		80.3		%

QUICK START PROCEDURE

DC2242A is easy to set up to evaluate the performance of the LT8494. Refer to Figure 3 for proper measurement equipment setup and follow the procedure below:

NOTE. When measuring the input or output voltage ripple, care must be taken to avoid a long ground lead on the oscilloscope probe. Measure the input or output voltage ripple by touching the probe tip directly across the V_{IN} or V_{OUT} and GND terminals. See Figure 4 for the proper scope technique.

1. With power off, connect the input power supply to V_{IN} and GND. Make sure that the input voltage does not exceed 60V.
2. With power off, connect loads from V_{OUT} to GND.
3. Turn on the power at the input.
4. Check for the proper output voltages ($V_{OUT} = 5V$).
NOTE: If there is no output, temporarily disconnect the load to make sure that the load is not set too high or is shorted.
5. Once the proper output voltage is established, adjust the load within the operating ranges and observe the output voltage regulation, ripple voltage, efficiency and other parameters.

QUICK START PROCEDURE

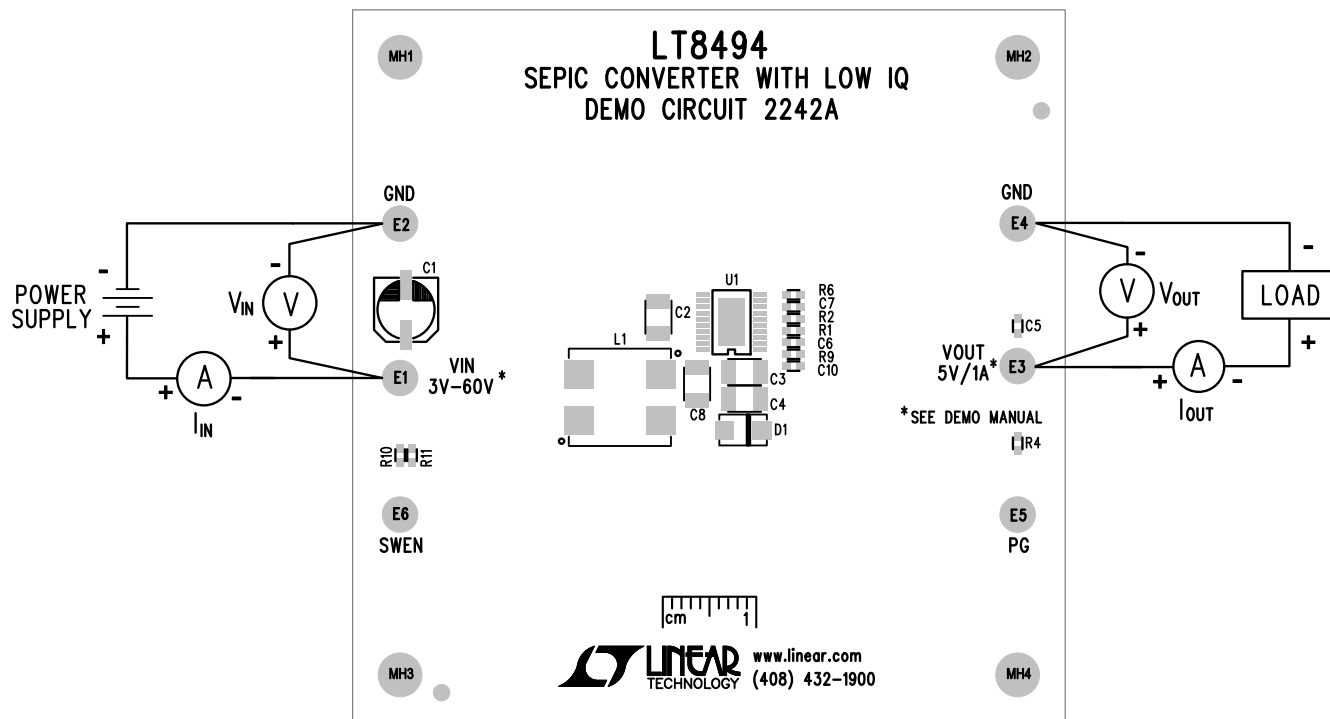


Figure 3. Proper Measurement Equipment Setup

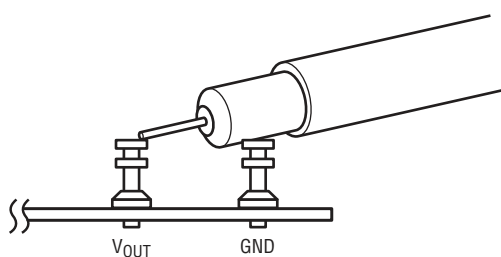


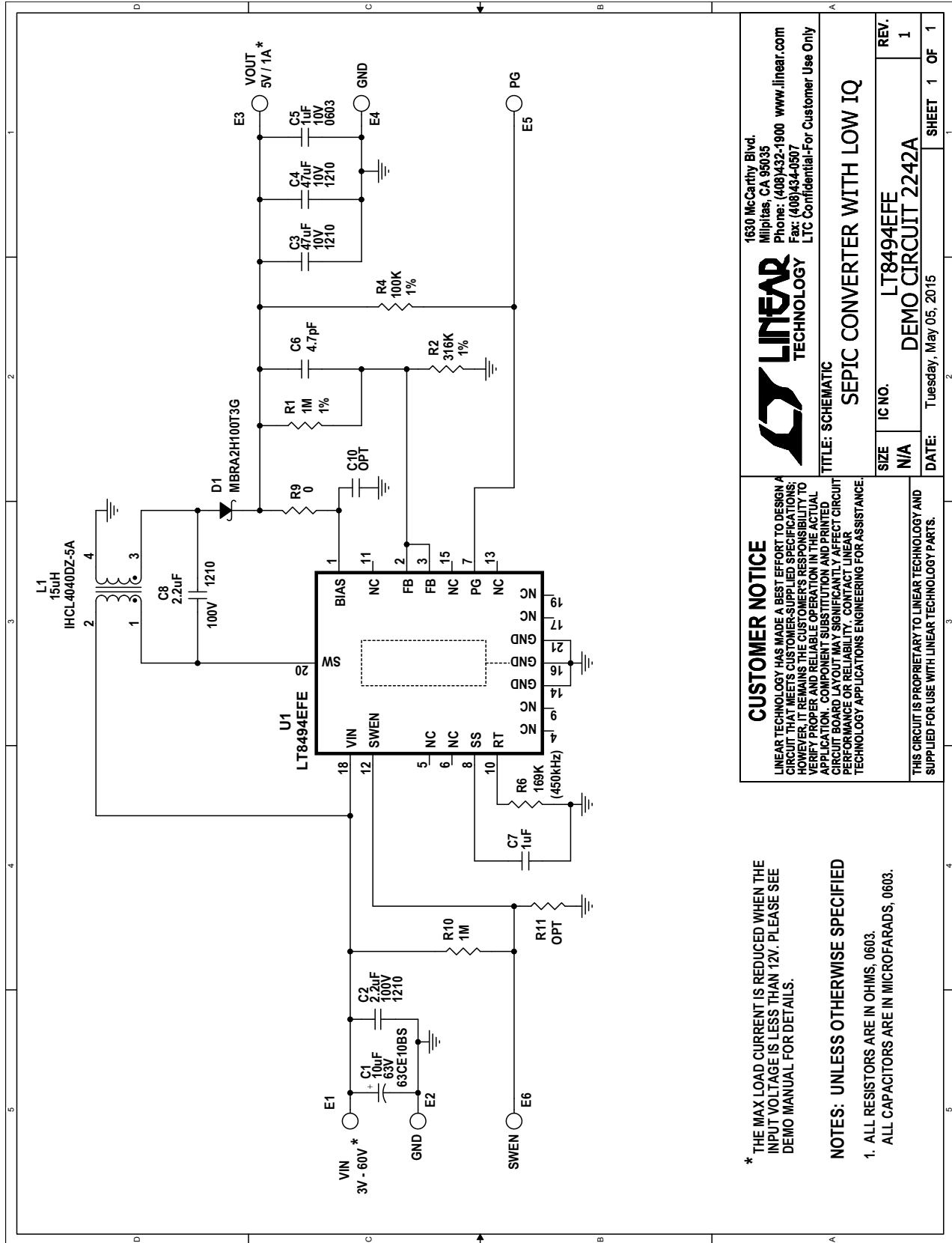
Figure 4. Measuring Input or Output Ripple

DEMO MANUAL DC2242A

PARTS LIST

ITEM	QTY	REFERENCE	PART DESCRIPTION	MANUFACTURER/PART NUMBER
Required Circuit Components				
1	2	C2, C8	CAP., X7R, 2.2 μ F, 100V, 10%, 1210	MURATA, GRM32ER72A225KA35L
2	2	C3, C4	CAP., X7R, 47 μ F, 10V, 10%, 1210	MURATA, GRM32ER71A476KE15L
3	2	C5, C7	CAP., X7R, 1 μ F, 10V, 10%, 0603	MURATA, GRM188R71A105KA61D
4	1	C6	CAP., NPO, 4.7pF, 50V, \pm 0.25pF, 0603	MURATA, GRM1885C1H4R7CA01D
5	1	D1	DIODE, SCHOTTKY 100V, 2A, SMA	ON SEMI., MBRA2H100T3G
6	1	L1	INDUCTOR, 15 μ H	VISHAY, IHCL4040DZER150M5A
7	2	R1, R10	RES., CHIP, 1M, 1/10W, 0603	VISHAY, CRCW06031M00FKEA
8	1	R2	RES., CHIP, 316K, 1/10W, 1%, 0603	VISHAY, CRCW0603316KFKEA
9	1	R4	RES., CHIP, 100k, 1/10W, 1%, 0603	VISHAY, CRCW0603100KFKEA
10	1	R6	RES., CHIP, 169k, 1/10W, 1%, 0603	VISHAY, CRCW0603169KFKEA
11	1	R9	RES., CHIP, 0, 1/10W, 0603	VISHAY, CRCW06030000Z0EA
12	1	U1	I.C., , LT8494, TSSOP-20-4.4mm	LINEAR TECH., LT8494EFE#PBF
Additional Demo Board Circuit Components				
1	1	C1	CAP., ALUM, 10 μ F, 63V, 20%	SUN ELECTRONIC, 63CE10BS
2	0	C10 (OPT)	CAP., OPTION, 0603	OPT
3	0	R11 (OPT)	RES., OPTION, 0603	OPT
Hardware: For Demo Board Only				
1	6	E1-E6	TESTPOINT, TURRET, .094" PBF	MILL-MAX, 2501-2-00-80-00-00-07-0

SCHEMATIC DIAGRAM



dc2242af

DEMO MANUAL DC2242A

DEMONSTRATION BOARD IMPORTANT NOTICE

Linear Technology Corporation (LTC) provides the enclosed product(s) under the following **AS IS** conditions:

This demonstration board (DEMO BOARD) kit being sold or provided by Linear Technology is intended for use for **ENGINEERING DEVELOPMENT OR EVALUATION PURPOSES ONLY** and is not provided by LTC for commercial use. As such, the DEMO BOARD herein may not be complete in terms of required design-, marketing-, and/or manufacturing-related protective considerations, including but not limited to product safety measures typically found in finished commercial goods. As a prototype, this product does not fall within the scope of the European Union directive on electromagnetic compatibility and therefore may or may not meet the technical requirements of the directive, or other regulations.

If this evaluation kit does not meet the specifications recited in the DEMO BOARD manual the kit may be returned within 30 days from the date of delivery for a full refund. **THE FOREGOING WARRANTY IS THE EXCLUSIVE WARRANTY MADE BY THE SELLER TO BUYER AND IS IN LIEU OF ALL OTHER WARRANTIES, EXPRESSED, IMPLIED, OR STATUTORY, INCLUDING ANY WARRANTY OF MERCHANTABILITY OR FITNESS FOR ANY PARTICULAR PURPOSE. EXCEPT TO THE EXTENT OF THIS INDEMNITY, NEITHER PARTY SHALL BE LIABLE TO THE OTHER FOR ANY INDIRECT, SPECIAL, INCIDENTAL, OR CONSEQUENTIAL DAMAGES.**

The user assumes all responsibility and liability for proper and safe handling of the goods. Further, the user releases LTC from all claims arising from the handling or use of the goods. Due to the open construction of the product, it is the user's responsibility to take any and all appropriate precautions with regard to electrostatic discharge. Also be aware that the products herein may not be regulatory compliant or agency certified (FCC, UL, CE, etc.).

No License is granted under any patent right or other intellectual property whatsoever. **LTC assumes no liability for applications assistance, customer product design, software performance, or infringement of patents or any other intellectual property rights of any kind.**

LTC currently services a variety of customers for products around the world, and therefore this transaction **is not exclusive**.

Please read the DEMO BOARD manual prior to handling the product. Persons handling this product must have electronics training and observe good laboratory practice standards. **Common sense is encouraged.**

This notice contains important safety information about temperatures and voltages. For further safety concerns, please contact a LTC application engineer.

Mailing Address:

Linear Technology
1630 McCarthy Blvd.
Milpitas, CA 95035

Copyright © 2004, Linear Technology Corporation