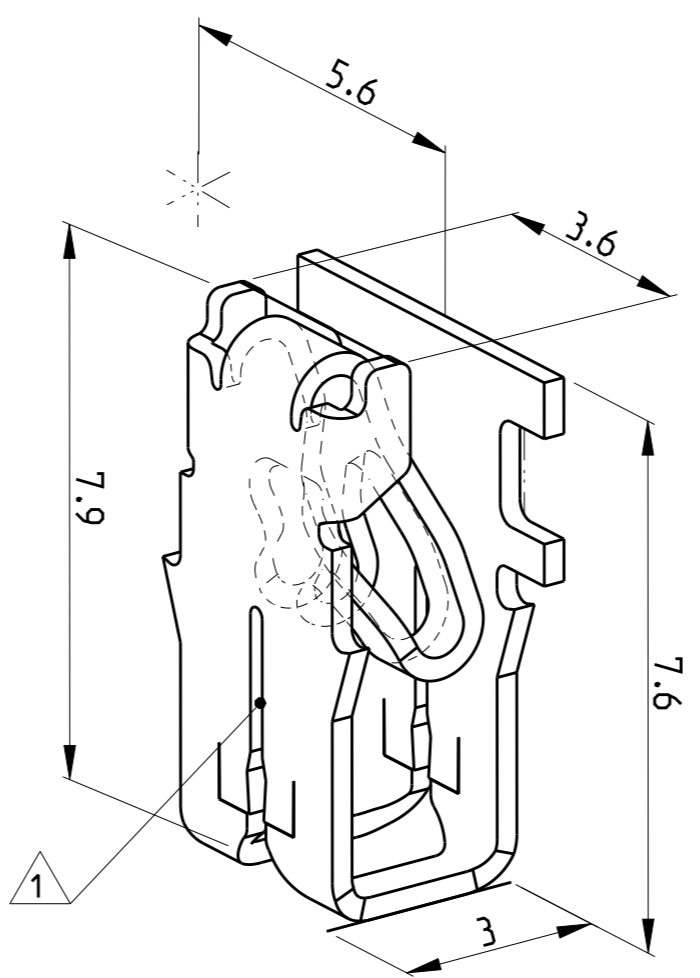
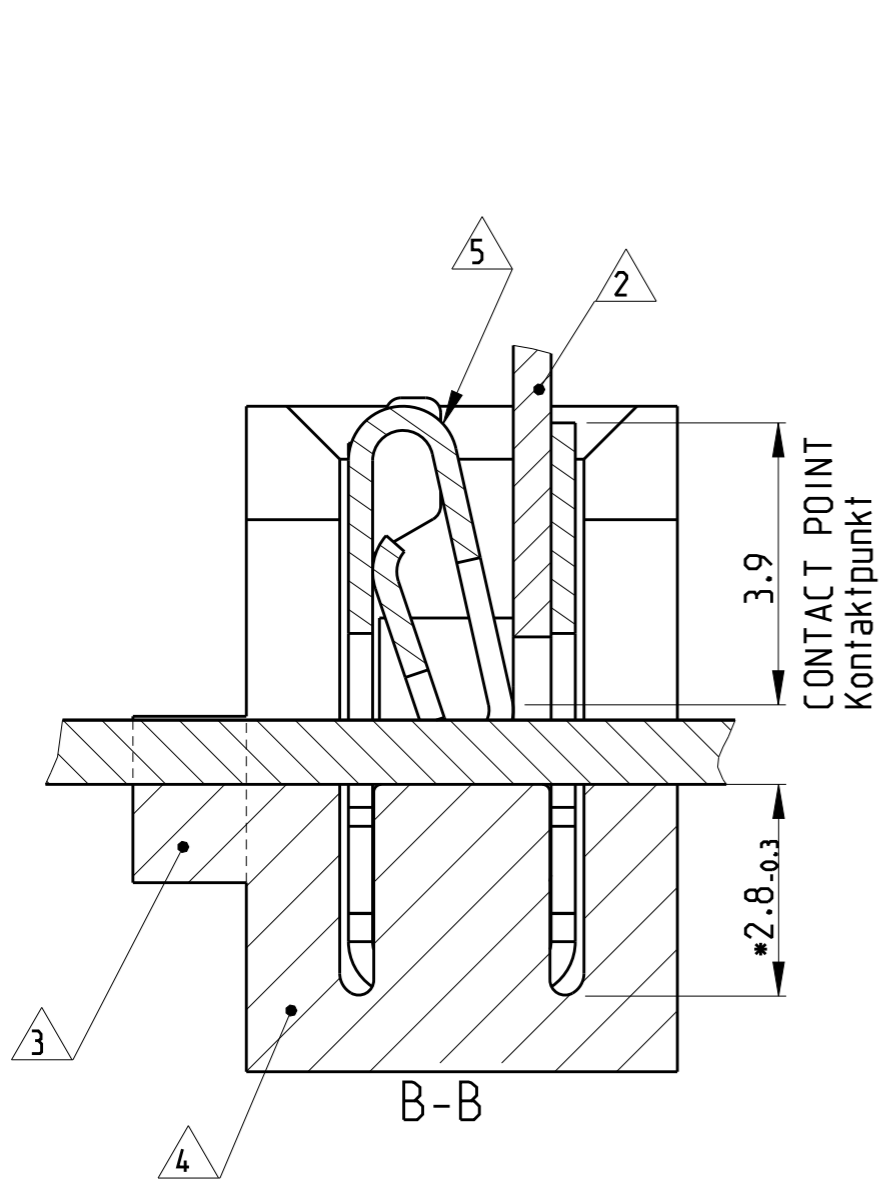
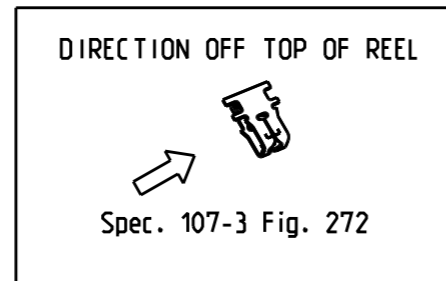


REVISIONS					
P	LTR	DESCRIPTION	DATE	DWN	APVD
E4		NEW PART NO 1394759-6 ADDED	06DEC2017	SV	PKS
E5		1394759-6 RELEASE FOR PRODUCTION	30MAY2018	SV	PKS
F		REVISED PER ECR-19-009725	02JUL2019	BDA	SV
F1		REVISED PER ECR-19-015041	06NOV2019	PC	MB



- 1 SLOT ACCEPTS:  
SINGLE OR DOUBLE MAGNET WIRE  
0.63...0.85 mm DIA  
Kontakt geeignet fuer :  
Lackdraht, Einzeldraht und Doppeldraht  
Ø0.63...0.85 mm
- 2 POKE IN TAB TERMINAL 3.4x0.5mm  
Poke in Flachstecker 3.4x0.5mm
- 3 AREA WILL BE CUT BY TERMINATION  
Bereich wird beim Kontaktieren abgetrennt
- 4 CAVITY ACCORDING TO TE SPEC. 411-18512  
Kontakt Kammer nach TE Spec. 411-18512
- 5 IDENTIFICATION NO. FOR MAGNET WIRE RANGE (20)  
Kennziffer fuer Lackdrahtbereich (20)
- 6 REELED WITH INTERLEAVE PAPER.  
ABGEWICKELT MIT INTERLEAVE-PAPIER.

1394759-6	-	CuNiSi	NICKEL PLATED	MAG MATE LEAF TERMINAL	-
1394759-5	-	CuNiSi	TIN PLATED	MAG MATE LEAF TERMINAL	-
1394759-3	-	CuZn	PRE TINNED	MAG MATE LEAF TERMINAL	-
1394759-2	-	CuNiSi	PRE TINNED	MAG MATE LEAF TERMINAL	-
1394759-1	-	CuNiSi	BLANK	MAG MATE LEAF TERMINAL	-
PART NO	PCS.	MATERIAL	SURFACE COLOUR	DESCRIPTION	ITEM NO



THIS DRAWING IS A CONTROLLED DOCUMENT.

DIMENSIONS: mm	TOLERANCES UNLESS OTHERWISE SPECIFIED: n. ISO 8015, n. ISO 2768- mt-E n. DIN 16901-110	DWN H. ATZMANN 04-01-01	
	0 PLC ± 1 PLC ± } 0.2 mm 2 PLC ± 3 PLC ± 4 PLC ± ANGLES ±1°	CHK H. Plößner 04-01-01	
MATERIAL SEE TABLE	FINISH SEE TABLE	APVD -	NAME MAG MATE LEAF TERMINAL MARK II
		PRODUCT SPEC 108-2012	SIZE A3
		APPLICATION SPEC 114-2046	CAGE CODE 00779
		WEIGHT -	DRAWING NO C-1394759
CUSTOMER DRAWING			RESTRICTED TO -
SCALE 10:1			SHEET 1 OF 1
			REV F1