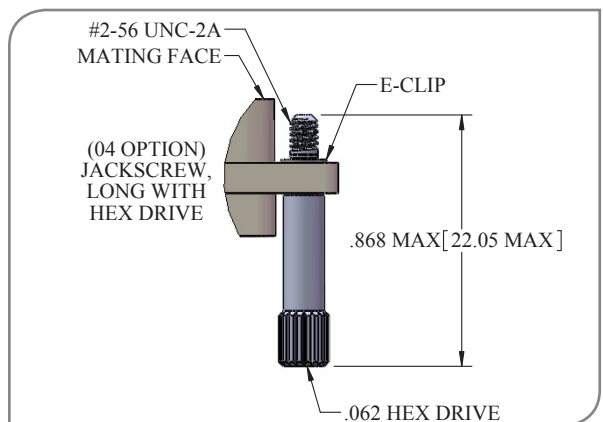
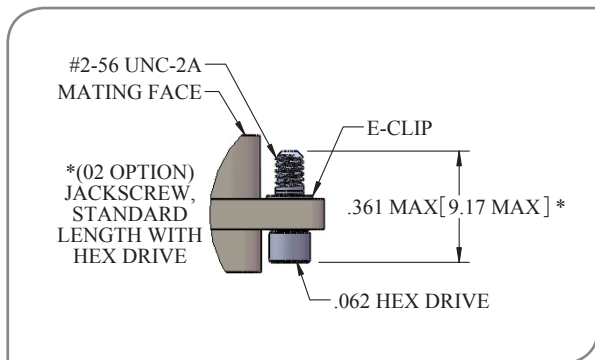
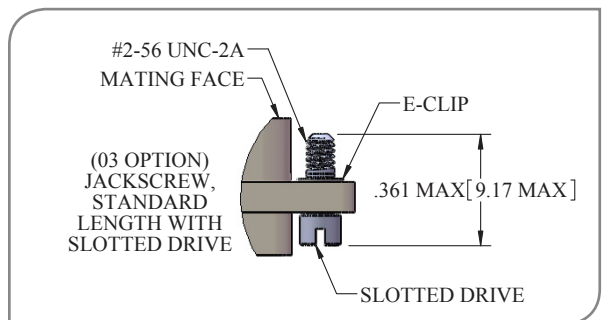
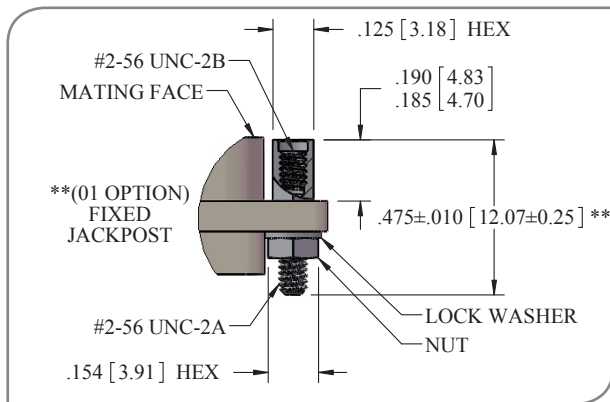
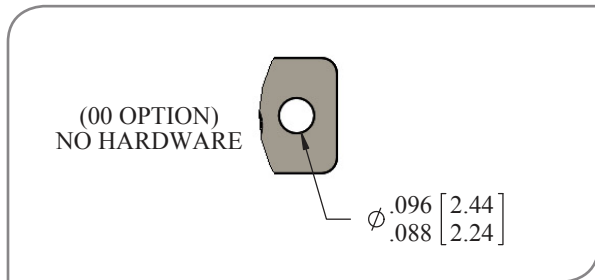
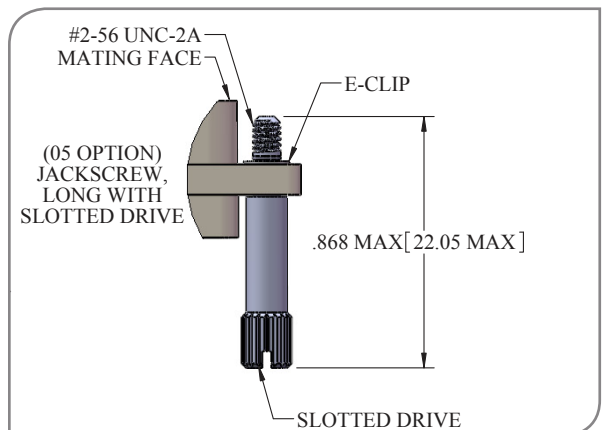


Hardware Selection

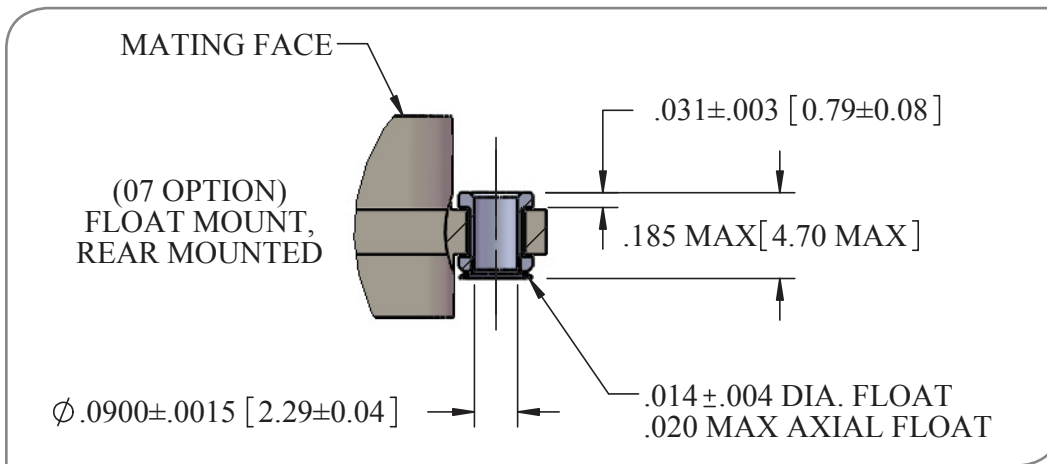
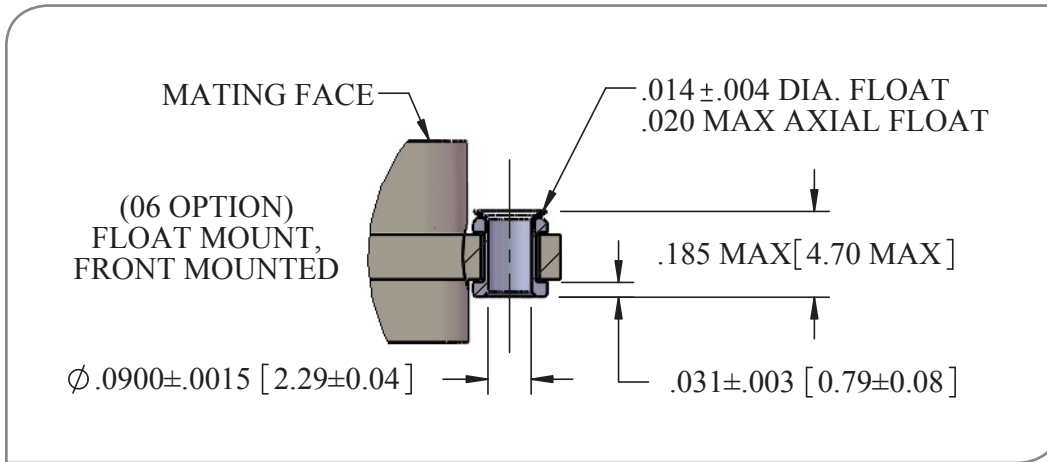


*FOR ALL TYPES EXCEPT HORIZONTAL SURFACE MOUNT (H0). OVERALL LENGTH FOR STANDARD H0 JACKSCREW IS .485 [12.32] MAX.

**FOR ALL TYPES EXCEPT S2 AND R2. OVERALL LENGTH FOR STANDARD S2 JACKPOST IS .560 [14.22] MAX AND .385 [9.78] MAX FOR R2.



Hardware Selection Cont...



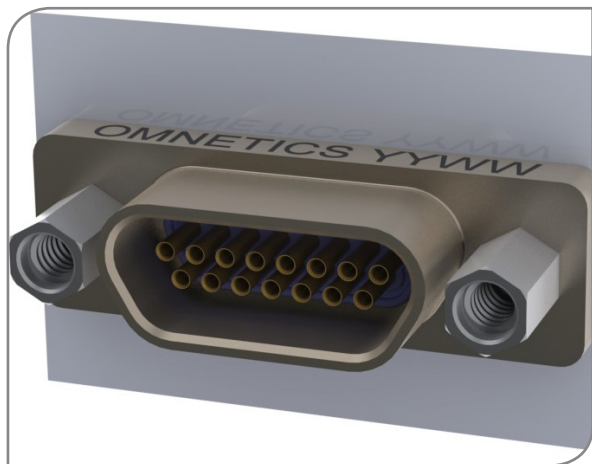
TO ORDER LOOSE HARDWARE SEPARATELY, USE OMNETICS PART NUMBERS BELOW

Kit Description	Omnetics Part #	Hardware Code (Ref)
Jackscrew Assembly, #2-56, Standard Length with Hex Drive	A97007-001	02
Jackscrew Assembly, #2-56, Standard Length with Slotted Drive	A97008-001	03
Jackscrew Assembly, #2-56, Extended Length with Hex Drive	A97007-002	04
Jackscrew Assembly, #2-56, Extended Length with Slotted Drive	A97008-002	05
Jackscrew Assembly, #2-56, Standard Length with Hex Drive* (H0)	A97007-003	02
Jackpost Assembly, Standard	A97009-001	01
Jackpost Assembly, Extended** (S2)	A97009-002	01
Jackpost Assembly, Short** (R2)	A97009-003	01

*FOR ALL TYPES EXCEPT HORIZONTAL SURFACE MOUNT (H0). OVERALL LENGTH FOR STANDARD H0 JACKSCREW IS $.485 [12.32]$ MAX.

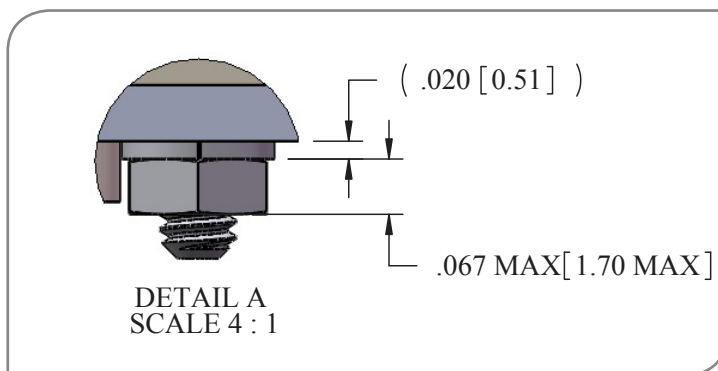
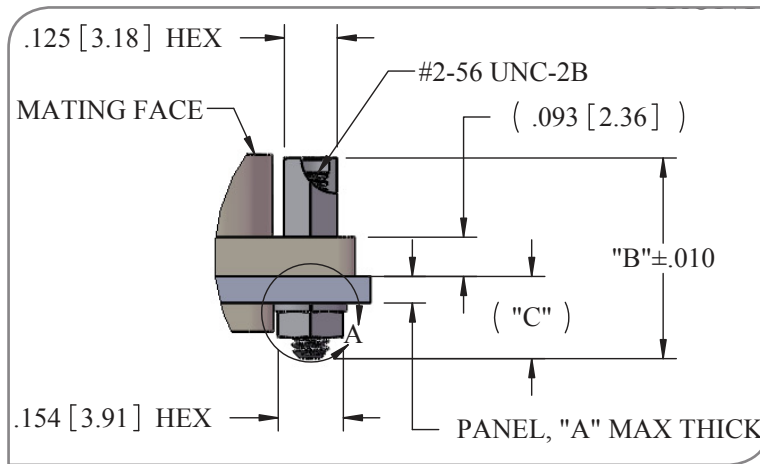
**FOR ALL TYPES EXCEPT S2 AND R2. OVERALL LENGTH FOR STANDARD S2 JACKPOST IS $.560 [14.22]$ MAX AND $.385 [9.78]$ MAX FOR R2.

Panel Mount Hardware Selection



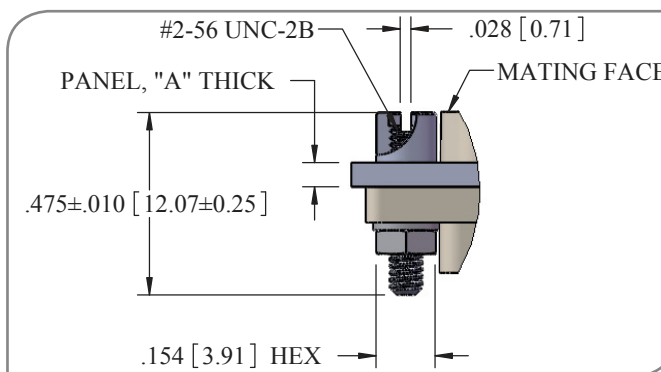
FRONT MOUNT

EACH KIT INCLUDES TWO JACKPOSTS, WASHERS, AND NUTS. FOR USE WITH REGULAR WIRED OR SOLDERCUP MICRO-D CONNECTORS.



REAR MOUNT

English (IN)			Metric (mm)			Omnetics Part #
"A"	"B"	"C"	"A"	"B"	"C"	
.05	.475	.195	1.3	12.07	4.94	A 97006-001
.13	.550	.270	3.2	13.97	6.85	A 97006-002

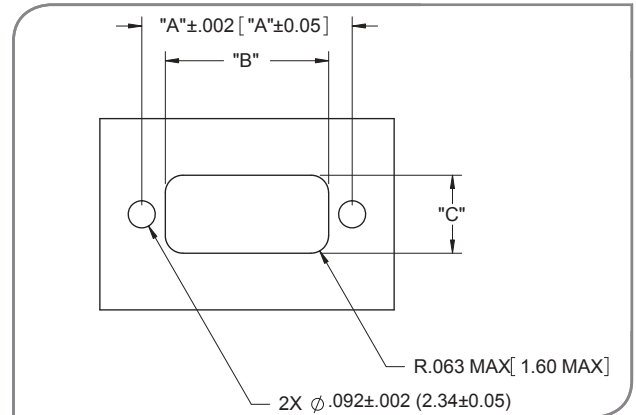


English (IN)		Metric (mm)		Omnetics Part #
"A"		"A"		
MIN	MAX	MIN	MAX	
.027	0.33	.69	.84	A97006-101
.059	0.65	1.50	1.65	A97006-102
.090	0.96	2.29	2.44	A97006-103

Panel Mount Cut Out

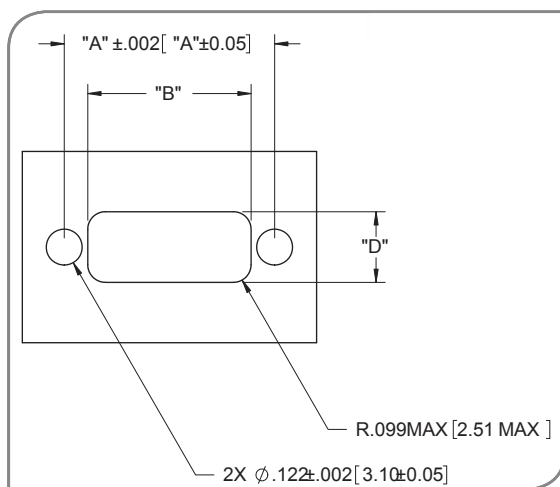


FRONT MOUNTED



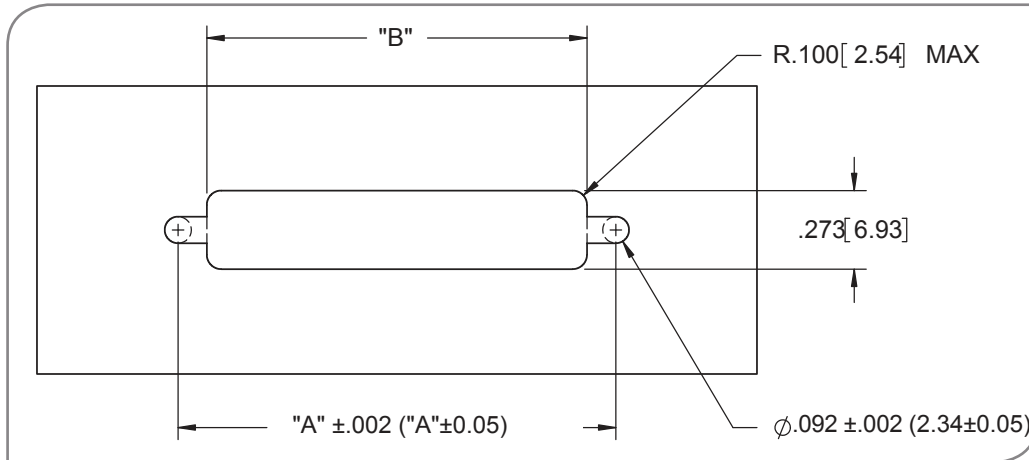
Contacts		English (IN)			Metric (mm)		
"n"	Rows	"A"	"B"	"C"	"A"	"B"	"C"
9	2	.565	.405	.275	14.35	10.29	6.99
15	2	.715	.555	.275	18.16	14.10	6.99
21	2	.865	.705	.275	21.97	17.91	6.99
25	2	.965	.805	.275	24.51	20.45	6.99
31	2	1.115	.955	.275	28.32	24.26	6.99
37	2	1.265	1.105	.275	32.13	28.07	6.99
51	2	1.615	1.455	.275	41.02	36.96	6.99
51	3	1.215	1.055	.315	30.86	26.80	8.00

REAR MOUNTED

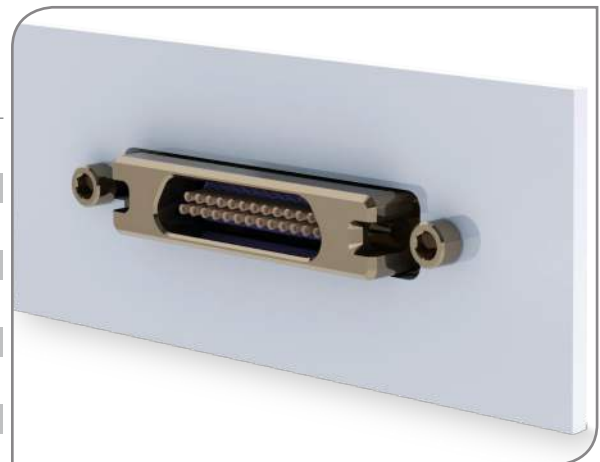


Contacts		English (IN)			Metric (mm)		
"n"	Rows	"A"	"B"	"D"	"A"	"B"	"D"
9	2	.565	.405	.255	14.35	10.29	6.48
15	2	.715	.555	.255	18.16	14.10	6.48
21	2	.865	.705	.255	21.97	17.91	6.48
25	2	.965	.805	.255	24.51	20.45	6.48
31	2	1.115	.955	.255	28.32	24.26	6.48
37	2	1.265	1.105	.255	32.13	28.07	6.48
51	2	1.615	1.455	.255	41.02	36.96	6.48
51	3	1.215	1.055	.298	30.86	26.80	7.57

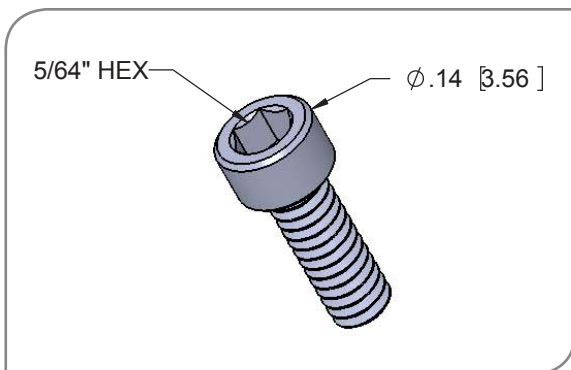
Latching Panel Mount Cut Out



Contacts		English (IN)		Metric (mm)	
"n"	Rows	"A"	"B"	"A"	"B"
9	2	1.120	.920	28.45	23.37
15	2	1.270	1.070	32.26	27.18
21	2	1.420	1.220	36.07	30.99
25	2	1.520	1.320	38.61	33.53
31	2	1.670	1.470	42.42	37.34
37	2	1.820	1.620	46.23	41.15
51	2	2.170	1.970	55.12	50.04



REAR MOUNTED (Latching Micro-D Shown)



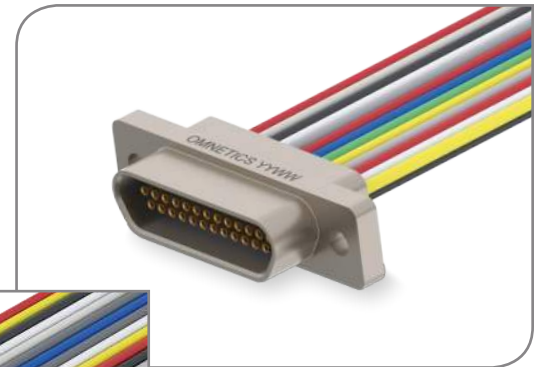
Panel Thickness		
English (IN)	Metric (mm)	Omnetics Part #
.010 - .045	0.25 - 1.14	D6292-156
.045 - .094	1.14 - 2.39	D6292-187

SCREWS SOLD INDIVIDUALLY, ORDER TWO PER CONNECTOR.

'No Tools Required' Adapter

Latching Micro-D Conversion Kit

Any Standard Micro-D connector with access to the back of the connector flange can be converted to a Latching Micro-D. With Omnetics' rugged latching systems, the need for tools is eliminated without compromising the performance expected from a Micro-D connector.



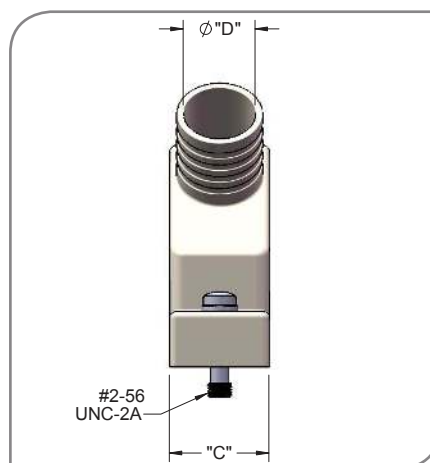
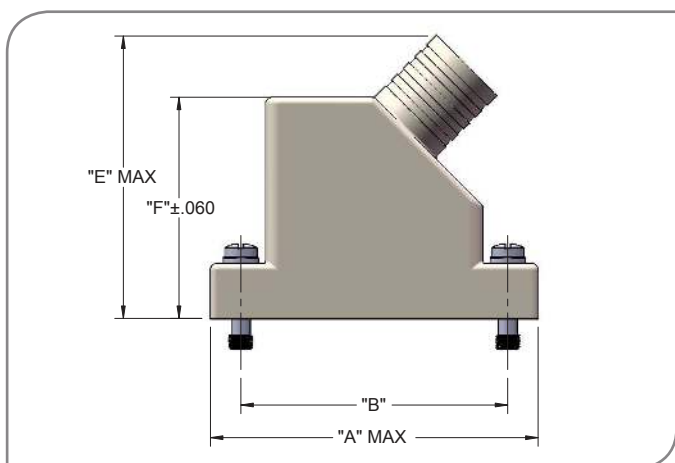
Contacts

Omnetics Part

"n"	Rows	
9	2	A99018-009
15	2	A99018-015
21	2	A99018-021
25	2	A99018-025
31	2	A99018-031
37	2	A99018-037
51	2	A99018-051

*Patent Pending

45 Degree Round Entry, Micro-D Backshell



NOTE:
 BACKSHELL MATERIAL: ALUMINUM ALLOY
 FINISH: .0007/.0010 ELECTROLESS NICKEL PER SAE
 AMS-2404 CLASS 3 OR 4 GRADE B
 HARDWARE: PASSIVATED STAINLESS STEEL,
 E-CLIPS (NOT SHOWN).

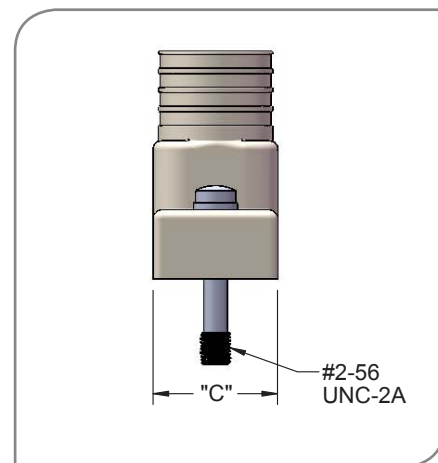
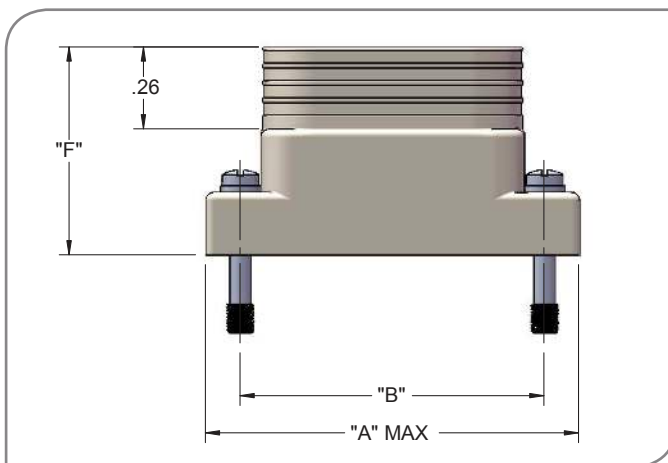
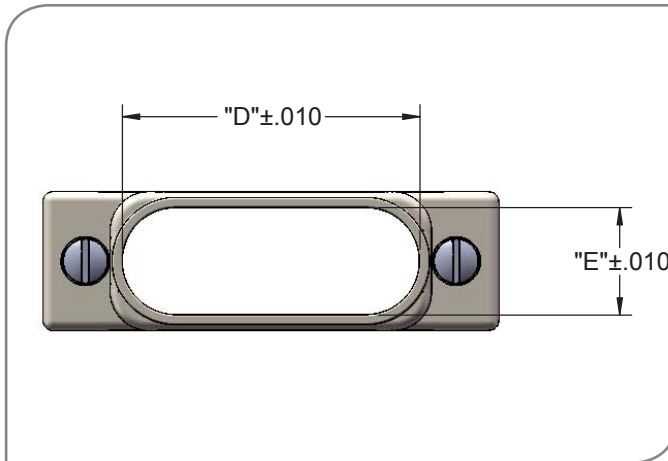
EACH KIT INCLUDES:
 BACKSHELL, TWO SCREWS AND
 TWO RETAINING CLIPS. ORDER
 ONE KIT PER CONNECTOR

Contacts			English (IN)						Metric (mm)					
Omnetics Part #	"n"	Rows	"A"	"B"	"C"	"D"	"E"	"F"	"A"	"B"	"C"	"D"	"E"	"F"
A97000-009	9	2	.785	.565	.340	.160	.875	.650	19.94	14.35	8.64	4.06	22.23	16.51
A97000-015	15	2	.935	.715	.340	.190	.925	.700	23.75	18.16	8.64	4.83	23.50	17.78
A97000-021	21	2	1.085	.865	.340	.220	.975	.735	27.56	21.97	8.64	5.59	24.77	18.67
A97000-025	25	2	1.185	.965	.360	.260	1.025	.800	30.10	24.51	9.14	6.60	26.04	20.32
A97000-031	31	2	1.335	1.115	.360	.275	1.065	.860	33.91	28.32	9.14	6.99	27.05	21.84
A97000-037	37	2	1.485	1.265	.360	.285	1.105	.925	37.72	32.13	9.14	7.24	28.07	23.50
A97000-513	51	3	1.435	1.215	.413	.350	1.187	.975	36.45	41.02	10.49	8.89	30.15	24.77

Micro-D

Hardware & Misc

Straight Oval Entry, Micro-D Backshell



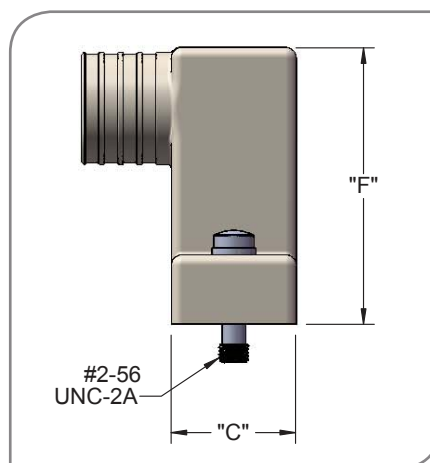
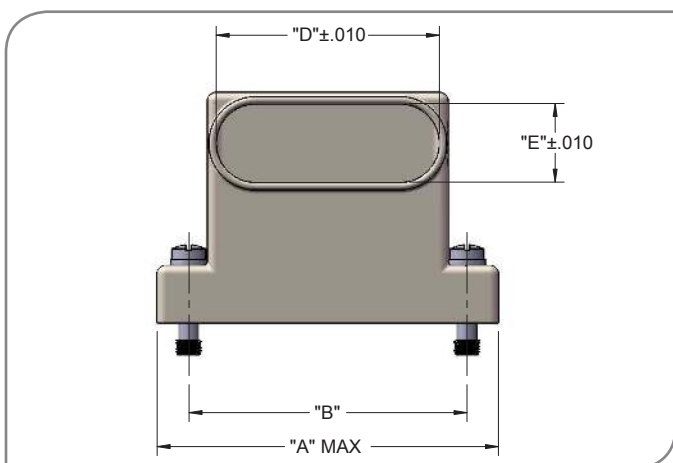
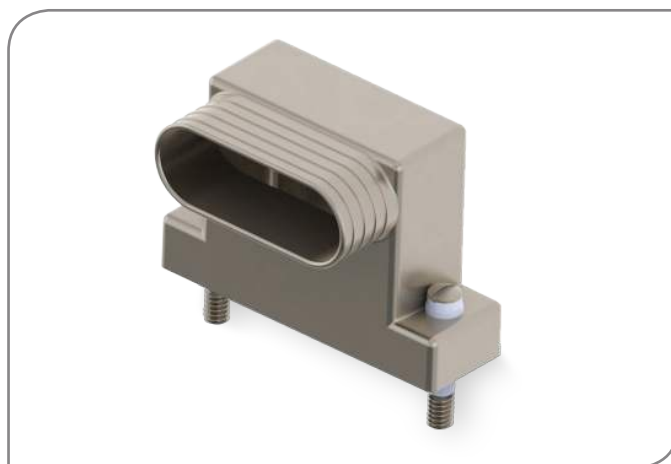
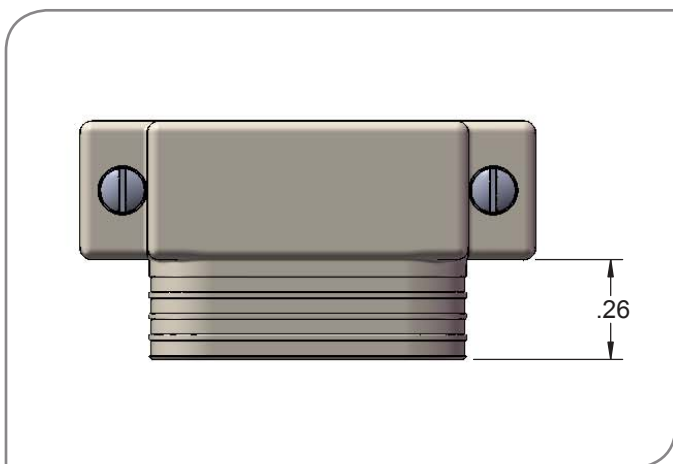
NOTE:

BACKSHELL MATERIAL: ALUMINUM ALLOY
 FINISH: .0007/.0010 ELECTROLESS NICKEL PER SAE
 AMS-2404 CLASS 3 OR 4 GRADE B
 HARDWARE: PASSIVATED STAINLESS STEEL,
 E-CLIPS (NOT SHOWN).

EACH KIT INCLUDES:
 BACKSHELL, TWO SCREWS AND
 TWO RETAINING CLIPS. ORDER
 ONE KIT PER CONNECTOR

Contacts		English (IN)						Metric (mm)						
Part #	"n" Rows	"A"	"B"	"C"	"D"	"E"	"F"	"A"	"B"	"C"	"D"	"E"	"F"	
A97001-009	9	2	.785	.565	.340	.375	.273	.660	19.94	14.35	8.64	9.53	6.93	16.76
A97001-015	15	2	.935	.715	.340	.525	.273	.660	23.75	18.16	8.64	13.34	6.93	16.76
A97001-021	21	2	1.085	.865	.340	.675	.273	.660	27.56	21.97	8.64	17.15	6.93	16.76
A97001-025	25	2	1.185	.965	.360	.775	.273	.660	30.10	24.51	9.14	19.69	6.93	16.76
A97001-031	31	2	1.335	1.115	.360	.925	.273	.660	33.91	28.32	9.14	23.50	6.93	16.76
A97001-037	37	2	1.485	1.265	.360	1.075	.273	.660	37.72	32.13	9.14	27.31	6.93	16.76
A97001-513	51	3	1.435	1.215	.380	1.025	.313	.880	36.45	30.86	10.49	26.04	7.95	22.35

90 Degree Oval Entry, Micro-D Backshell



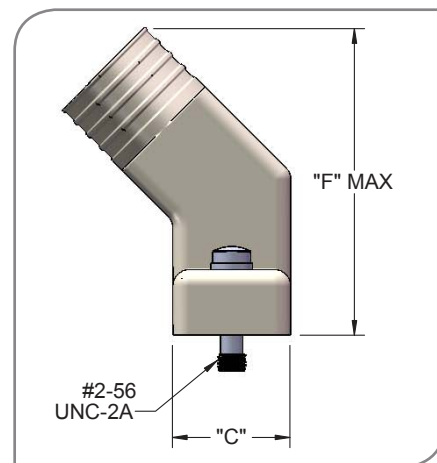
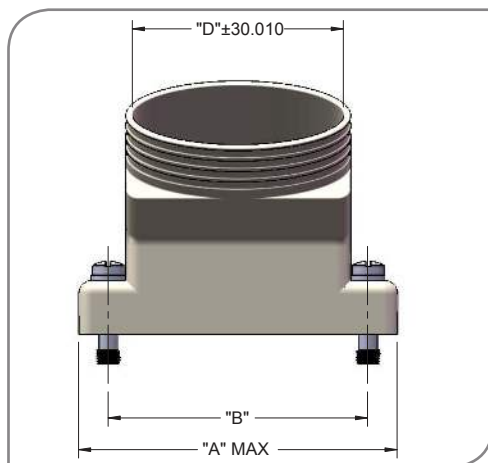
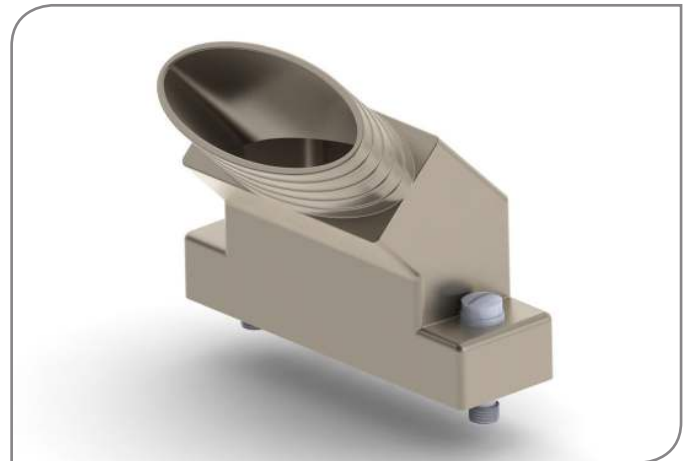
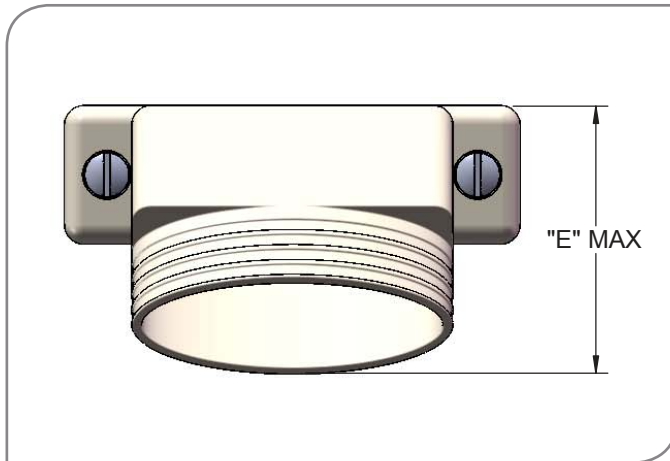
NOTE:

BACKSHELL MATERIAL: ALUMINUM ALLOY
 FINISH: .0007/.0010 ELECTROLESS NICKEL PER SAE
 AMS-2404 CLASS 3 OR 4 GRADE B
 HARDWARE: PASSIVATED STAINLESS STEEL,
 E-CLIPS (NOT SHOWN).

EACH KIT INCLUDES:
 BACKSHELL, TWO SCREWS AND
 TWO RETAINING CLIPS. ORDER
 ONE KIT PER CONNECTOR

	Contacts		English (IN)						Metric (mm)					
Omnetics Part #	"n" Rows		"A"	"B"	"C"	"D"	"E"	"F"	"A"	"B"	"C"	"D"	"E"	"F"
A97002-009	9	2	.785	.565	.340	.375	.273	.80	19.94	14.35	8.64	9.53	6.93	20.32
A97002-015	15	2	.935	.715	.340	.525	.273	.80	23.75	18.16	8.64	13.34	6.93	20.32
A97002-021	21	2	1.085	.865	.340	.675	.273	.80	27.56	21.97	8.64	17.15	6.93	20.32
A97002-025	25	2	1.185	.965	.360	.775	.273	.80	30.10	24.51	9.14	19.69	6.93	20.32
A97002-031	31	2	1.335	1.115	.360	.925	.273	.80	33.91	28.32	9.14	23.50	6.93	20.32
A97002-037	37	2	1.485	1.265	.360	1.075	.273	.80	37.72	32.13	9.14	27.31	6.93	20.32
A97002-513	51	3	1.435	1.215	.400	1.025	.313	1.00	36.45	30.86	10.16	26.04	7.95	25.40

45 Degree Elliptical Entry, Micro-D Backshell

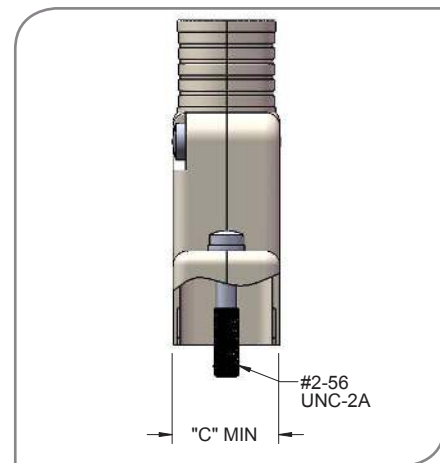
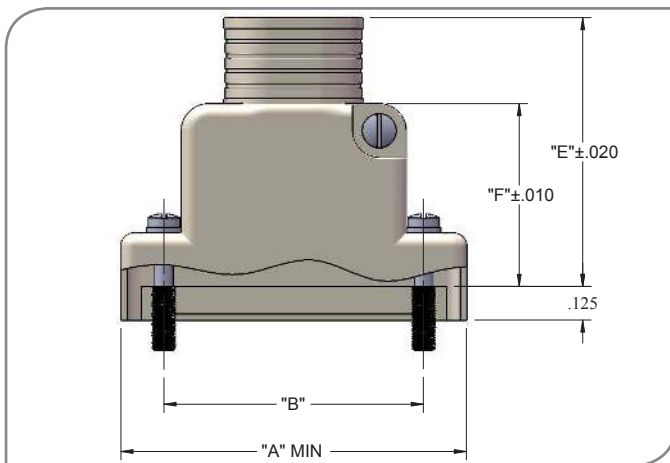
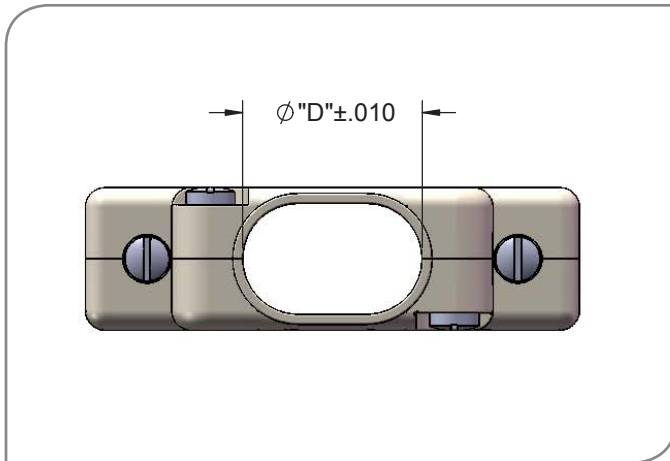


NOTE:
 BACKSHELL MATERIAL: ALUMINUM ALLOY
 FINISH: .0007/.0010 ELECTROLESS NICKEL PER SAE
 AMS-2404 CLASS 3 OR 4 GRADE B
 HARDWARE: PASSIVATED STAINLESS STEEL,
 E-CLIPS (NOT SHOWN).

EACH KIT INCLUDES:
 BACKSHELL, TWO SCREWS AND
 TWO RETAINING CLIPS. ORDER
 ONE KIT PER CONNECTOR

	Contacts		English (IN)						Metric (mm)					
Omnetics Part #	"n"	Rows	"A"	"B"	"C"	"D"	"E"	"F"	"A"	"B"	"C"	"D"	"E"	"F"
A97003-009	9	2	.785	.565	.340	.344	.673	.851	19.94	14.35	8.64	8.74	17.09	21.62
A97003-015	15	2	.935	.715	.340	.494	.673	.876	23.75	18.16	8.64	12.55	17.09	22.25
A97003-021	21	2	1.085	.865	.340	.644	.673	.901	27.56	21.97	8.64	16.36	17.09	22.89
A97003-025	25	2	1.185	.965	.360	.744	.700	.943	30.10	24.51	9.14	18.19	17.78	23.95
A97003-031	31	2	1.335	1.115	.360	.894	.700	.963	33.91	28.32	9.14	22.71	17.78	24.46
A97003-037	37	2	1.485	1.265	.360	.994	.700	.983	37.72	32.13	9.14	25.25	17.78	24.97
A97003-513	51	3	1.435	1.215	.400	1.044	.755	1.058	36.45	30.86	10.16	26.52	19.18	26.87

Straight Elliptical Entry, Split Micro-D Backshell

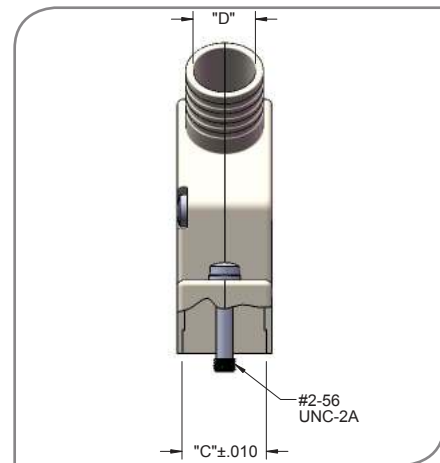
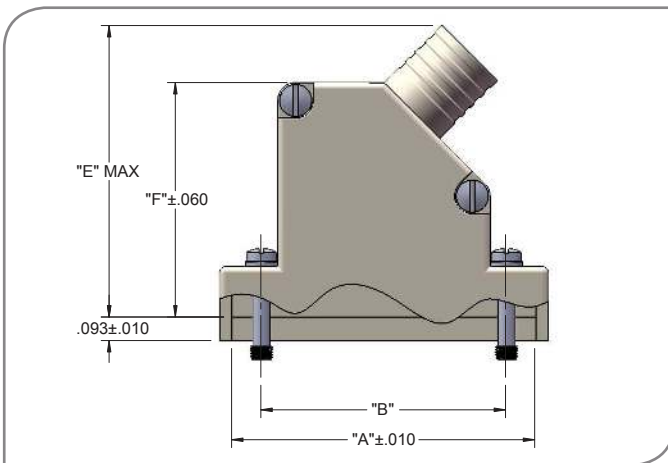
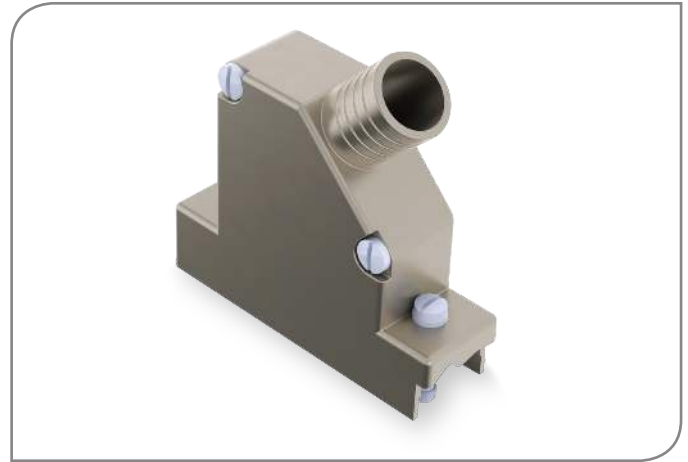
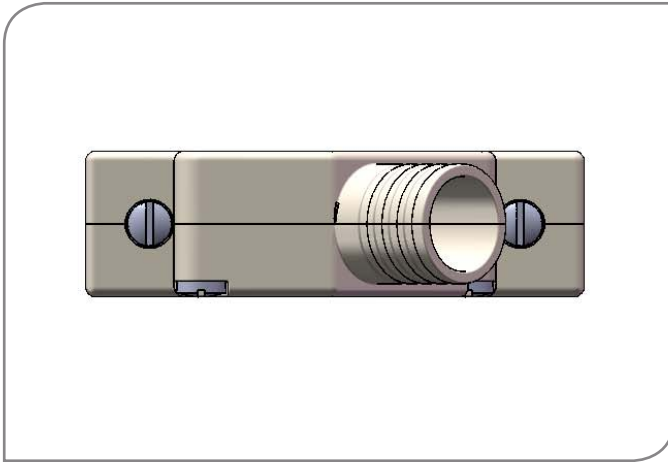


NOTE:
 BACKSHELL MATERIAL: ALUMINUM ALLOY
 FINISH: .0007/.0010 ELECTROLESS NICKEL PER SAE
 AMS-2404 CLASS 3 OR 4 GRADE B
 HARDWARE: PASSIVATED STAINLESS STEEL,
 E-CLIPS (NOT SHOWN).

EACH KIT INCLUDES:
 BACKSHELL, TWO SCREWS AND
 TWO RETAINING CLIPS. ORDER
 ONE KIT PER CONNECTOR

Contacts			English (IN)						Metric (mm)					
Part #	"n"	Rows	"A"	"B"	"C"	"D"	"E"	"F"	"A"	"B"	"C"	"D"	"E"	"F"
Omnetics														
A97004-021	21	2	1.185	.865	.370	.368	.950	.630	30.10	21.97	9.40	9.35	24.13	16.00
A97004-025	25	2	1.285	.965	.370	.468	1.000	.680	32.64	24.51	9.40	11.89	25.40	17.27
A97004-031	31	2	1.435	1.115	.370	.618	1.040	.720	36.45	28.32	9.40	15.70	26.42	18.29
A97004-037	37	2	1.585	1.265	.370	.718	1.080	.760	40.26	32.13	9.40	18.24	27.43	19.30
A97004-513	51	3	1.535	1.215	.410	.768	1.160	.840	38.99	30.86	10.41	19.51	29.46	21.34

45 Degree Round Entry, Split Micro-D Backshell



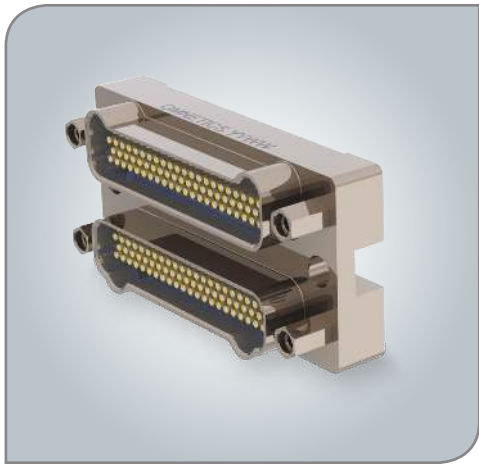
NOTE:

BACKSHELL MATERIAL: ALUMINUM ALLOY
 FINISH: .0007/.0010 ELECTROLESS NICKEL PER SAE
 AMS-2404 CLASS 3 OR 4 GRADE B
 HARDWARE: PASSIVATED STAINLESS STEEL,
 E-CLIPS (NOT SHOWN).

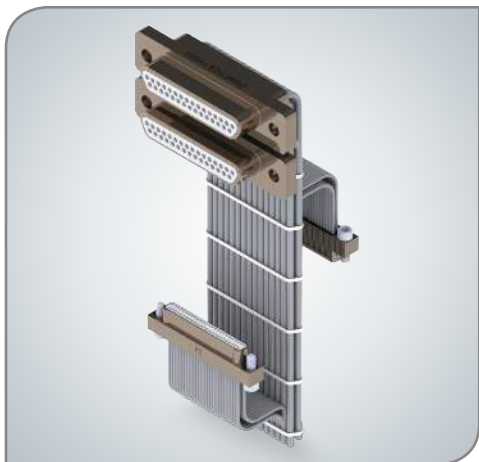
EACH KIT INCLUDES: TWO
 BACKSHELL HALVES, TWO ASSEMBLY
 SCREWS, TWO JACKSCREWS AND TWO
 RETAINING CLIPS. ORDER ONE KIT
 PER CONNECTOR

	Contacts		English (IN)					Metric (mm)						
Omnetics Part #	"n"	Rows	"A"	"B"	"C"	"D"	"E"	"F"	"A"	"B"	"C"	"D"	"E"	"F"
A97005-009	9	2	.796	.565	.318	.160	1.000	.775	20.22	14.35	8.08	4.06	25.40	19.69
A97005-015	15	2	.946	.715	.318	.190	1.050	.825	24.03	18.16	8.08	4.83	26.67	20.96
A97005-021	21	2	1.096	.865	.318	.220	1.100	.860	27.84	21.97	8.08	5.59	27.94	21.84
A97005-025	25	2	1.196	.965	.318	.260	1.150	.925	30.38	24.51	8.08	6.60	29.21	23.50
A97005-031	31	2	1.346	1.115	.318	.275	1.190	.985	34.19	28.32	8.08	6.99	30.23	25.02
A97005-037	37	2	1.496	1.265	.318	.285	1.230	1.050	38.00	32.13	8.08	7.24	31.24	26.67
A97005-513	51	3	1.446	1.215	.361	.350	1.312	1.100	36.73	30.86	9.17	8.89	33.32	27.94

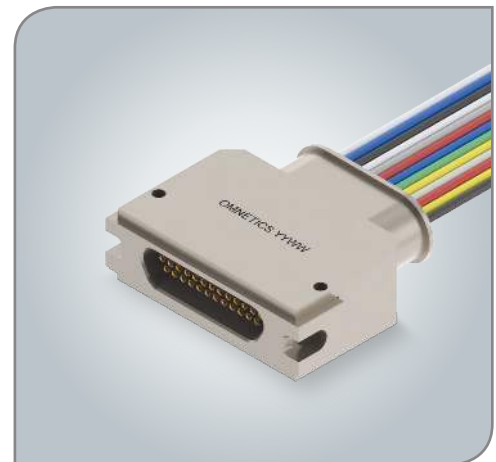
Didn't Find What You Were Looking For?



OMNETICS PROVIDES A WIDE RANGE OF CAPABILITIES TO DESIGN AND CREATE CONNECTORS THAT FIT YOUR INDIVIDUAL NEEDS.



CUSTOM HOUSINGS
MULTI-BODY
SPECIAL MOUNTING
SEALING
CUSTOM JUMPERS
MICRO-D TO ANY
STYLE CONNECTOR
MULTI-CONNECTOR
HARNESSING



CUSTOM BACKSHELLS

CUSTOM OVERMOLDS

