

AXL F UTH8 XC 1F - Temperature module



2702464

<https://www.phoenixcontact.com/us/products/2702464>

Please be informed that the data shown in this PDF document is generated from our online catalog. Please find the complete data in the user documentation. Our general terms of use for downloads are valid.



Axioline F, Temperature recording module, Analog inputs: 8 (8 inputs for thermocouples or linear voltage, plus 1 input -5 V to +5 V), connection technology: 2-conductor (shielded, twisted pair), transmission speed in the local bus: 100 Mbps, Extreme conditions version, degree of protection: IP20, including bus base module and Axioline F connectors

Product description

The module is designed for use within an Axioline F station. It is used to acquire signals from standard thermocouples in industrial applications. The module supports various types of thermocouple conforming to DIN EN 60584-1 and DIN 46710 as well as linear voltages from -100 mV to +100 mV. It also offers a voltage input from -5 V to +5 V. Heating currents can be monitored here, for example, using a measuring transducer. The four Pt 100 inputs (CJ1 ... CJ4) can each be used as a sensor input or as an external cold junction.

Your advantages

- 8 analog input channels for the connection of thermocouples or linear voltages from -100 mV to +100 mV
- 1 analog input channel for the connection of voltages from -5 V to +5 V
- Connection of sensors in 2-conductor technology
- Internal detection and compensation of cold junction temperature (can be parameterized)
- External connection of Pt 100 cold junction sensors possible
- Easy to use due to internal linearization of the sensor characteristic curves
- Low tolerances (typically $\pm 0.01\%$ for sensor type K)
- High temperature stability (typically 5 ppm/K)
- High resistance to electromagnetic interference (Class A)
- "Channel Scout" function
- Device rating plate stored
- Installation monitoring with indication via diagnostic LED for each channel
- Can be used under extreme ambient conditions
- Extended temperature range of -40 °C ... +70 °C (see "Tested successfully: use under extreme ambient conditions" in the data sheet)
- Partially coated PCBs

Commercial data

Item number	2702464
Packing unit	1 pc
Minimum order quantity	1 pc
Sales key	DR02
Product key	DRI243
Catalog page	Page 87 (C-6-2019)
GTIN	4055626459264
Weight per piece (including packing)	282.3 g

AXL F UTH8 XC 1F - Temperature module



2702464

<https://www.phoenixcontact.com/us/products/2702464>

Weight per piece (excluding packing)	144 g
Customs tariff number	85389091
Country of origin	DE

AXL F UTH8 XC 1F - Temperature module

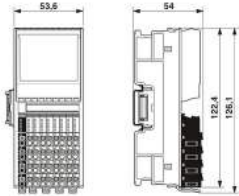


2702464

<https://www.phoenixcontact.com/us/products/2702464>

Technical data

Dimensions

Dimensional drawing	
Width	53.6 mm
Height	126.1 mm
Depth	54 mm
Note on dimensions	The depth applies when a TH 35-7.5 DIN rail is used (in accordance with EN 60715).

Interfaces

Axioline F local bus

Number of interfaces	2
Connection method	Bus base module
Transmission speed	100 Mbps

System properties

Module

Input address area	18 Byte
Output address area	18 Byte
Required parameter data	27 Byte (20 bytes for configuration with GSD AXL UTH 8 (packed))
Required configuration data	7 Byte

Input data

Analog

Input name	Analog inputs
Description of the input	Inputs for thermocouples or linear voltage
Number of inputs	8 + 1 (8 inputs for thermocouples or linear voltage, plus 1 input - 5 V to +5 V)
Connection method	Push-in connection
Connection technology	2-conductor (shielded, twisted pair)
A/D converter resolution	24 bit
Sensor types (RTD) that can be used	Pt 100 (4 external cold junctions, can also be used as a sensor input)
Sensor types that can be used (TC)	U, T, L, J, E, K, N, S, R, B, C, W, HK
Measuring principle	Sigma/Delta process

AXL F UTH8 XC 1F - Temperature module



2702464

<https://www.phoenixcontact.com/us/products/2702464>

Measured value representation	16 bits (15 bits + sign bit)
Input filter time	40 ms
	60 ms
	100 ms
	120 ms (adjustable)
Protective circuit	Short-circuit protection, overload protection of the inputs
	Transient protection of inputs

Product properties

Type	block modular
Product type	I/O component
Product family	Axioline F
Mounting position	any (no temperature derating; Parameterize the mounting position using the object 0080 _{hex} ParaTable!)
Scope of delivery	including bus base module and Axioline F connectors

Insulation characteristics

Overvoltage category	II (IEC 60664-1, EN 60664-1)
Pollution degree	2 (IEC 60664-1, EN 60664-1)

Electrical properties

Potentials

Power consumption	typ. 1.63 W (entire device)
	max. 2.58 W (entire device)

Potentials: Axioline F local bus supply (U_{BUS})

Supply voltage	5 V DC (via bus base module)
Current draw	max. 180 mA
	typ. 115 mA
Power consumption	max. 0.9 W
	typ. 0.55 W

Potentials: Supply for analog modules (U_A)

Supply voltage	24 V DC
Supply voltage range	19.2 V DC ... 30 V DC (including all tolerances, including ripple)
Current draw	max. 70 mA
	typ. 45.3 mA
Power consumption	max. 1.68 W
Protective circuit	Surge protection; electronic (35 V, 0.5 s)
	Reverse polarity protection; Polarity protection diode
	Transient protection; Suppressor diode
Test voltage: 5 V supply of the local bus (U_{BUS}) / 24 V supply (I/Os)	500 V AC, 50 Hz, 1 min.
Test voltage: 5 V supply of the local bus (U_{BUS}) / functional ground	500 V AC, 50 Hz, 1 min.
Test voltage: 24 V supply (I/O) / functional ground	500 V AC, 50 Hz, 1 min.

AXL F UTH8 XC 1F - Temperature module



2702464

<https://www.phoenixcontact.com/us/products/2702464>

Connection data

Connection technology

Connection name	Axioline F connector
Note on the connection method	Please observe the information provided on conductor cross sections in the "Axioline F: system and installation" user manual.

Conductor connection

Connection method	Push-in connection
Conductor cross section rigid	0.2 mm ² ... 1.5 mm ²
Conductor cross section flexible	0.2 mm ² ... 1.5 mm ²
Conductor cross section AWG	24 ... 16
Stripping length	8 mm

Axioline F connector

Connection method	Push-in connection
Note on the connection method	Please observe the information provided on conductor cross sections in the "Axioline F: system and installation" user manual.
Conductor cross section, rigid	0.2 mm ² ... 1.5 mm ²
Conductor cross section, flexible	0.2 mm ² ... 1.5 mm ²
Conductor cross section AWG	24 ... 16
Stripping length	8 mm

Environmental and real-life conditions

Ambient conditions

Ambient temperature (operation)	-25 °C ... 60 °C (Standard, applications with UL approval, use in zone 2 potentially explosive area) -40 °C ... 70 °C (Extended, see section "Tested successfully: use under extreme ambient conditions" in the data sheet.)
Degree of protection	IP20
Air pressure (operation)	70 kPa ... 106 kPa (up to 3000 m above sea level)
Air pressure (storage/transport)	70 kPa ... 106 kPa (up to 3000 m above sea level)
Ambient temperature (storage/transport)	-40 °C ... 85 °C
Permissible humidity (operation)	5 % ... 95 % (non-condensing)
Permissible humidity (storage/transport)	5 % ... 95 % (non-condensing)

Standards and regulations

Protection class	III (IEC 61140, EN 61140, VDE 0140-1)
------------------	---------------------------------------

Approvals

ATEX

Identification	Ⓜ II 3 G Ex ec IIC T4 Gc
Certificate	UL 20 ATEX 2441X

UKEX

Identification	Ⓜ II 3 G Ex ec IIC T4 Gc
----------------	--------------------------

AXL F UTH8 XC 1F - Temperature module



2702464

<https://www.phoenixcontact.com/us/products/2702464>

Certificate	PxCIMA22UKEX2701949X
-------------	----------------------

IECEX

Identification	Ex ec IIC T4 Gc
Certificate	IECEX ULD 20.0026X

UL, USA/Canada

Identification	cULus
Certificate	E238705

UL Ex, USA / Canada

Identification	Class I, Zone 2, AEx ec IIC T4
	Class I, Division 2, Groups A, B, C, D, T4
	Ex ec IIC T4 Gc X
Certificate	E366272

CCC / China-Ex

Identification	Ex ec IIC T4 Gc
Certificate	@®. 

Mounting

Mounting type	DIN rail mounting
Mounting position	any (no temperature derating; Parameterize the mounting position using the object 0080 _{hex} ParaTable!)

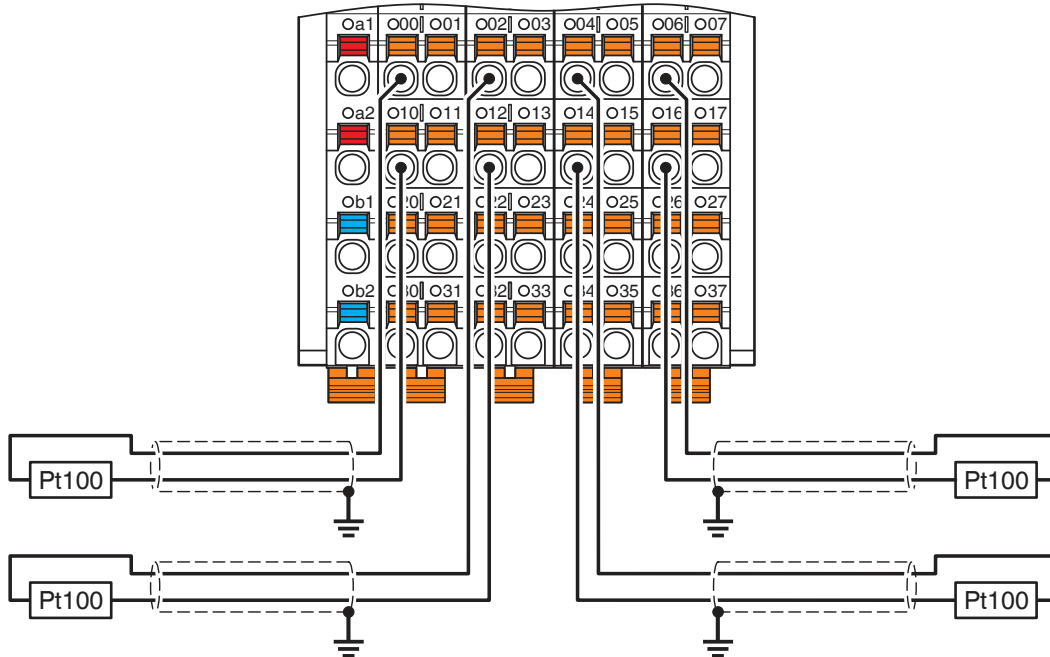
AXL F UTH8 XC 1F - Temperature module

2702464

<https://www.phoenixcontact.com/us/products/2702464>

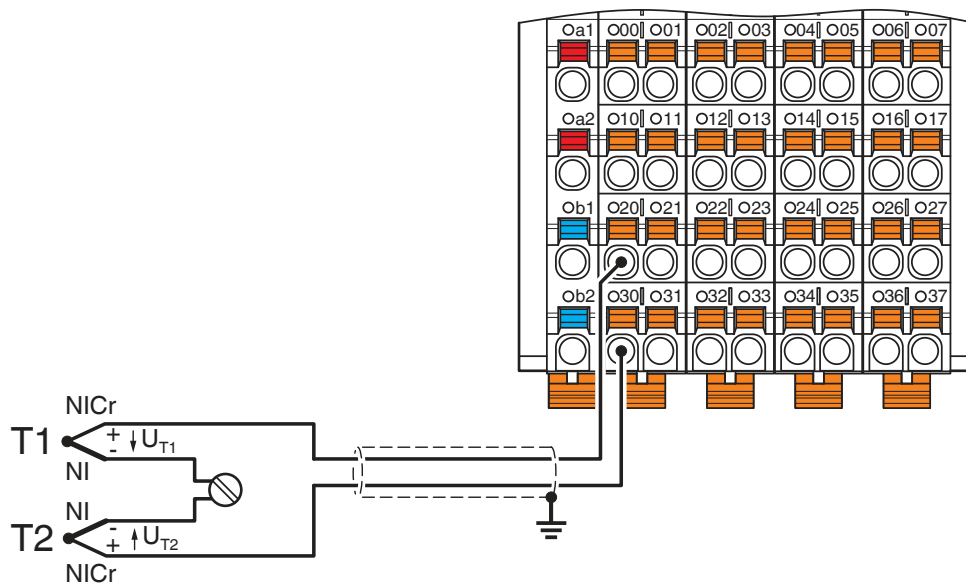
Drawings

Connection diagram



Pt 100 detection

Connection diagram



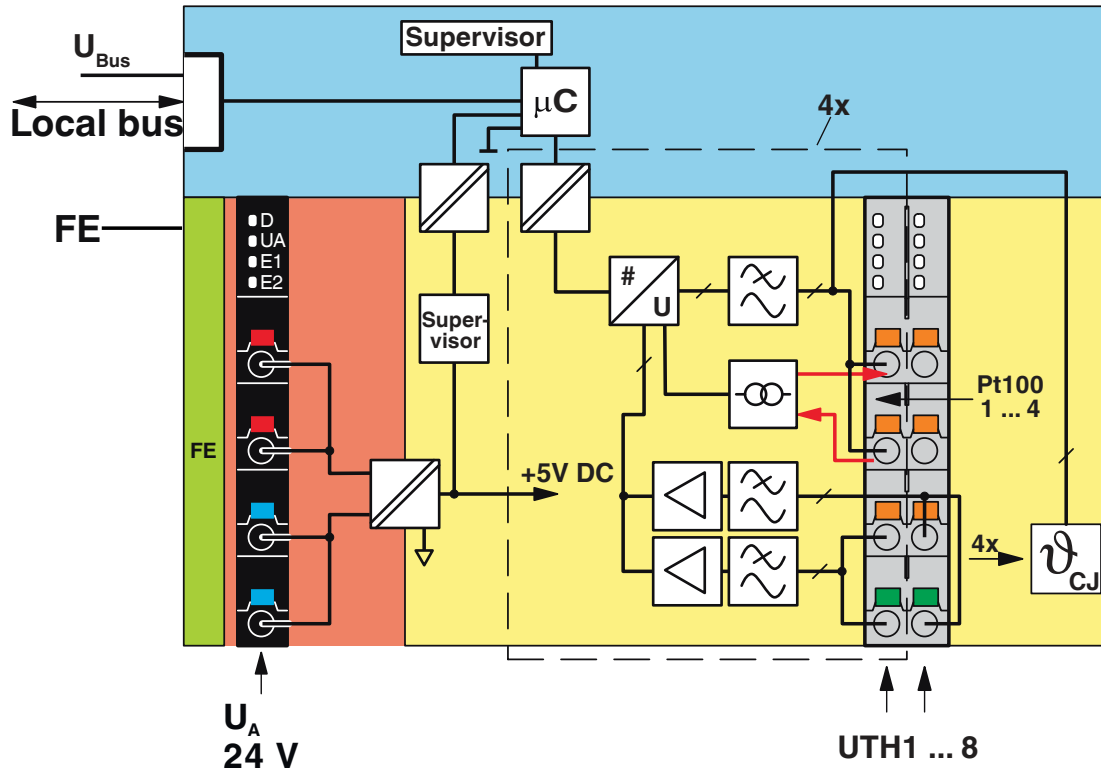
Differential temperature measurement

AXL F UTH8 XC 1F - Temperature module

2702464

<https://www.phoenixcontact.com/us/products/2702464>

Block diagram



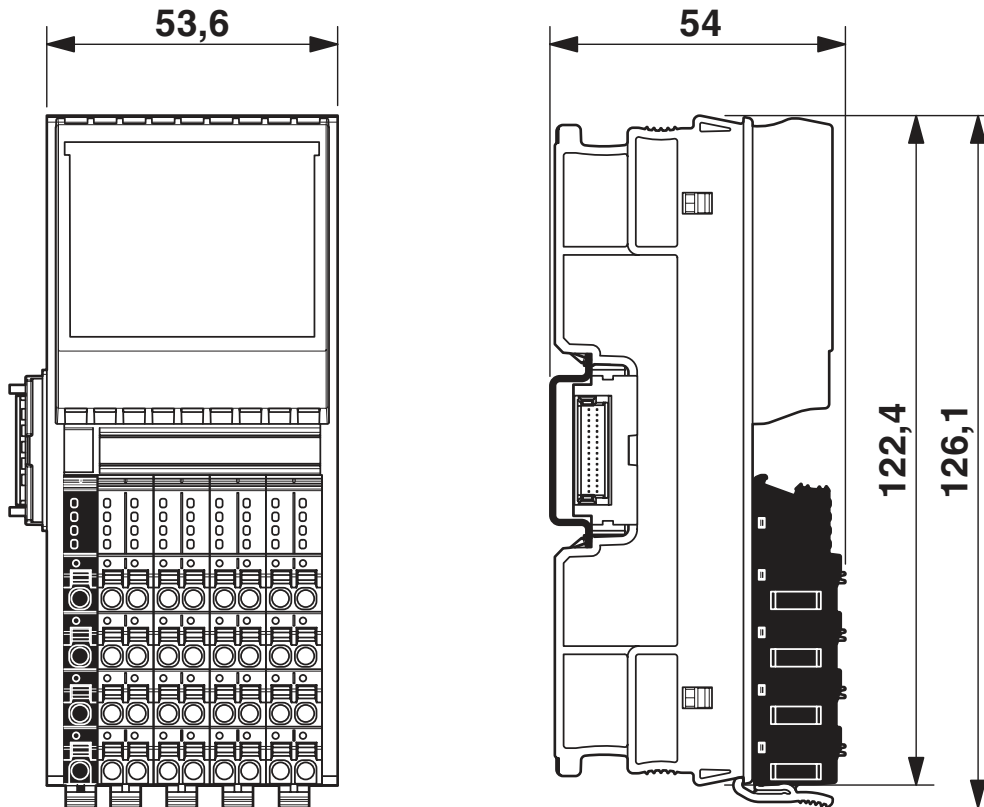
Internal wiring of the terminal points

AXL F UTH8 XC 1F - Temperature module

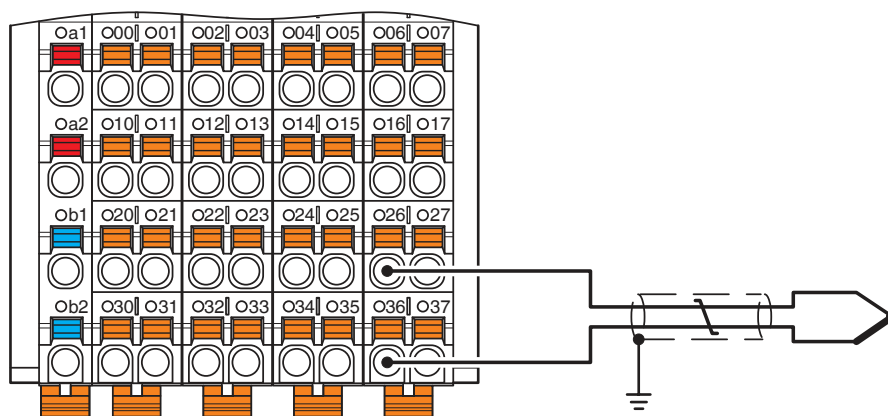
2702464

<https://www.phoenixcontact.com/us/products/2702464>

Dimensional drawing



Connection diagram



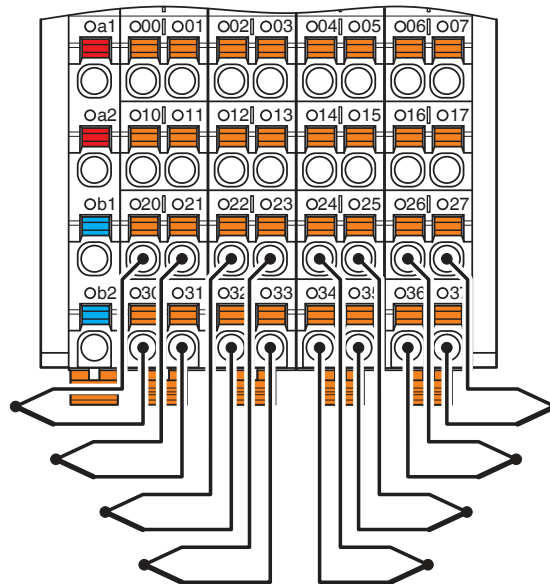
AXL F UTH8 XC 1F - Temperature module

2702464

<https://www.phoenixcontact.com/us/products/2702464>



Connection diagram



Connection example: absolute temperature measurement

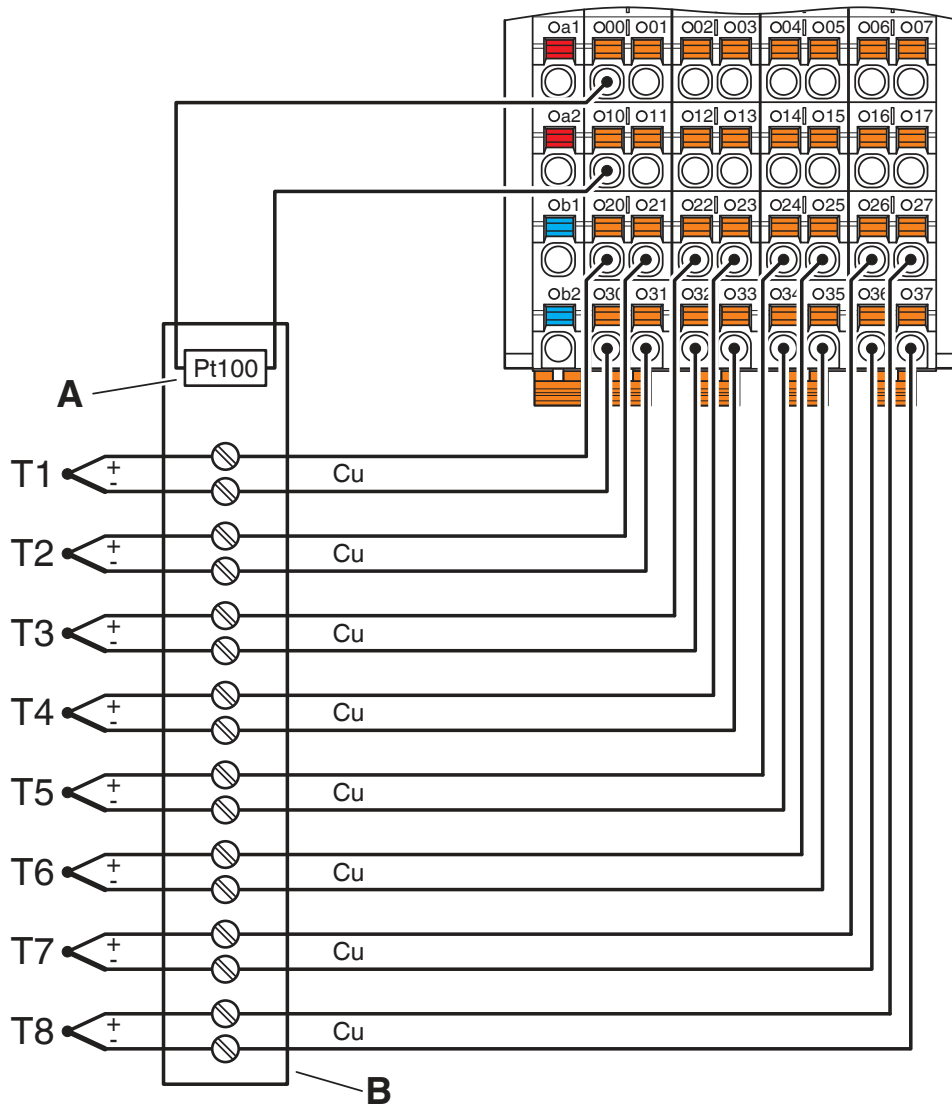
AXL F UTH8 XC 1F - Temperature module



2702464

<https://www.phoenixcontact.com/us/products/2702464>

Connection diagram



Thermocouple detection with external cold junction compensation at channel 1

AXL F UTH8 XC 1F - Temperature module



2702464

<https://www.phoenixcontact.com/us/products/2702464>

Approvals

To download certificates, visit the product detail page: <https://www.phoenixcontact.com/us/products/2702464>



IECEx

Approval ID: IECEx ULD 20.0026X



ATEX

Approval ID: UL 20 ATEX 2441X



cULus Listed

Approval ID: FILE E 366272



CCC

Approval ID: 2021122309114456_CN

AXL F UTH8 XC 1F - Temperature module



2702464

<https://www.phoenixcontact.com/us/products/2702464>

Classifications

ECLASS

ECLASS-11.0	27242601
ECLASS-12.0	27242601
ECLASS-13.0	27242601

ETIM

ETIM 8.0	EC001596
----------	----------

UNSPSC

UNSPSC 21.0	32151600
-------------	----------

AXL F UTH8 XC 1F - Temperature module



2702464

<https://www.phoenixcontact.com/us/products/2702464>

Environmental product compliance

REACH SVHC	Lead 7439-92-1
China RoHS	Environmentally Friendly Use Period = 50 years
	For information on hazardous substances, refer to the manufacturer's declaration available under "Downloads"

AXL F UTH8 XC 1F - Temperature module



2702464

<https://www.phoenixcontact.com/us/products/2702464>

Accessories

AXL F BS F - Bus connector

2688129

<https://www.phoenixcontact.com/us/products/2688129>



Axioline F bus base module for housing type F

AXL SHIELD SET - Shield connection

2700518

<https://www.phoenixcontact.com/us/products/2700518>



Axioline shield connection set (contains 2 shield bus holders and 2 SK 5 shield connection clamps)

AXL F UTH8 XC 1F - Temperature module

2702464

<https://www.phoenixcontact.com/us/products/2702464>

ZB 20,3 AXL UNPRINTED - Zack marker strip

0829579

<https://www.phoenixcontact.com/us/products/0829579>



Zack marker strip for Axioline F (device labeling), in 2 x 20.3 mm pitch, unprinted, 25-section, for individual labeling with B-STIFT 0.8, X-PEN, or CMS-P1-PLOTTER

ZBF 10/5,8 AXL UNPRINTED - Zack Marker strip, flat

0829580

<https://www.phoenixcontact.com/us/products/0829580>



Zack Marker strip, flat, Strip, white, unlabeled, can be labeled with: PLOTMARK, CMS-P1-PLOTTER, mounting type: snapped, for terminal block width: 10.15 mm, lettering field size: 4 x 10, 15 x 5 mm, 1 x 5.8 x 5 mm, Number of individual labels: 50

AXL F UTH8 XC 1F - Temperature module

2702464

<https://www.phoenixcontact.com/us/products/2702464>



MTKD-CU/CUNI - Thermoelectric voltage terminal block pair

3100059

<https://www.phoenixcontact.com/us/products/3100059>



Thermoelectric voltage terminal block pair, TC type T, nom. voltage: 400 V, nominal current: 1 A, number of connections: 4, number of positions: 2, connection method: Screw connection, 1 level, cross section: 0.2 mm² - 4 mm², mounting type: NS 35/7,5, NS 35/15, NS 32, color: gray

MTKD-FE/CUNI - Thermoelectric voltage terminal block pair

3100046

<https://www.phoenixcontact.com/us/products/3100046>



Thermoelectric voltage terminal block pair, TC type J, nom. voltage: 400 V, nominal current: 1 A, number of connections: 4, number of positions: 2, connection method: Screw connection, 1 level, cross section: 0.2 mm² - 4 mm², mounting type: NS 35/7,5, NS 35/15, NS 32, color: gray

AXL F UTH8 XC 1F - Temperature module

2702464

<https://www.phoenixcontact.com/us/products/2702464>

MTKD-NICR/CUNI - Thermoelectric voltage terminal block pair

3100075

<https://www.phoenixcontact.com/us/products/3100075>



Thermoelectric voltage terminal block pair, TC type E, nom. voltage: 400 V, nominal current: 1 A, number of connections: 4, number of positions: 2, connection method: Screw connection, 1 level, cross section: 0.2 mm² - 4 mm², mounting type: NS 35/7,5, NS 35/15, NS 32, color: gray

MTKD-NICR/NI - Thermoelectric voltage terminal block pair

3100062

<https://www.phoenixcontact.com/us/products/3100062>



Thermoelectric voltage terminal block pair, TC type K, nom. voltage: 400 V, nominal current: 1 A, number of connections: 4, number of positions: 2, connection method: Screw connection, 1 level, cross section: 0.2 mm² - 4 mm², mounting type: NS 35/7,5, NS 35/15, NS 32, color: gray

AXL F UTH8 XC 1F - Temperature module

2702464

<https://www.phoenixcontact.com/us/products/2702464>



MTKD-E-CU/A-CU - Thermoelectric voltage terminal block pair

3100091

<https://www.phoenixcontact.com/us/products/3100091>



Thermoelectric voltage terminal block pair, TC type R, nom. voltage: 400 V, nominal current: 1 A, number of connections: 4, number of positions: 2, connection method: Screw connection, 1 level, cross section: 0.2 mm² - 4 mm², mounting type: NS 35/7,5, NS 35/15, NS 32, color: gray

MTKD-S-CU/E-CU - Thermoelectric voltage terminal block pair

3100101

<https://www.phoenixcontact.com/us/products/3100101>



Thermoelectric voltage terminal block pair, TC type B, nom. voltage: 400 V, nominal current: 1 A, number of connections: 4, number of positions: 2, connection method: Screw connection, cross section: 0.2 mm² - 4 mm², mounting type: NS 35/7,5, NS 35/15, NS 32, color: gray

AXL F UTH8 XC 1F - Temperature module



2702464

<https://www.phoenixcontact.com/us/products/2702464>

EMT (35X46)R - Insert label

0801604

<https://www.phoenixcontact.com/us/products/0801604>



Insert label, for marking the Axioline F series from Phoenix Contact, Roll, white, unlabeled, can be labeled with: THERMOMARK E.300 (D)/600 (D), THERMOMARK ROLL 2.0, THERMOMARK ROLL, THERMOMARK ROLL X1, THERMOMARK ROLLMaster 300/600, THERMOMARK X1.2, mounting type: insert, lettering field size: 35 x 46 mm, Number of individual labels: 500

Phoenix Contact 2023 © - all rights reserved

<https://www.phoenixcontact.com>

Phoenix Contact USA
586 Fulling Mill Road
Middletown, PA 17057, United States
(+717) 944-1300
info@phoenixcon.com