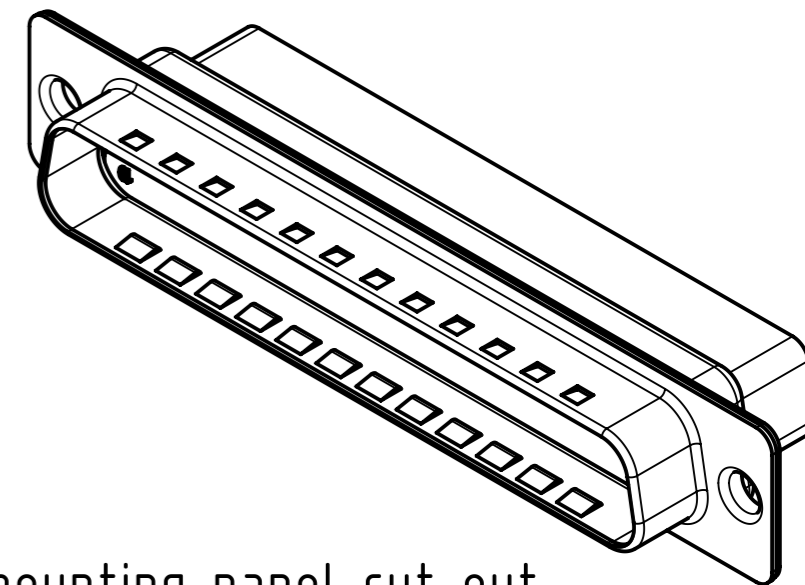
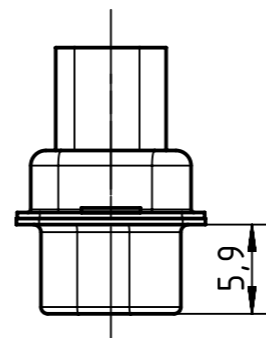
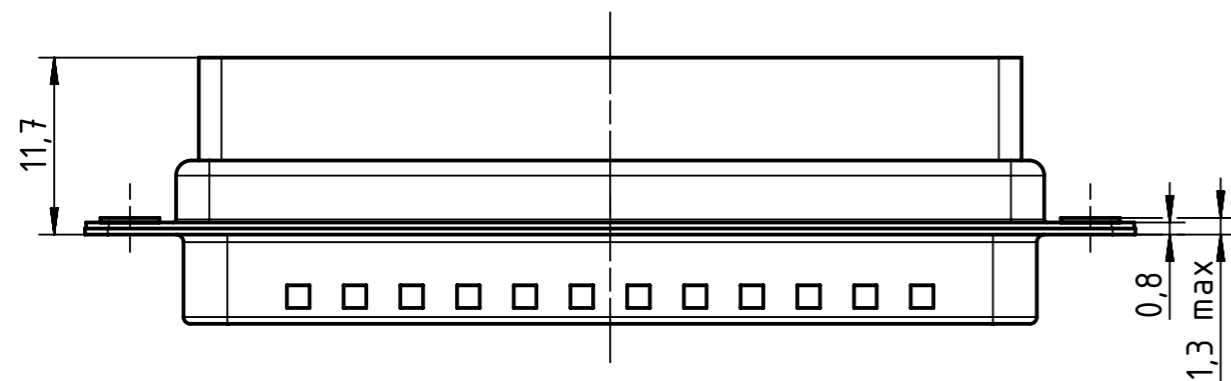
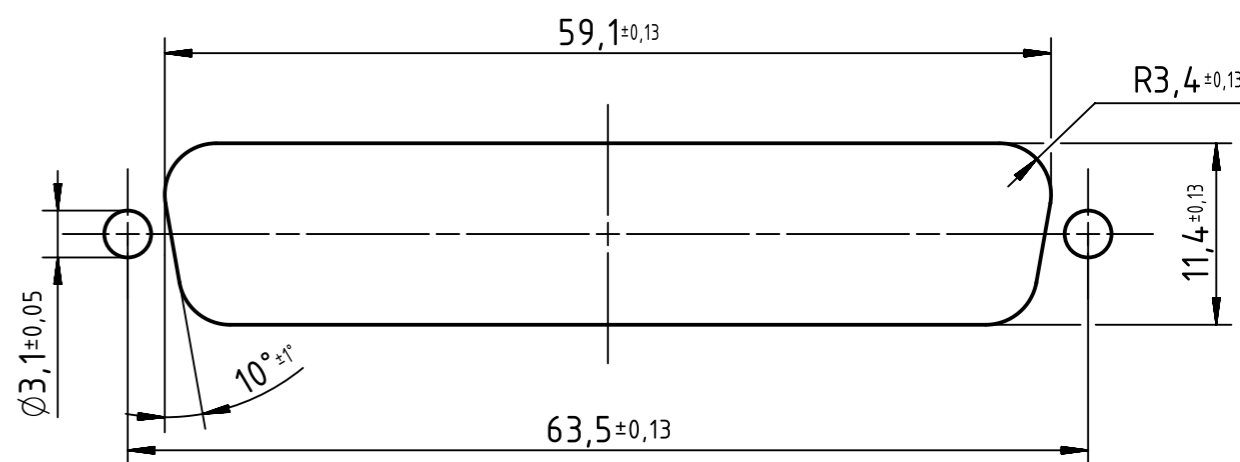


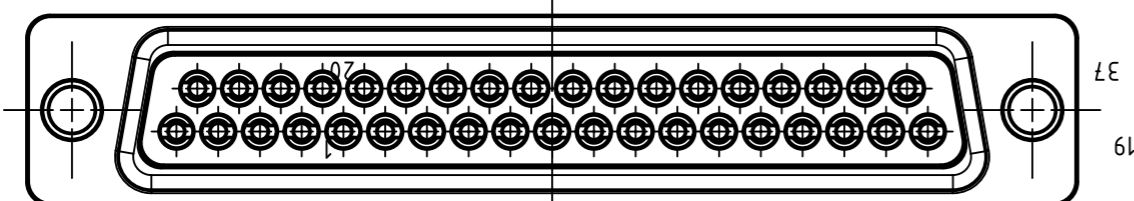
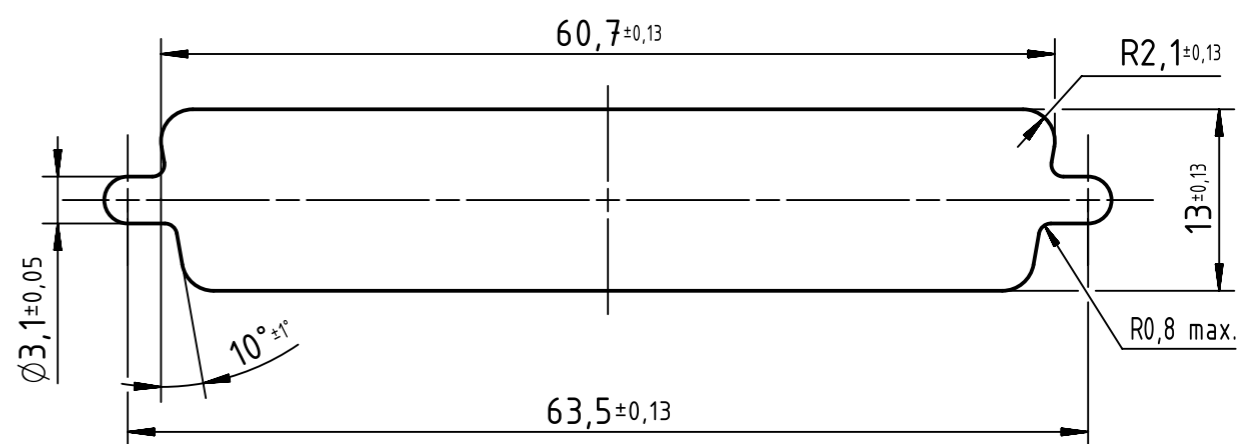
Mating face according to CECC 75301-802



Rear mounting panel cut out



Front mounting panel cut out



	All rights reserved	Created by	Inspected by	Standardisation	Date	State	
	Department EC PD - CN	ZHUANGJ	LUOK	HOFFMANN	2017-04-06	Final Release	
HARTING Electronics GmbH D-32339 Espelkamp		Title D-Sub crimp 37-pole male assembly				Doc-Key / ECM-Nr. 100235538/UGD/001/B 500000117639	
		Type	Number		Rev.	Page	
		TB	09670375601		B	1/1	