

THIS DRAWING IS UNPUBLISHED. RELEASED FOR PUBLICATION JAN ,2006.

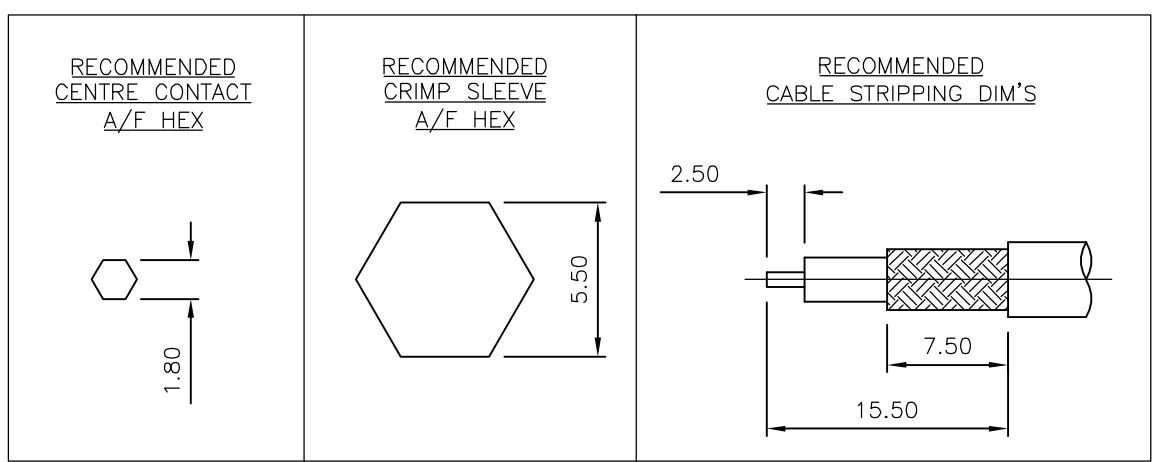
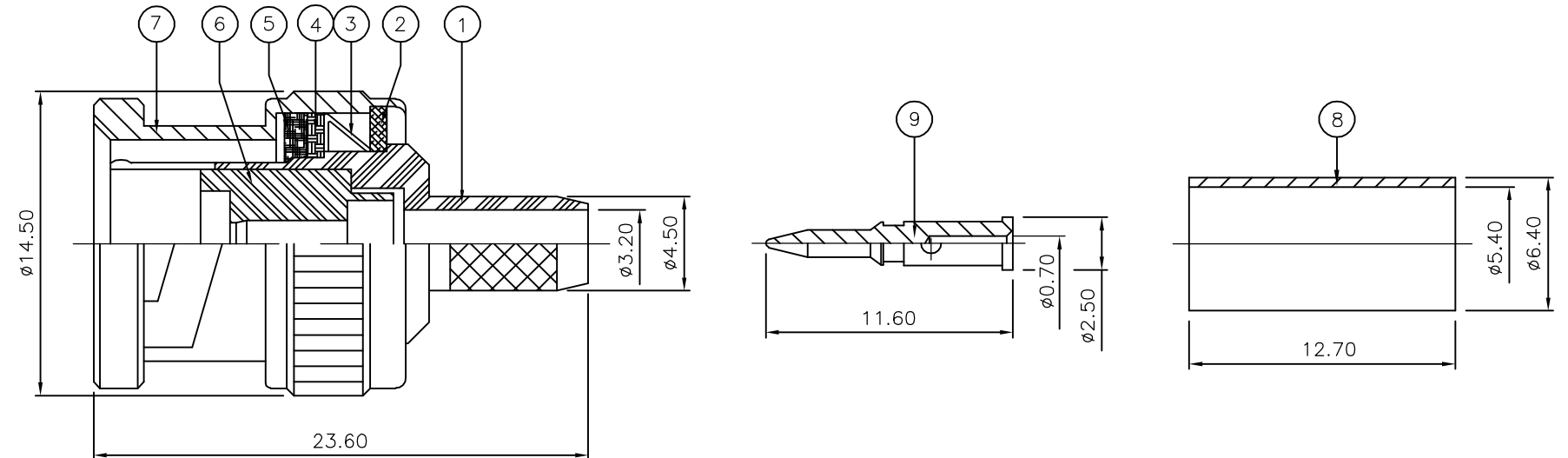
© COPYRIGHT 2006 BY TYCO ELECTRONICS CORPORATION. ALL RIGHTS RESERVED.

| LOC | DIST | REVISIONS | | | | | |
|-----|------|-----------|-----|---------------|---------|-----|------|
| E | B | P | LTR | DESCRIPTION | DATE | DWN | APVD |
| | | C | | ECR-06-001518 | 19JAN06 | JMS | FWK |

NOTES:

- 1 PACK IN ACCORDANCE WITH AMP SPEC 107-3275
- 2 100 TRAY PACK IN ACCORDANCE WITH AMP SPEC 107-3275
- 3 Au PLATING
- 4 Ni PLATING
- 5 THIS ITEM MUST BE WHITE
- 6 HAND TOOL : 9-1478240-0
- 7 DIE SET : 9-1478242-0
- 8 ELECTRICAL CHARACTERISTICS
 FREQUENCY RANGE: DC - 2 GHz
 NOMINAL IMPEDANCE: 75 Ohm

 INSULATION RESISTANCE: 5000 MOhm
 WORKING VOLTAGE: 500 Volts RMS at Sea Level
 DIELECTRIC WITHSTAND VOLTAGE: 1500 Volts RMS Max
 CONTACT RESISTANCE:
 CENTRE CONTACT: 1.50 mOhm Max
 OUTER CONTACT: 0.20 mOhm Max
 VSWR @ 2GHz: 1.20:1 Max
 INSERTION LOSS dB @ x 2 GHz: 0.20 Max
- 9 MECHANICAL CHARACTERISTICS
 COUPLING RETENTION FORCE: 445N Min
 CABLE RETENTION FORCE: 170N Min
 DURABILITY: 500 Cycles Min
- 10 ENVIRONMENTAL CHARACTERISTICS
 OPERATING TEMPERATURE: -65 to +165 DegC



| QTY | QTY PER ASSY | MATERIAL | DESCRIPTION | ITEM | |
|------|--------------|-----------------|----------------|-------------|------|
| 1 | 1 | BRASS | CONTACT | 9 | |
| 1 | 1 | BRASS | FERRULE | 8 | |
| 1 | 1 | BRASS | SHELL | 7 | |
| 1 | 1 | PTFE | INSULATION | 6 | |
| 1 | 1 | SILICONE RUBBER | GASKET | 5 | |
| 1 | 1 | BRASS | RETAINING RING | 4 | |
| 1 | 1 | SPRING STEEL | SPRING | 3 | |
| 1 | 1 | BRASS | WASHER | 2 | |
| 1 | 1 | BRASS | BODY | 1 | |
| 6--0 | 1--0 | | MATERIAL | DESCRIPTION | ITEM |

| | | | | |
|----------------------------------------|--|-----------------------------------|---------------------------------------------------------------------------------|--------------------|
| THIS DRAWING IS A CONTROLLED DOCUMENT. | | DWN J.SANDWELL 19JAN06 | Tyco Electronics Corporation Bideford EX39 4HE | |
| DIMENSIONS: mm | | CHK S.PARLOW 19JAN06 | | |
| TOLERANCES UNLESS OTHERWISE SPECIFIED: | | APVD F.WHEELER-KING 19JAN06 | NAME BNC STRAIGHT PLUG CRIMP 75 OHM E4205,NEK23795,SDV-S-LFH36-516,36-519 | |
| MATERIAL SEE TABLE | | PRODUCT SPEC - | APPLICATION SPEC - | |
| FINISH - | | WEIGHT - | SIZE A3 | CAGE CODE 00779 |
| | | CUSTOMER DRAWING | DRAWING NO G-1337511 | RESTRICTED TO - |
| | | SCALE NTS | SHEET 1 OF 1 | REV C |