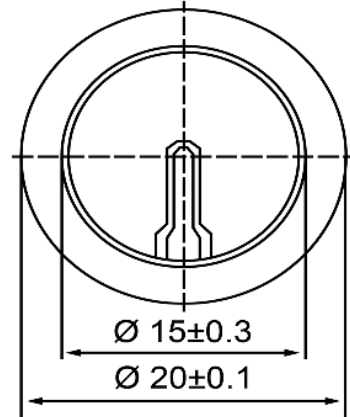
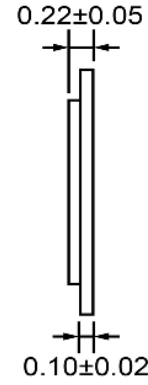


TOP VIEW



SIDE VIEW



Specifications		
Description	Value	Unit
Resonant Frequency	3,900	(Hz)
Resonant Impedance (Max)	400	(Ohm)
Max Input Voltage	30	(V)
Capacitance	25,000	(pF)
Plate Material	Brass	
Operating Temperature	-20 ~ +60	°C
Storage Temperature	-30 ~ +70	°C

Notes
1) All dimensions are in mm unless otherwise noted 2) All parts meet RoHS



Revision History					
Version	Description	Date	Approved		
1	Released from Engineering	10/21/2013	J.S		
Drawn by	Date	Checked by	Date	Approved by	Date
A.B.	10/21/2013	C.E.	10/21/2013	J.S	10/21/2013

Piezo Bender

**P20039-1**

Additional considerations can be found at [www.dbunlimitedco.com/technical-articles](http://www.dbunlimitedco.com/technical-articles).