

Datasheet for (CO) Transmitter

COD-200(L)



COD-200



COD-200L (with LCD Display)

General

COD-200 and COD-200L are the CO Transmitter which detect CO gas of the air and send signal to controller for the protect people at parking lots, Industrial working places and Buildings. COD-200 is upgraded from COD-100 to give wide reading range and better accuracy and stability.

Features

- Semiconductor used to measure CO levels.
- Fast Response.
- 3wired / 4 wired model or with/without LCD display model is selectable
- Output mode : 4-20mA / 2-10V
(Option: 0-20mA / 0-10V on purchase)
- Exclusive Compensation Algorithm is adapted.

※ Design or Specification of COD-200(L) could be changed without prior notice.

COD-200(L) CO Detector Specifications

General Performance

Operating Temperature range

-10 ~ 50°C

Operating Humidity range

10 ~ 90% RH (Non-condensing)

Storage Temperature

-30°C ~60°C

Storage Humidity

10~95%RH (Non-condensing)

CO Measurement

Sensing Method

Semiconductor Type

Measurement Range

0 to 250 ppm(0 to 100, 300 ppm is option)

Accuracy

At 20°C, 50%RH after 4days since power-on.

0~100ppm : ±5% FS

100~250/300 : ±10% FS

Response Time

< 1 minutes

Sampling Interval

Every 30 seconds.

Sensor Life Expectancy

Over 3 years

Electrical Data

Power Input & Tolerance

24VDC (3-Wired) or 24VAC/24VDC (4-Wired)

17.5~30 V_{AC} / V_{DC} ,

Option (12VDC : need counsel before ordering)

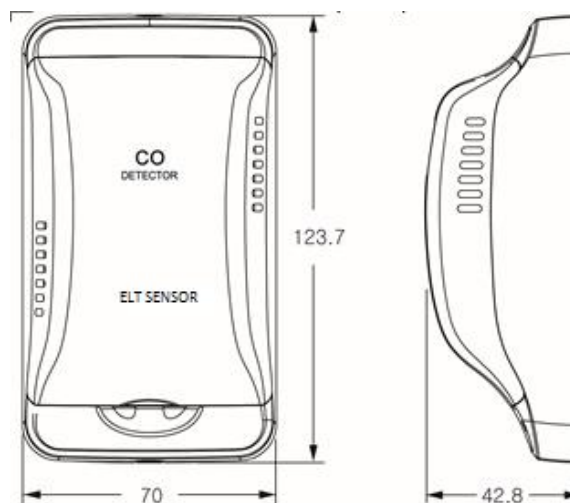
Output

Current output 4 ~ 20mA is set as default.

Voltage output 2 ~ 10VDC

(0-20mA and 0-10V can be selected instead by designating on ordering process.)

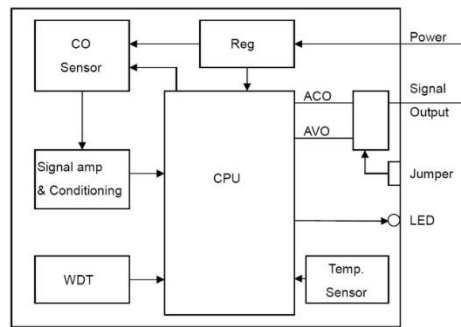
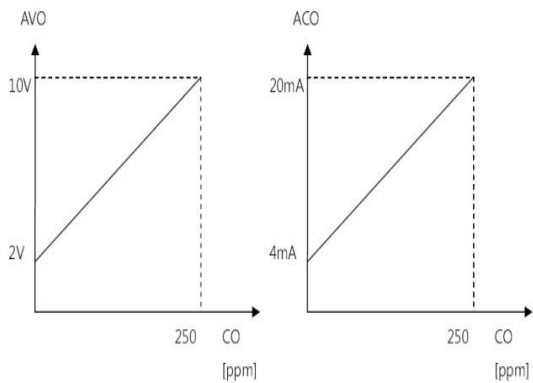
Dimensions (unit : mm)



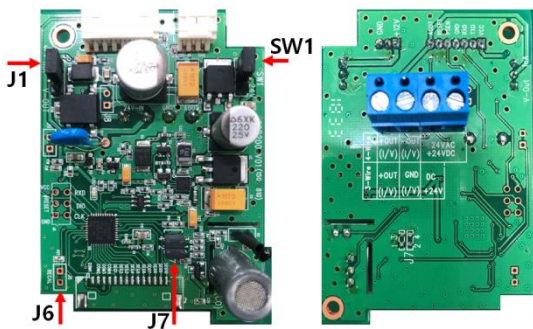
- Dimension : 123.7mm x 70mm x 42.8mm
(Length x Width x Thickness)

Analog Voltage & Current Output and Block Diagram

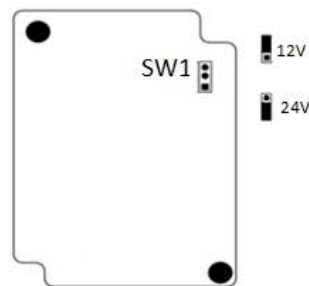
Analog Voltage(V) or Current(I) Output



Jumper location on PCB



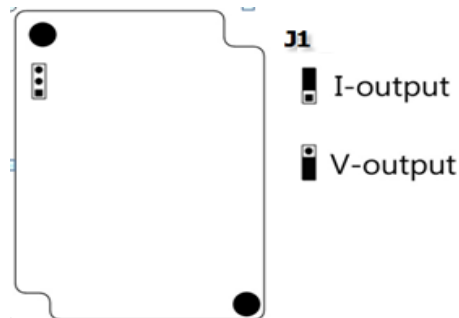
SW1 : Power input selection



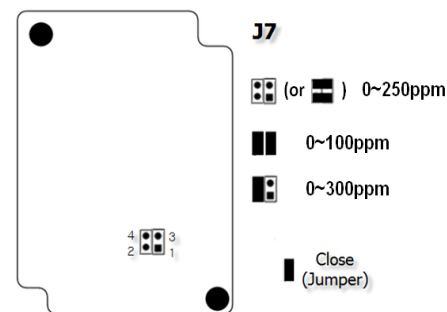
24V is default.

(need counsel on ordering to use 12V instead)

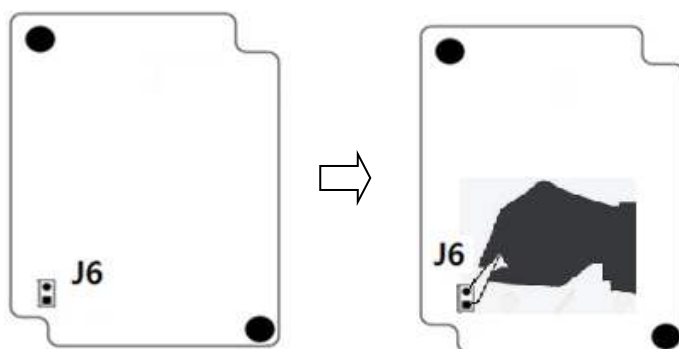
J1 : V/mA output selection



J7: CO range selection



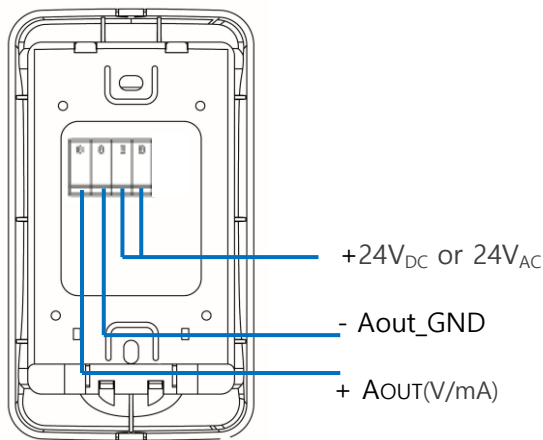
J6: Zero Calibration



※ Locate sensor powered at fresh air where Co gas is not exist (0ppm). Let J6's two holes short, using tweezers or so, to initiate Zero-calibration takes 2~2.5 minutes until LED blinking stop.

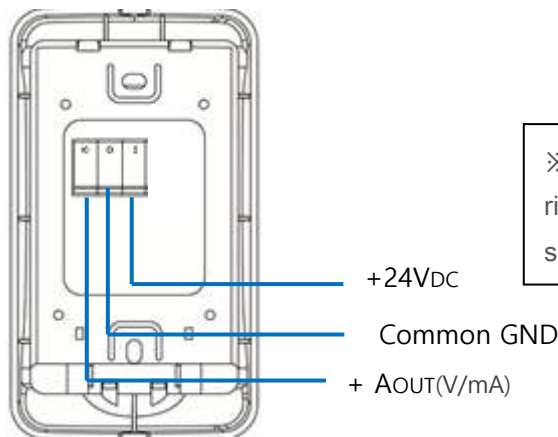
Wiring Method

4-Wired(AOUT, GND, 24V(+/-)_AC/DC)



※Please make it sure to use either 24VDC+ or 24AC(+/-) power wire only on right location because the insertion into wrong location such as AOUT port brings the serious failure.

3-Wired(AOUT, Common_GND, +24VDC)



※Please make it sure to use +24VDC power wire only on right location because the insertion into wrong location such as AOUT port brings the serious failure.

Ordering Code with Option selection

Ordering Code	LCD	3 wired or 4 wired	Remark
COD-200-4W	X	4 wired (AOUT+,AOUT_GND, 24VAC(+/-) or 24VDC)	4wired Default
COD-200L-4W	O	4 wired (AOUT+,AOUT_GND, 24VAC(+/-) or 24VDC)	+ LCD(O),
COD-200-3W	X	3wired (AOUT, Common_GND, +24VDC)	3wired Default
COD-200L-3W	O	3wired (AOUT, Common_GND, +24VDC)	+ LCD(O)

ELT Sensor Corp.

(ChunuiTechnopark 101-909) 36, Bucheon-ro 198beon-gil,
 Wonmi-gu, Bucheon-si, Gyeonggi-do, 420-857, Korea
 Phone : 82-32-719-8055, Fax : 82-70-8677-8055
<http://www.eltensor.co.kr>

2015 ELT Sensor All rights reserved.
 Subject to change without notice. Printed
 2015. Oct.