

DWG. NO.

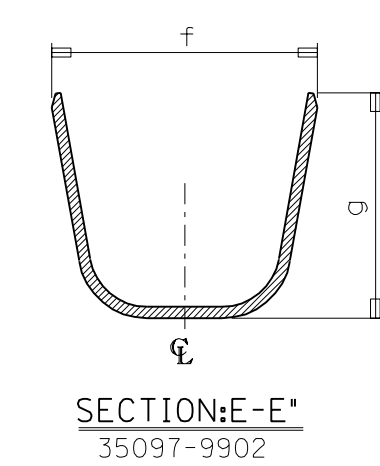
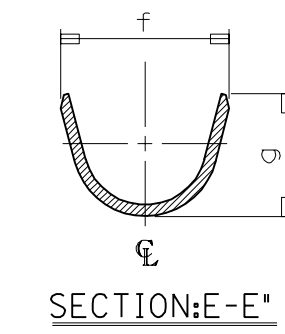
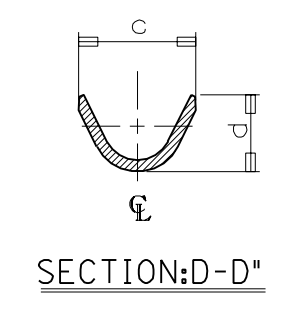
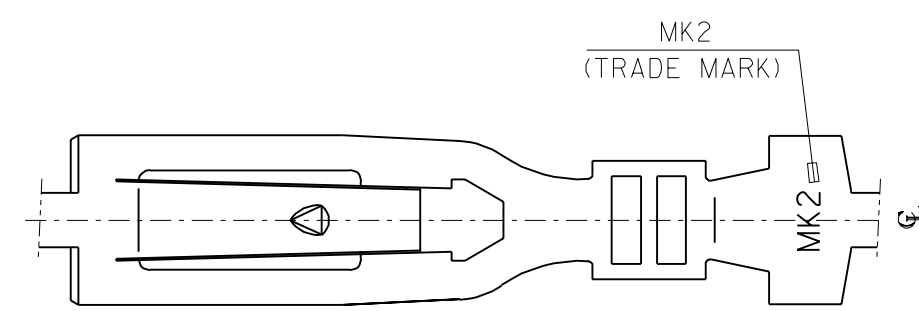
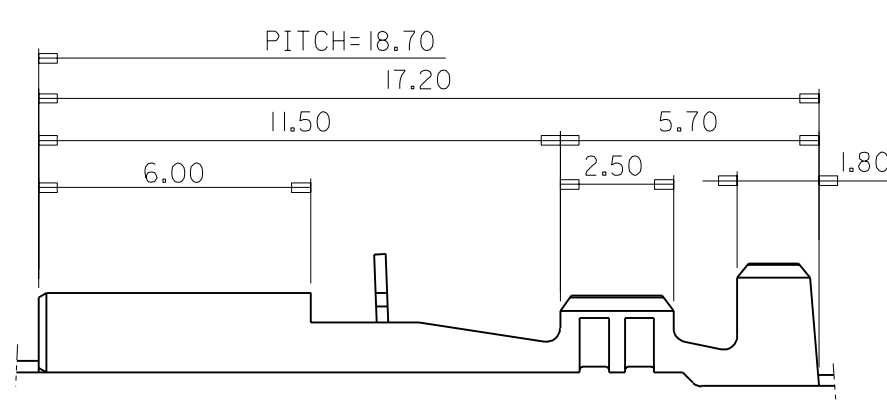
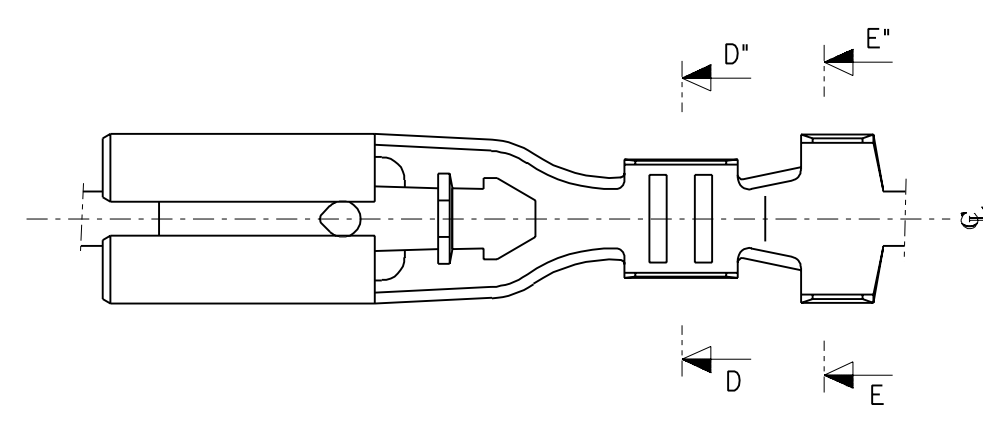
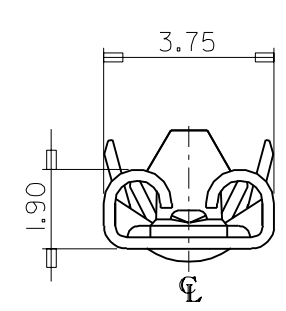
SIMILAR ITEM

PROJECT NO.

C

B

DO NOT SCALE DRAWING DIMENSION IN METRIC



- NOTES**
- MATERIAL: TIN-PLATED BRASS 0.25mm THICK'
 - FINISH: PRE-TIN PLATING
 - MATING TAB: 0.5(+) \times 2.8(w)

ENG.NO.	c	d	f	g	WIRE RANGE
35097-9712	2.0	1.85	3.3	3.0	AWG #26-#20
35097-9812	2.8	2.75	4.0	4.1	AWG #20-#16
35097-9912	2.8	2.75	5.9	5.0	AWG #20 \times 2

REVISED EC NO. KOR2000-0090 DRWN: W.Y.YANG 00/11/08 CHK: APPR:	DESCRIPTION	QUALITY SYMBOLS	MAJOR $\blacktriangledown = 0$	CRITICAL $\blacktriangle = 0$	GENERAL TOLERANCES: (UNLESS SPECIFIED)	SCALE 6:1	DESIGN UNITS <input checked="" type="checkbox"/> mm <input type="checkbox"/> INCH	THIRD ANGLE PROJECTION <input checked="" type="checkbox"/>	DIMENSIONS: <input type="checkbox"/> mm <input type="checkbox"/> INCH <input checked="" type="checkbox"/> mm ONLY	SHT	REV
		REV	4 PLACES $\pm 0.$	3 PLACES $\pm 0.$	2 PLACES ± 0.30	1 PLACE ± 0.30	mm	INCH	mm	ONLY	REVISE ON CAD ONLY
D1					ANGULAR: $\pm 5.0^\circ$	DRAWN BY & DATE W.Y.YANG 98/02/17		TITLE: .110 MP-LOCK RECEPTACLE TERMINAL			
					DRAFT WHERE APPLICABLE MUST REMAIN WITHIN DIMENSIONS	CHECKED BY & DATE B.K.CHOI 98/02/17		MOLEX INCORPORATED KOREA			
						CAD FILENAME S0979712.DGN	MATERIAL NO. SEE TABLE	DRAWING NO. SD 35097-9*12	SHEET NO. 10F1	THIS DRAWING CONTAINS INFORMATION THAT IS PROPRIETARY TO MOLEX INCORPORATED AND SHOULD NOT BE USED WITHOUT WRITTEN PERMISSION.	
										SIZE B	