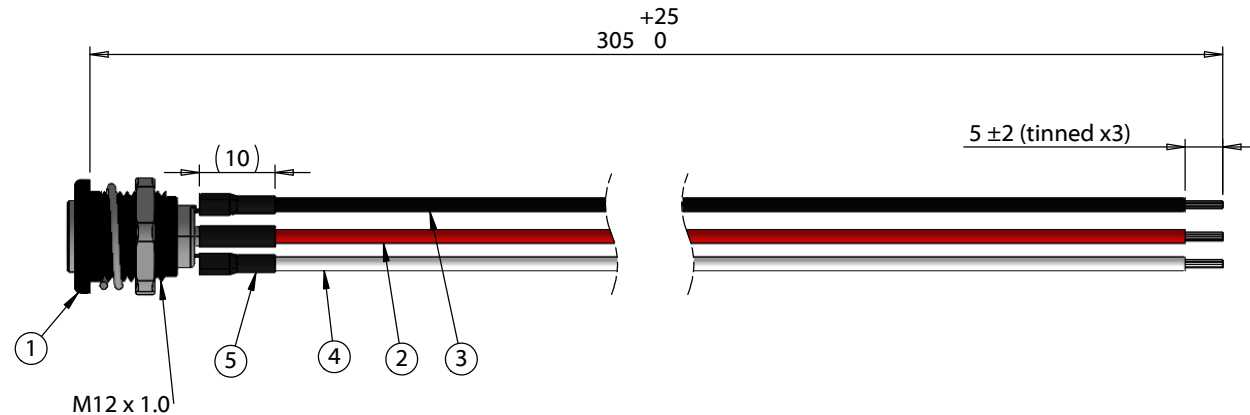
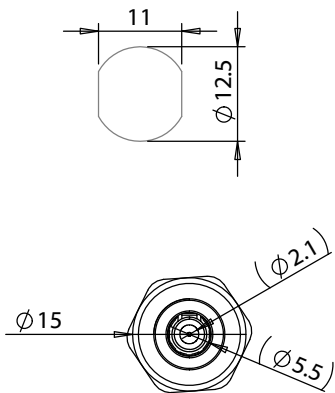


| ITEM NO. | PART NUMBER | DESCRIPTION | QTY. | COMPONENT NOTES |
|----------|-------------|--|------|-----------------------------|
| 1 | 54-00311 | Connector, dc jack w/switch, 5.5x2.1xL22 mm, panel mount, threaded, nut and washer | 1 | |
| 2 | 30-02541 | Wire, hook-up, TS, 18 AWG, UL 1332, 300V, 200C, 1.8 mm, FEP, red | 1 | |
| 3 | 30-02542 | Wire, hook-up, TS, 18 AWG, UL 1332, 300V, 200C, 1.8 mm, FEP, black | 1 | |
| 4 | 30-02543 | Wire, hook-up, TS, 18 AWG, UL 1332, 300V, 200C, 1.8 mm, FEP, white | 1 | |
| 5 | Heat Shrink | Heat shrink tube, 4 mm, high temperature | 3 | 200 °C, Viton or equivalent |

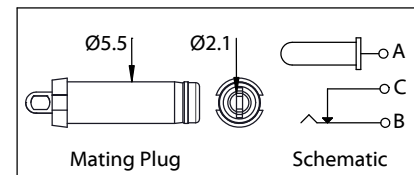
Installation Details

Panel thickness: 4.5 mm max

Recommended panel cutout:



Notes:
 Operating temperature -50 ~ 200 °C
 Cable rated for 48 V, 9.0 A



| Wiring Diagram | |
|----------------|------------|
| 54-00311 | Wire Color |
| Center (A) | Red |
| Sleeve (B) | Black |
| Switch (C) | White |

| | | | | | |
|-----------|-----------|-----------------|---|--|---|
| Revision: | Date: | Description: | Prepared: PB <small>Digitally signed by PB Date: 2022.08.17 11:01:44 -07'00'</small> | Notes: | <h1>TENSILITY</h1> <p>tel 1.541.323.3228 800 877.670.7118 fax 1.541.323.4202 web tensility.com</p> |
| A | 8/17/2022 | Initial release | Verified: AG <small>Digitally signed by AG Date: 2022.08.17 11:13:27 -07'00'</small> | RoHS compliant | |
| | | | Dimensions are in millimeters. Tolerances: X: ± 0.5 mm X.X: ± 0.3 mm X.XX: ± 0.05 mm | Function test: no open, no short circuit, no intermittent | |
| | | | | Description: Cable, 305 mm, 5.5x2.1 mm 54-00311 to stripped and tinned, 18 AWG, UL1332 wire | |
| | | | | Description: | Size: A |
| | | | | | Part number: 10-05158 |
| | | | | | Scale: 1:1 |
| | | | | | Sheet 1 of 1 |

5

4

3

2

1