

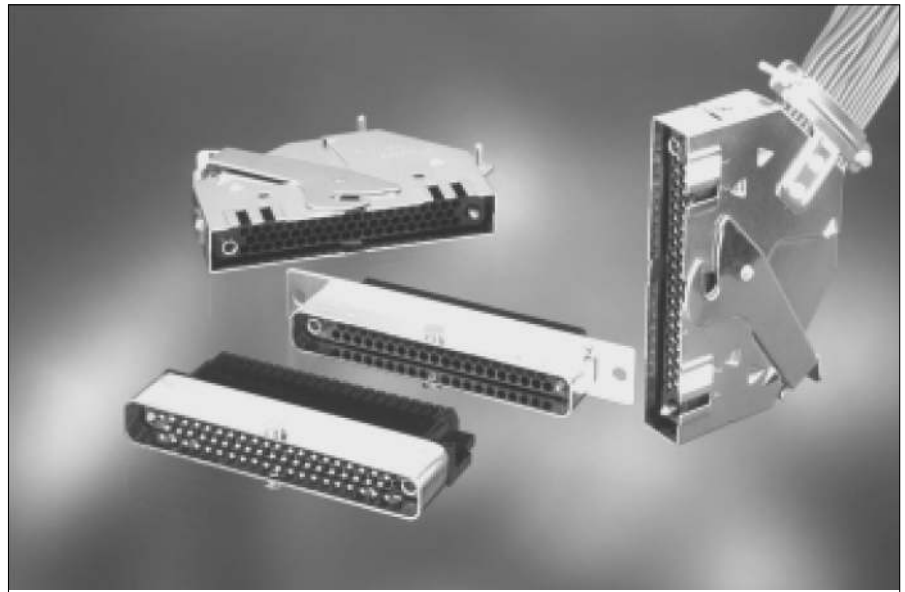


High performance Low profile rectangular MSG connectors

Description

MSG Series connectors is a 50 and 59 position low profile, compact design rectangular I/O connector.

MSG has been developed for industrial and railway control equipments which require a easy handling and high density connector. In addition to its panel mount version, a PCB mount version has been especially designed to fit 19 inch Euro-rack system.



Features and benefits

- Connectors supplied pre-assembled.
- Available in 50 and 59 contact versions.
- PCB mount version fully equipped with male contacts. Selective contact loading optional.
- Accessories : polarizing screws (receptacle)
polarizing plate (plug)
dust cap (plug)

Performance characteristics

Operating temperature:	-55°C to +125°C
Insulation resistance:	5000 MΩ min.
Test potential:	2000 VAC
Current rating:	7.5A - cable to PCB 13A - cable to cable
Creepage distance:	2.5mm (50 positions) 2.2mm (59 positions)
Durability:	500 matings and unmatings.
Vibration	Per JIS-C STD 0040
Salt Spray:	Per JIS-C STD 0023

Construction

Connector Material :	Glass filled thermoplast
Flammability rating :	UL94-V0
Hoods, skirts :	Steel, nickel plated
Cable clamps:	Steel, nickel plated
Guiding hardware:	Stainless steel
Contacts receptacle :	Copper alloy (Au over Ni)

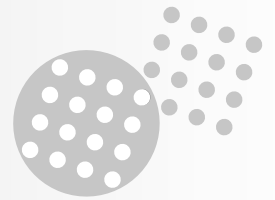
Contact accommodation

- "MSG" Rectangular connectors accept TRIM TRIO size 16 crimp-type removable contacts (see contact section)
- For the plug connector and the panel mount receptacle, contacts have to be ordered separately.

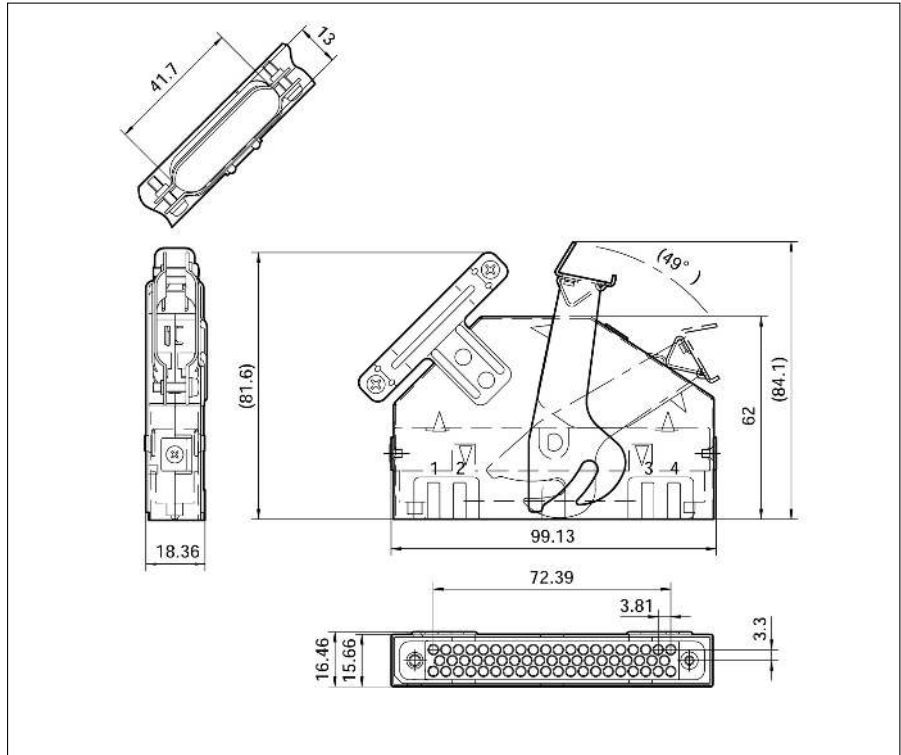
How to order

Number of contacts	Part number	Description
59	MSG59P-L11	Plug for cable up
	MSG59P-L21	Plug for cable down
	MSG59R-PL110	Panel mount receptacle
	MSG59R-RL111	Right angle PCB mount receptacle without flange
	MSG59R-FL111	Right angle PCB mount receptacle with flange
50	MSG50P-L11	Cable plug
	MSG50RG-L111	Right angle PCB mount receptacle with flange

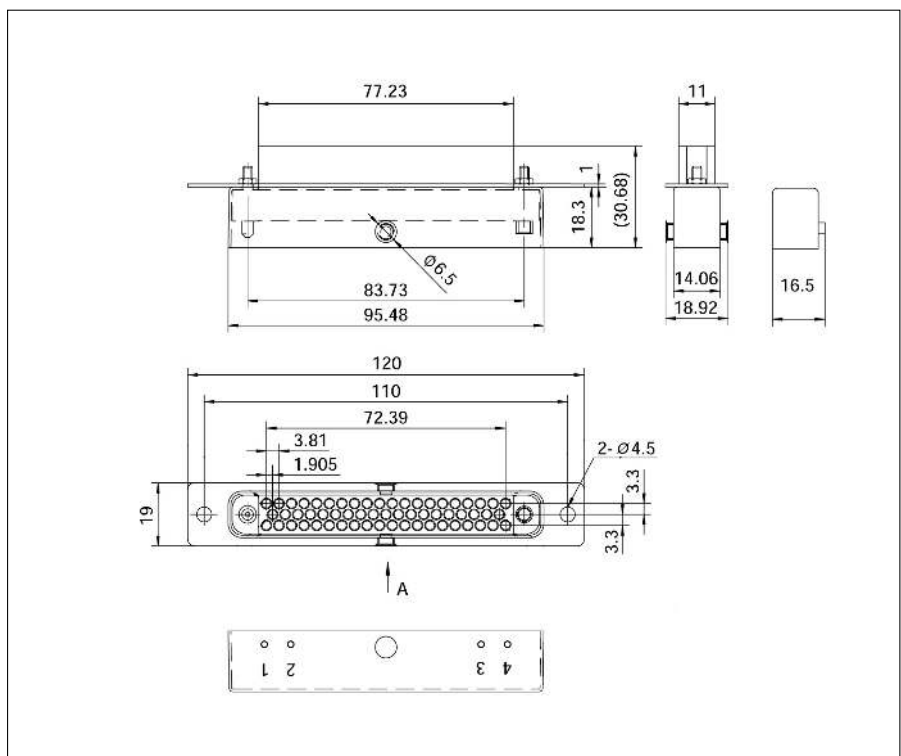
MSG



Plug connector with metal hood (MSG59P-L11)

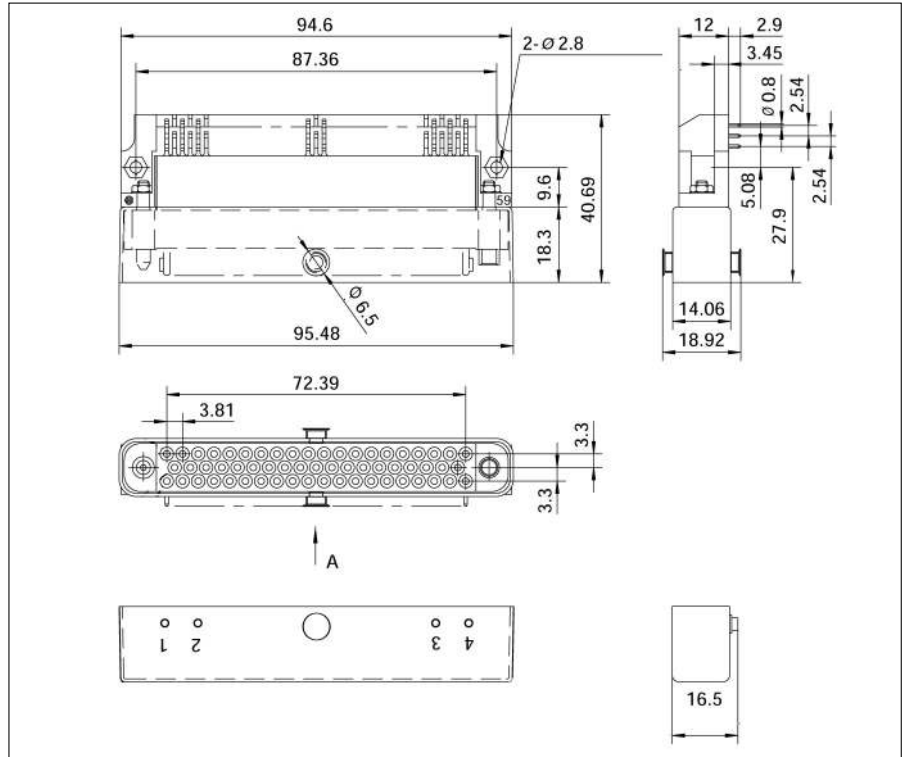


Panel mount receptacle (MSG59RP-L110)

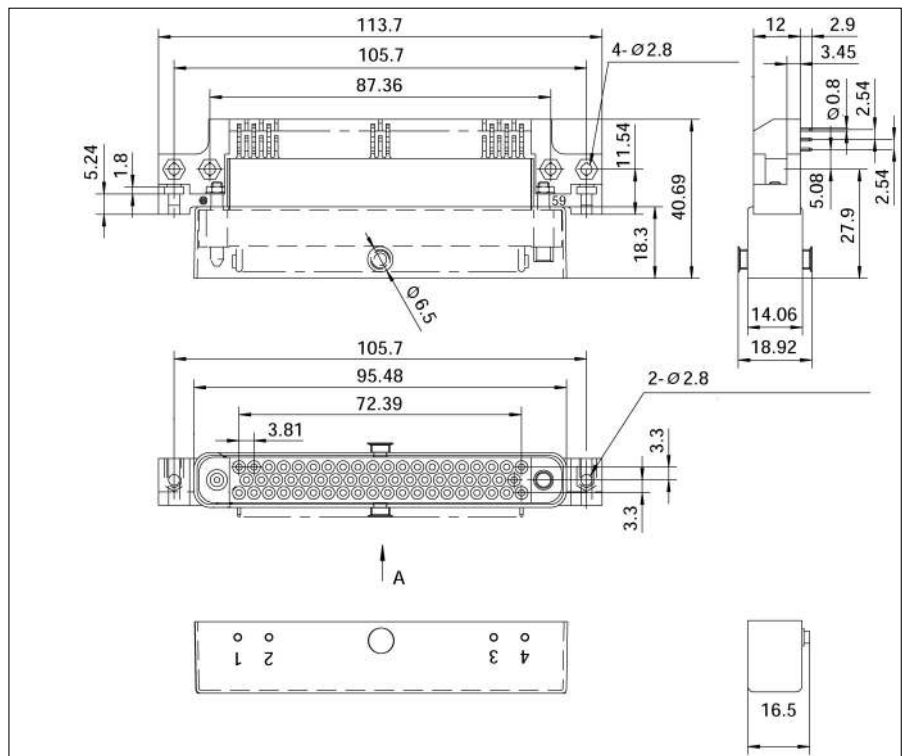




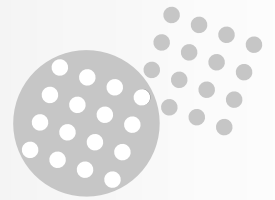
Right angle PCB mount receptacle without flange (MSG59RR-L111)



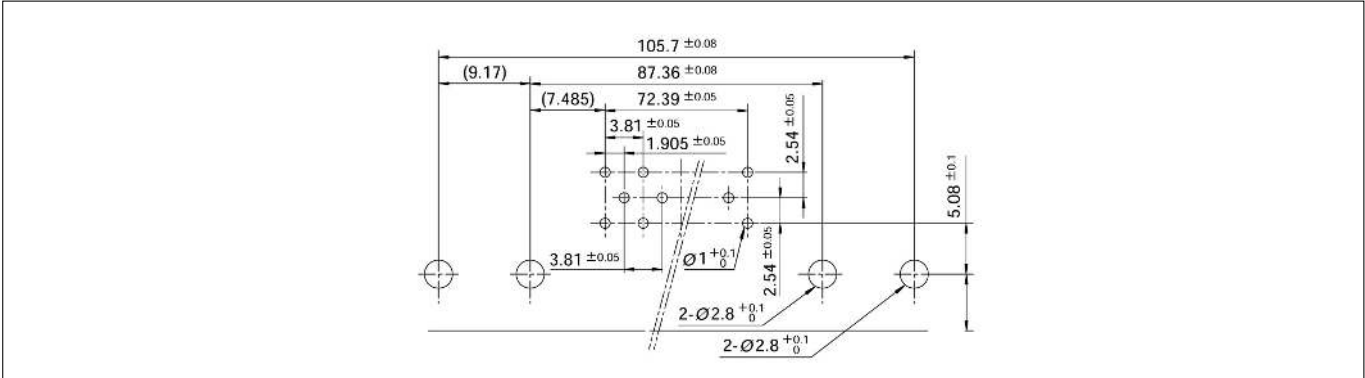
Right angle PCB mount receptacle with flange (MSG59RF-L111)



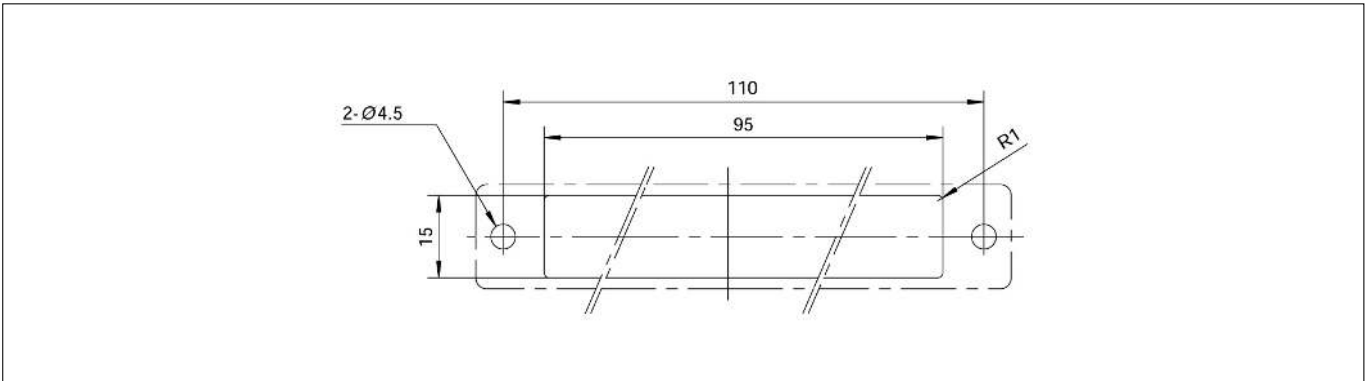
MSG



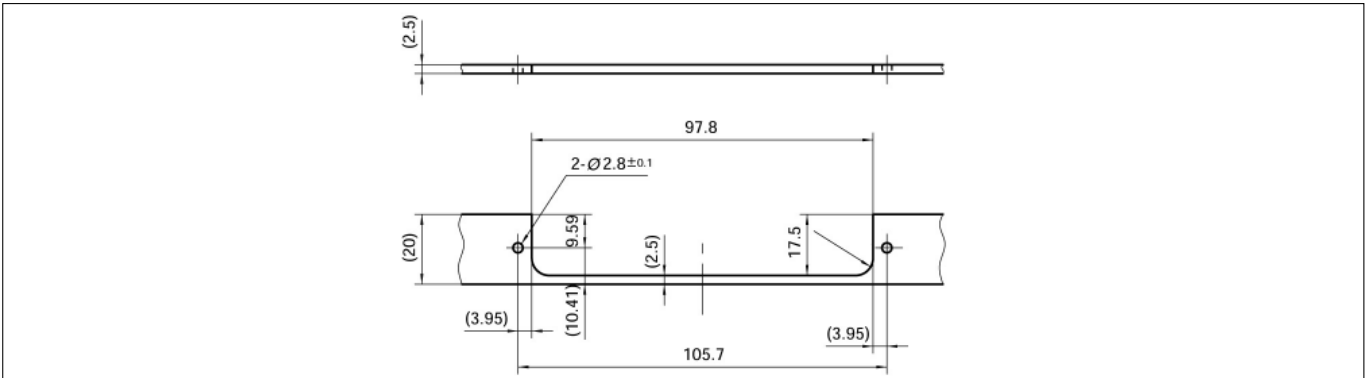
MSG59 recommended drilling hole pattern (for PCB) (MSG59RR-L111, MSG59RF-L111)



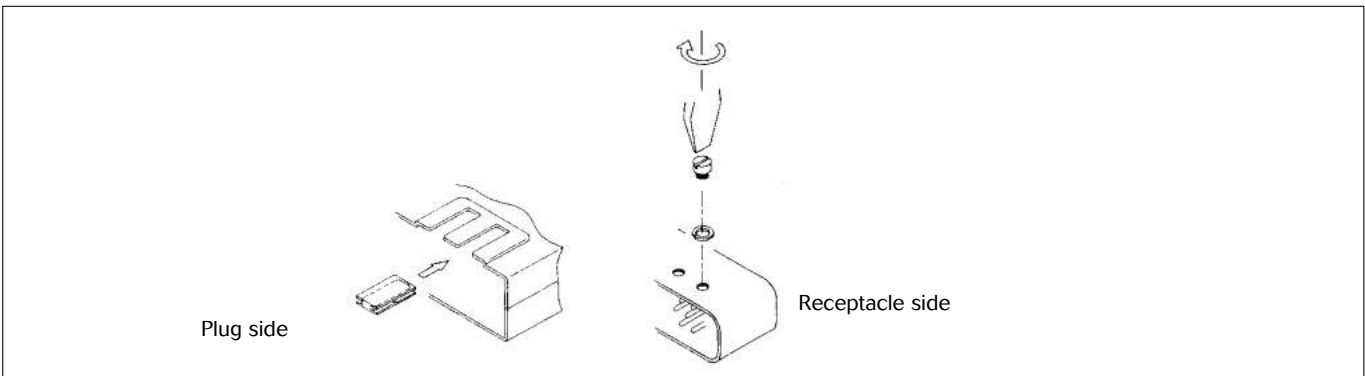
MSG59 recommended panel cut-out (front mount) (MSG59RR-L110)



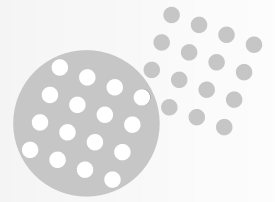
MSG59 recommended for front mount (MSG59RR-L111, MSG59RF-L111)



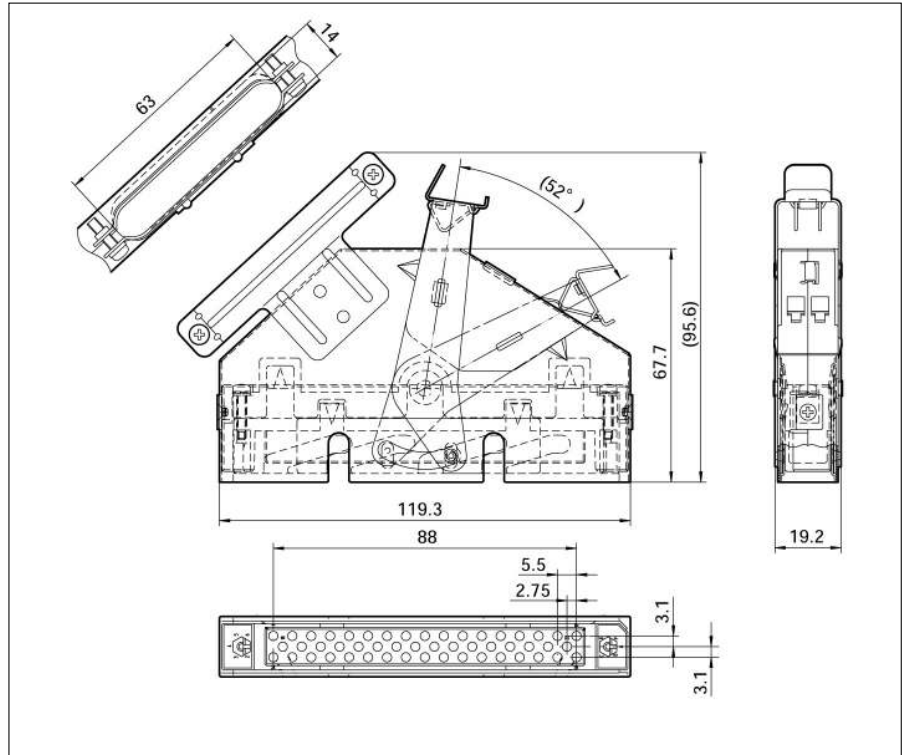
Polarizing hardware



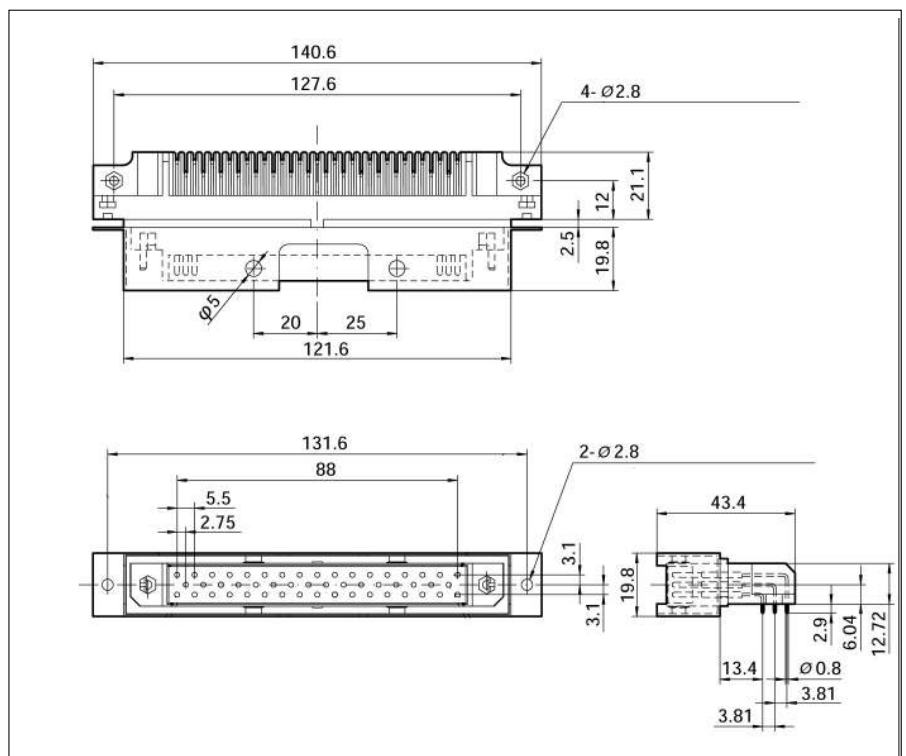
MSG



(MSG50P-L11)



(MSG50RF-L111)





Robust lever locking connector

Description

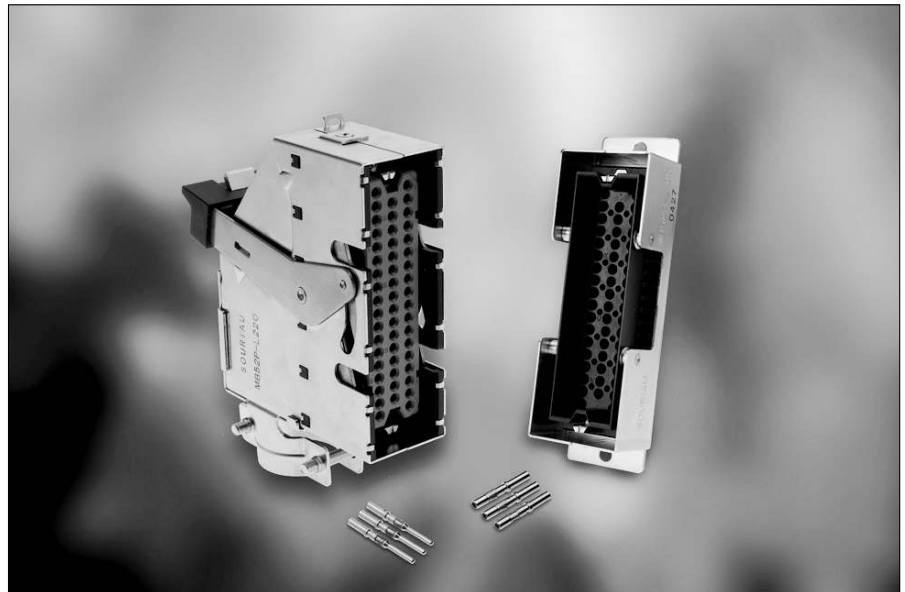
- 52 contact, rectangular, one action lever locking connector
- Same receptacle can be front or rear mounted
- 2 cable clamp orientations available: perpendicular or parallel to mating face
- Anti Jack knife system, guide plate on plug and wide entry docket contact for a smooth and reliable mating
- Adapted to shielded cable
- Easy assembly

Application

- Signalling

Mechanical

- Hood: Steel, Nickel plated
- Lever: stainless steel
- Grip and insulator: glass filled PBT
- Contact body: copper
- Contact plating: consult us
- Endurance: 500 mating/unmating operations
- Vibration: per JIS C 0040



Electrical

- Withstanding voltage 2000 Veff
- Insulating resistance: 5000M
- Current rating: 13A
- Contact accommodation: standard TRIM TRIO size 16 contacts

Environmental

- Temperature range: -55°C + 125°C
- Flammability rating: UL94V0

How to order

Receptacle

Basic series		MB	52	R	-L	1	1	0
Number of contacts	52							
Receptacle:								
Lever type:								
Contact type:	1: TRIM TRIO contact							
Cable clamp:	1: Lever down; 2: Lever up							
Variation:	0: contacts to be ordered separately							

Plug

Basic series		MB	52	P	-L	1	1	0
Number of contacts	52							
Plug								
Lever								
Cable clamp:	1: Lever down; 2: Lever up							
Cable direction	1: Parallel; 2: Perpendicular to mating face							
Variation	0							

