

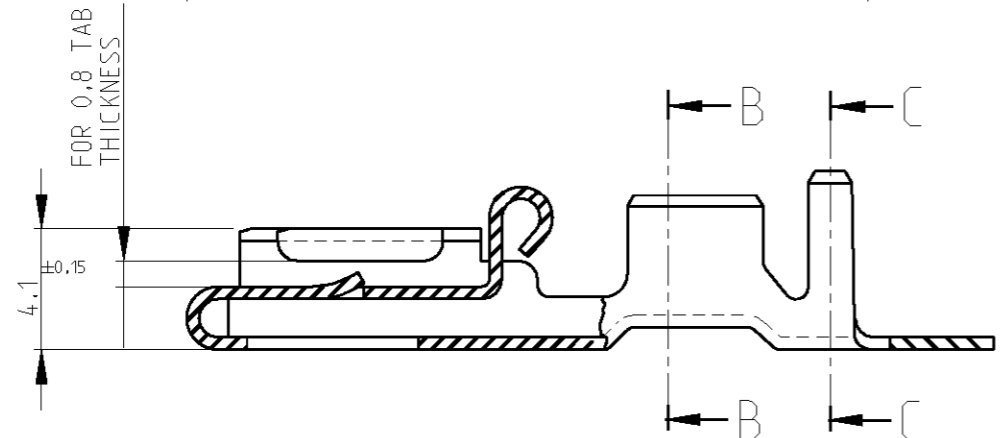
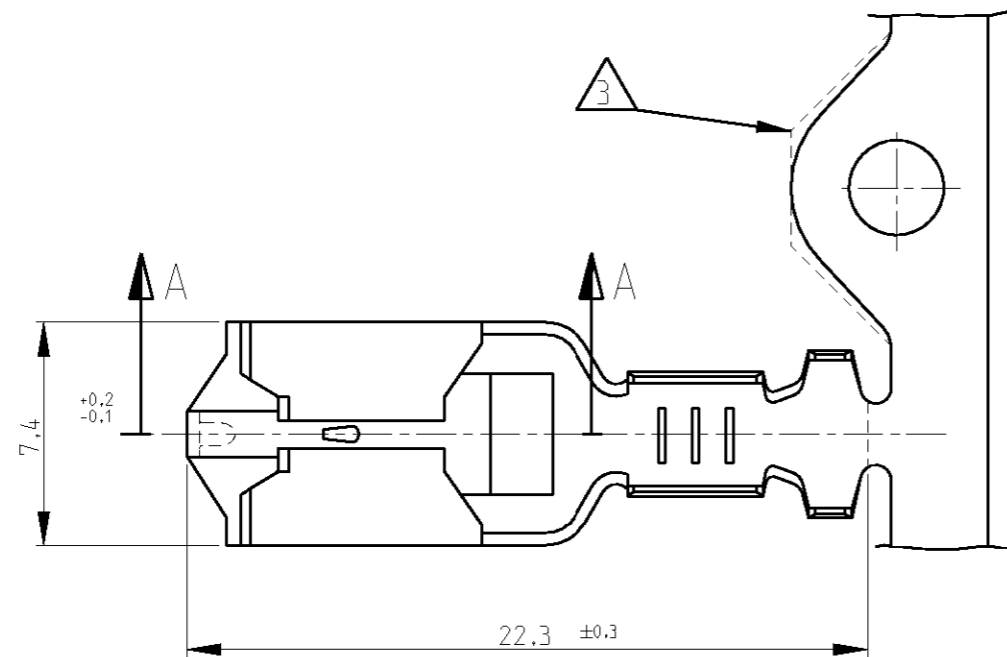
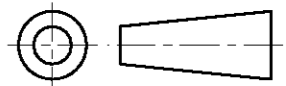
DO NOT SCALE

DIMENSIONS IN mm

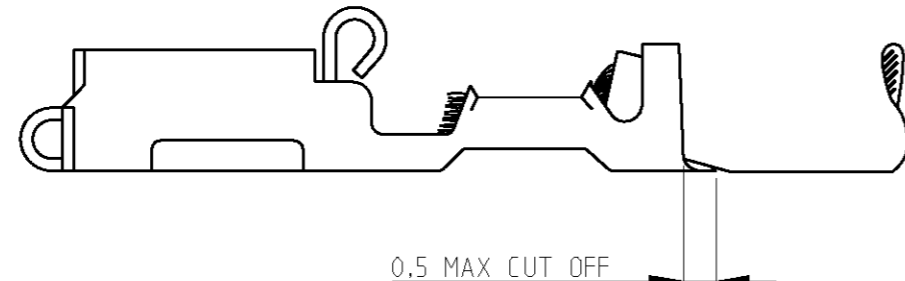
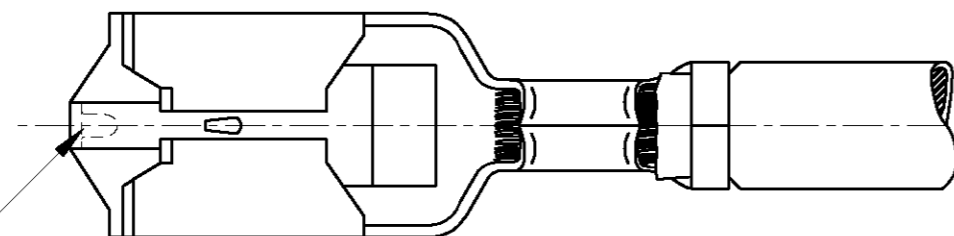
METRIC

THIRD ANGLE

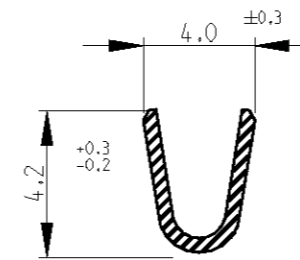
PROJECTION



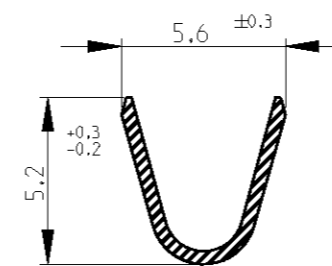
SECTION A-A



WIRE RANGE :	1.0-2.5 mm?
INSULATION RANGE :	3.0-4.3mm DIA.



SECTION B-B



SECTION C-C

NOTES:

- 1 FOR USE ON MINIATURE APPLICATOR (LEFT-RIGHT FEED)
- 2 REELED WITH PAPER.
- 3 CONFIGURATION OF CARRIER-STRIP OPTIONAL.
- 4 FOR USE ON MINIATURE APPLICATOR (LEFT-RIGHT FEED) AMP-O-MATOR APPLICATION.
- 5 OBSOLETE PARTS: OBSOLETE CIS STREAMLINING PER D.RENAUD/D.SINISI
- 6 ONLY WELDED SPLICES ALLOWED

FINISH	MATERIAL	PART NUMBER
OBSOLETE	PRE-TIN PLATED PH.BRONZE	<del>6-160831-8</del>
	PRE-TIN PLATED BRASS	<del>6-160831-7</del>
OBSOLETE	TIN PLATED PH.BRONZE	1-160831-2
	UNPLATED BRASS	1-160831-1
OBSOLETE	TIN PLATED BRASS	<del>1-160831-0</del>
	UNPLATED NICKEL-SILVER	0-160831-9
OBSOLETE	SILVERPLATED PH.BRONZE	<del>0-160831-8</del>
	SILVERPLATED BRASS	<del>0-160831-7</del>
OBSOLETE	UNPLATED BRASS	<del>0-160831-6</del>
	UNPLATED PH.BRONZE	<del>0-160831-5</del>
	TIN PLATED PH.BRONZE	0-160831-4
	TIN PLATED BRASS	0-160831-3
	UNPLATED PH.BRONZE	0-160831-2
	UNPLATED BRASS	0-160831-1

CUSTOMER DRAWING				FOR REFERENCE ONLY WILL NOT BE UPDATED	
THIS DRAWING IS UNPUBLISHED RELEASED FOR PUBLICATION					
				TE Connectivity	
M3	REVISED PER ECR-20-012400	SS	EW	24SEP20	NAME
M2	ECO-11-005294	RK	HMR	19APR11	POSITIVE LOCK RECEPTACLE .250 (6,35) SERIES
LTR.	REVISION RECORD	DR.	CHK.	DATE	DWG.No. C-160831
DR.: J.v.LIEMPT	CHK.: M.v.DRIEL	APP.: M.v.DRIEL	DWG.No. C-160831		REV.LTR. M3
DATE: 07 FEB 97	DATE: 18 FEB 02	DATE: 18 FEB 02			SHEET 1 OF 1