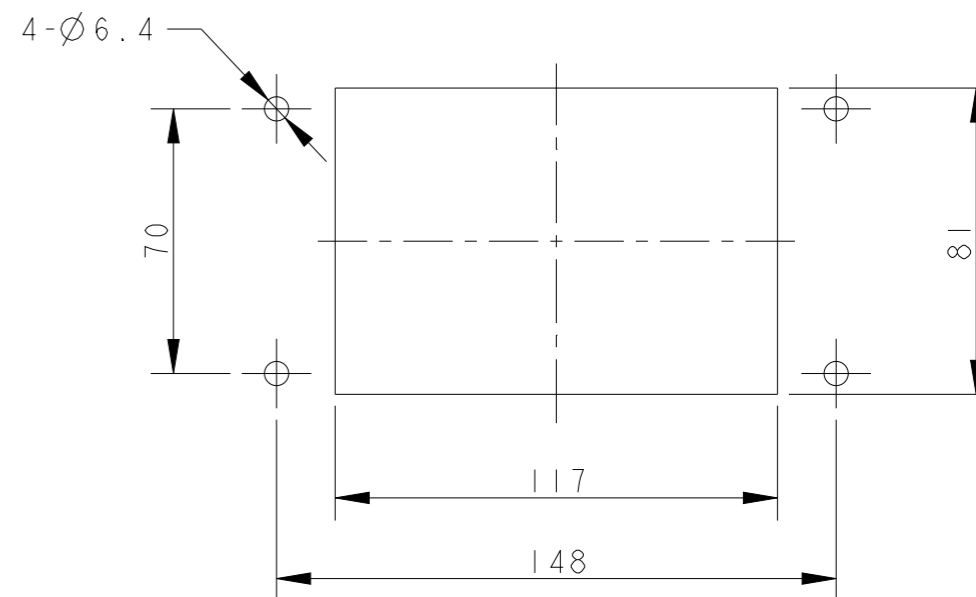
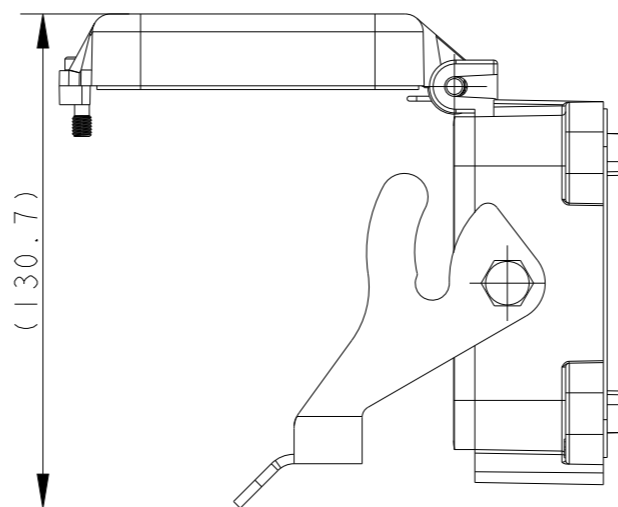
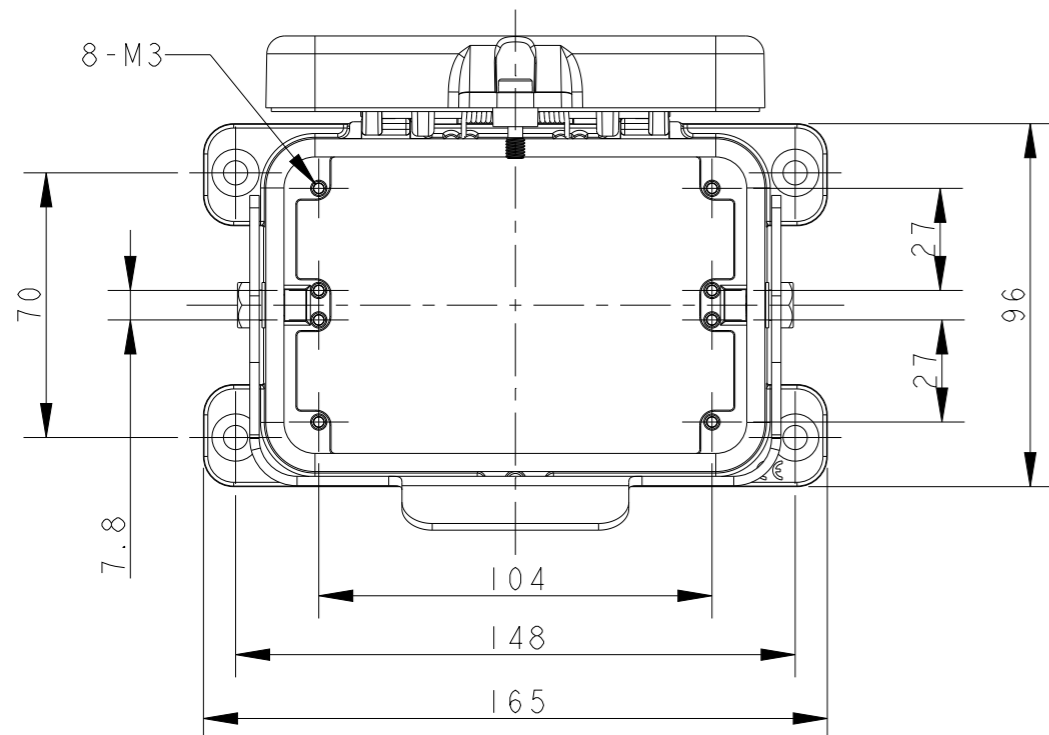
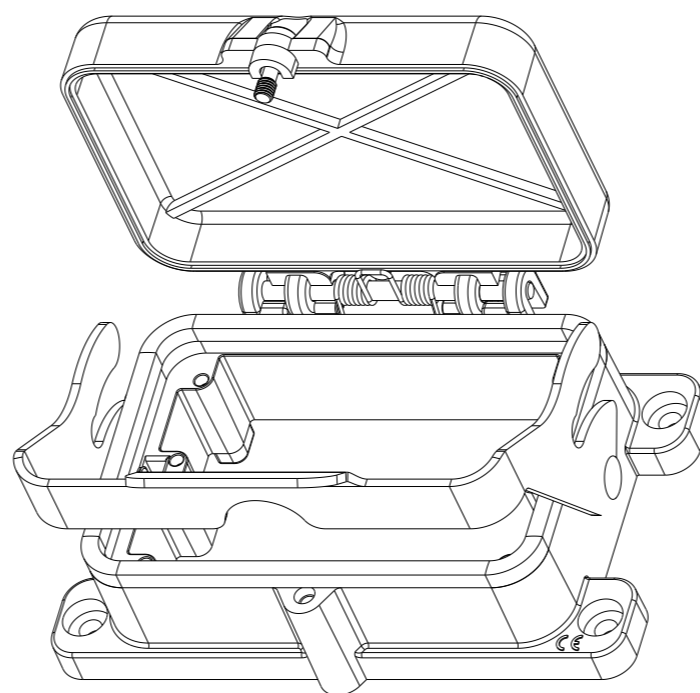
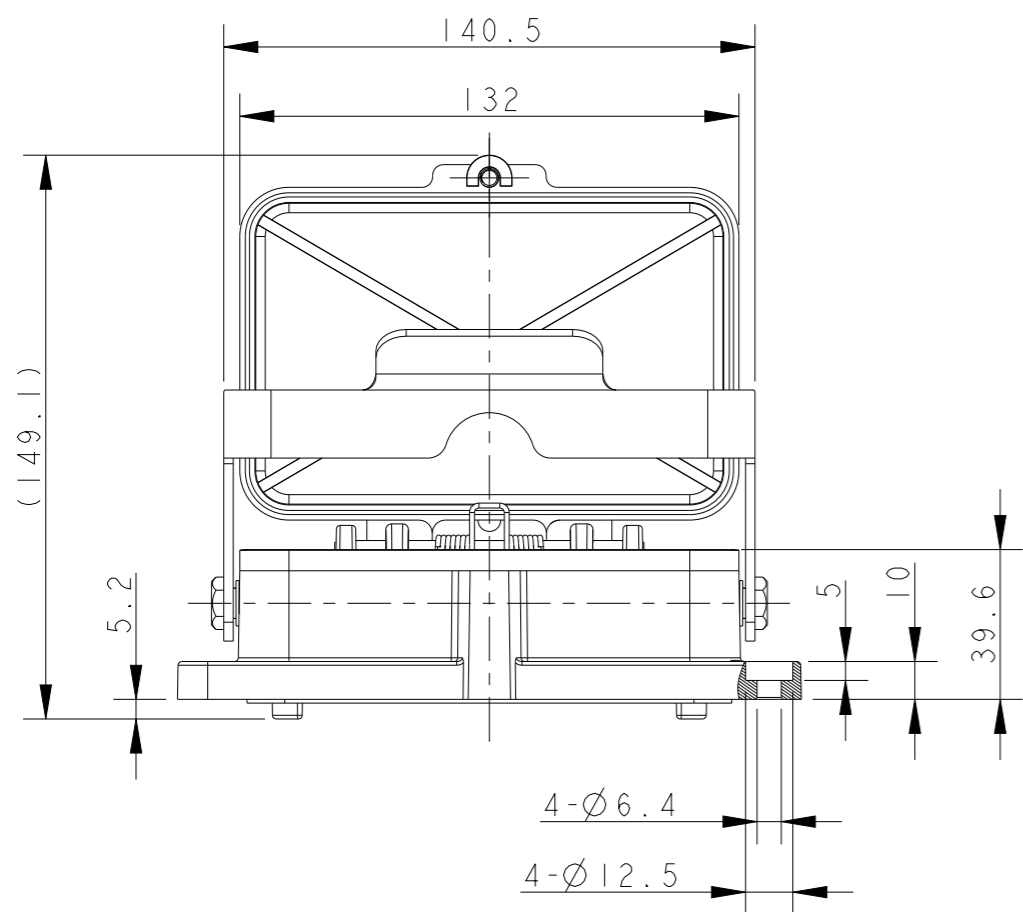


REVISIONS

P	LTR	DESCRIPTION	DATE	DWN	APVD
	A	INITIAL RELEASE	08JUN2015	DL	CW
	B	ECR-21-109004	19AUG2021	WQR	CW



开孔安装示意图
PANNEL CUT OUT



NOTES:
 1. TECHNICAL CHARACTERISTICS:
 BODY MATERIAL: DIE CAST ALUMINIUM ALLOY
 SURFACE TREATMENT: POWDER-COATED, GRAY
 DEGREE OF PROTECTION: IP65 (MATED)

注释:
 1. 技术参数:
 主体材料: 铝合金
 表面处理: 粉末喷涂, 灰色
 防护等级: IP65(配合)

TI510482000-000	H48B-AD-LB
ASSEMBLY PART NUMBER	ASSEMBLY PART DESCRIPTION

THIS DRAWING IS A CONTROLLED DOCUMENT.		DWN DAVID LI 08JUN2015	TE Connectivity													
DIMENSIONS: mm		CHK CHRIS WANG 08JUN2015														
TOLERANCES UNLESS OTHERWISE SPECIFIED:		APVD XU XIANG 08JUN2015														
<table border="0"> <tr><td>0 PLC</td><td>±-</td></tr> <tr><td>1 PLC</td><td>±-</td></tr> <tr><td>2 PLC</td><td>±-</td></tr> <tr><td>3 PLC</td><td>±-</td></tr> <tr><td>4 PLC</td><td>±-</td></tr> <tr><td>ANGLES</td><td>±-</td></tr> <tr><td>FINISH</td><td>-</td></tr> </table>		0 PLC			±-	1 PLC	±-	2 PLC	±-	3 PLC	±-	4 PLC	±-	ANGLES	±-	FINISH
0 PLC	±-															
1 PLC	±-															
2 PLC	±-															
3 PLC	±-															
4 PLC	±-															
ANGLES	±-															
FINISH	-															
MATERIAL -		PRODUCT SPEC 108-137013	SIZE A3	CAGE CODE -	DRAWING NO. ©-TI510482000000	RESTRICTED TO										
-		APPLICATION SPEC 114-137013	SCALE 1:2		SHEET 1 OF 1	REV B										
-		WEIGHT -	CUSTOMER DRAWING													