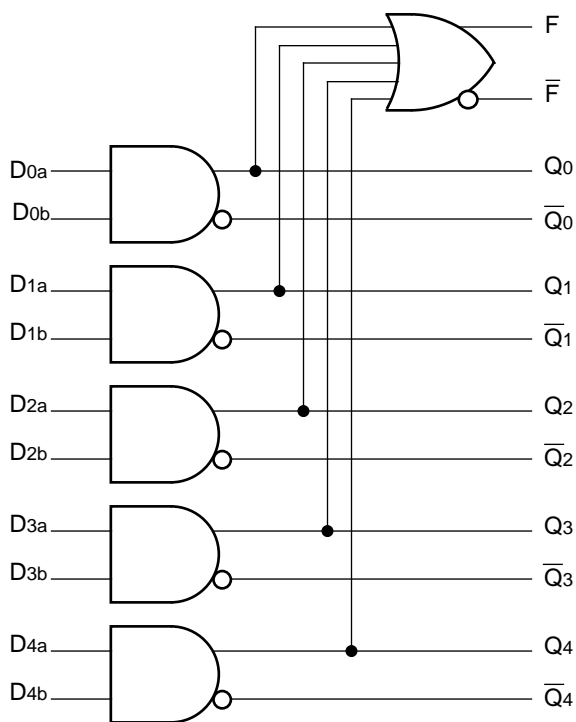


DESCRIPTION

The SY10/100E104 are quint 2-input AND/NAND gates designed for use in new, high-performance ECL systems. The E104 also features a function output, F, which is the OR of all five AND gate outputs, while \bar{F} is the NOR. Both true and complementary outputs are provided.

- 600ps max. propagation delay
- Extended 100E VEE range of -4.2V to -5.5V
- True and complementary outputs
- OR/NOR function outputs
- Fully compatible with Industry standard 10KH, 100K I/O levels
- Internal 75KΩ input pulldown resistors
- Fully compatible with Motorola MC10E/100E104
- Available in 28-pin PLCC package

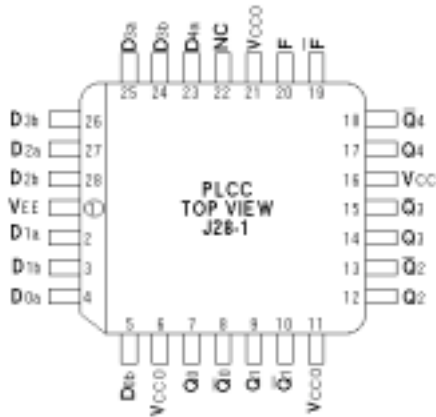
BLOCK DIAGRAM



PIN NAMES

Pin	Function
Dna, Dnb	Data Inputs
Q0-Q4	AND Outputs
$\bar{Q}_0-\bar{Q}_4$	NAND Outputs
F	OR Output
\bar{F}	NOR Output
Vcco	Vcc to Output

PACKAGE/ORDERING INFORMATION



28-Pin PLCC (J28-1)

Ordering Information⁽¹⁾

Part Number	Package Type	Operating Range	Package Marking	Lead Finish
SY10E104JI	J28-1	Industrial	SY10E104JI	Sn-Pb
SY10E104JITR ⁽²⁾	J28-1	Industrial	SY10E104JI	Sn-Pb
SY100E104JI	J28-1	Industrial	SY100E104JI	Sn-Pb
SY100E104JITR ⁽²⁾	J28-1	Industrial	SY100E104JI	Sn-Pb
SY10E104JC	J28-1	Commercial	SY10E104JC	Sn-Pb
SY10E104JCTR ⁽²⁾	J28-1	Commercial	SY10E104JC	Sn-Pb
SY100E104JC	J28-1	Commercial	SY100E104JC	Sn-Pb
SY100E104JCTR ⁽²⁾	J28-1	Commercial	SY100E104JC	Sn-Pb
SY10E104JY ⁽³⁾	J28-1	Industrial	SY10E104JY with Pb-Free bar-line indicator	Matte-Sn
SY10E104JYTR ^(2, 3)	J28-1	Industrial	SY10E104JY with Pb-Free bar-line indicator	Matte-Sn
SY100E104JY ⁽³⁾	J28-1	Industrial	SY100E104JY with Pb-Free bar-line indicator	Matte-Sn
SY100E104JYTR ^(2, 3)	J28-1	Industrial	SY100E104JY with Pb-Free bar-line indicator	Matte-Sn

Notes:

1. Contact factory for die availability. Dice are guaranteed at T_A = 25°C, DC Electricals only.
2. Tape and Reel.
3. Pb-Free package is recommended for new designs.

$$F = (D0a \cdot D0b) + (D1a \cdot D1b) + (D2a \cdot D2b) + (D3a \cdot D3b) + (D4a \cdot D4b)$$

VEE = VEE (Min.) to VEE (Max.); VCC = VCCO = GND

Symbol	Parameter	TA = -40°C			TA = 0°C			TA = +25°C			TA = +85°C			Unit
		Min.	Typ.	Max.	Min.	Typ.	Max.	Min.	Typ.	Max.	Min.	Typ.	Max.	
I _{IH}	Input HIGH Current	—	—	200	—	—	200	—	—	200	—	—	200	μA
I _{EE}	Power Supply Current	10E	38	46	38	46	38	46	38	46	38	46	46	mA
		100E	38	46	38	46	38	46	38	46	44	53		

Note:

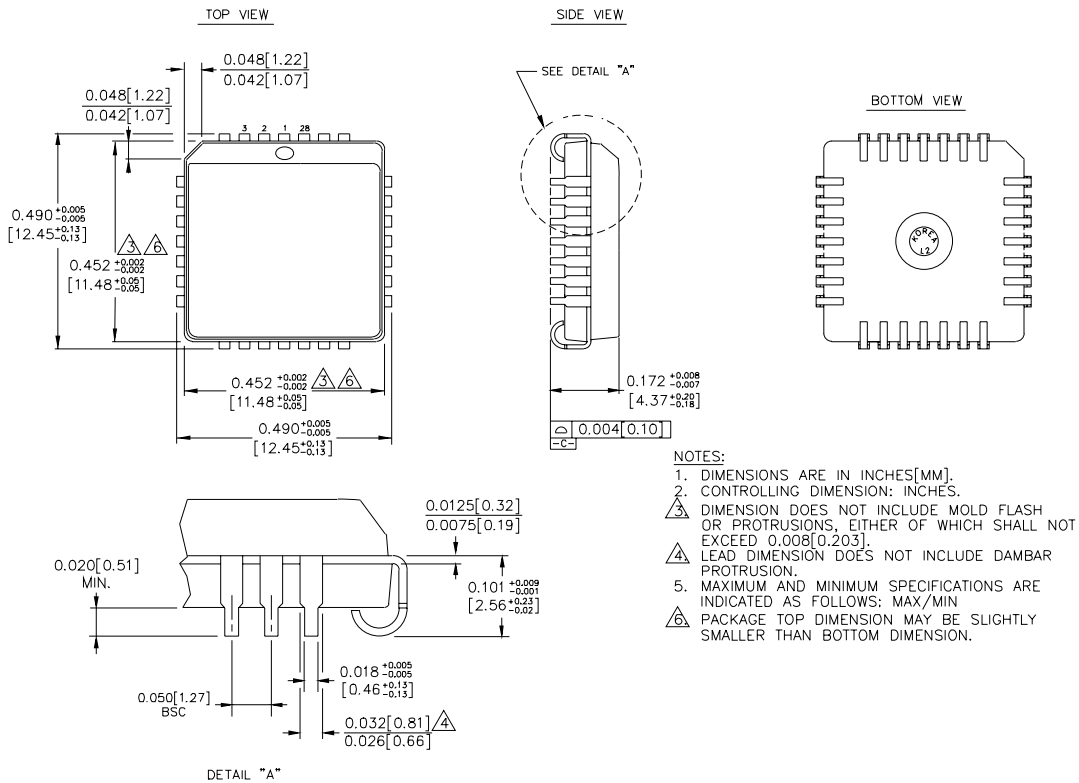
1. Specification for packaged product only.

VEE = VEE (Min.) to VEE (Max.); VCC = VCCO = GND

Symbol	Parameter	TA = -40°C			TA = 0°C			TA = +25°C			TA = +85°C			Unit	
		Min.	Typ.	Max.	Min.	Typ.	Max.	Min.	Typ.	Max.	Min.	Typ.	Max.		
t _{PD}	Propagation Delay to Output	D to Q	225	385	600	225	385	600	225	385	600	225	385	600	ps
		D to F	500	725	1000	500	725	1000	500	725	1000	500	725	1000	
t _{skew}	Within-Device Skew, D to Q ⁽¹⁾	—	75	—	—	75	—	—	75	—	—	75	—	ps	
t _r t _f	Rise/Fall Time 20% to 80%	Q	275	425	700	275	425	700	275	425	700	275	425	700	ps
		F	300	475	700	300	475	700	300	475	700	300	475	700	

Notes:

1. Within-device skew is defined as identical transitions on similar paths through a device.
2. Specification for packaged product only.



Rev. 03

MICREL, INC. 2180 FORTUNE DRIVE SAN JOSE, CA 95131 USA

TEL + 1 (408) 944-0800 FAX + 1 (408) 474-1000 WEB <http://www.micrel.com>

The information furnished by Micrel in this data sheet is believed to be accurate and reliable. However, no responsibility is assumed by Micrel for its use. Micrel reserves the right to change circuitry and specifications at any time without notification to the customer.

Micrel Products are not designed or authorized for use as components in life support appliances, devices or systems where malfunction of a product can reasonably be expected to result in personal injury. Life support devices or systems are devices or systems that (a) are intended for surgical implant into the body or (b) support or sustain life, and whose failure to perform can be reasonably expected to result in a significant injury to the user. A Purchaser's use or sale of Micrel Products for use in life support appliances, devices or systems is at Purchaser's own risk and Purchaser agrees to fully indemnify Micrel for any damages resulting from such use or sale.

© 2006 Micrel, Incorporated.