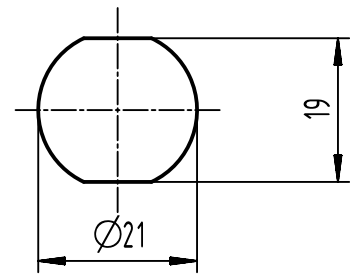


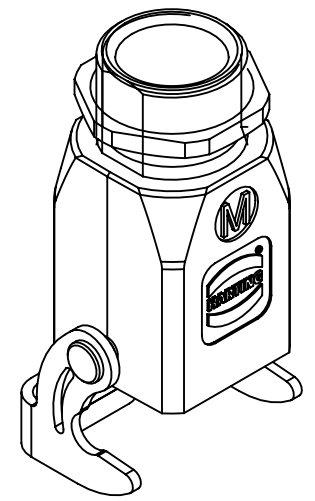
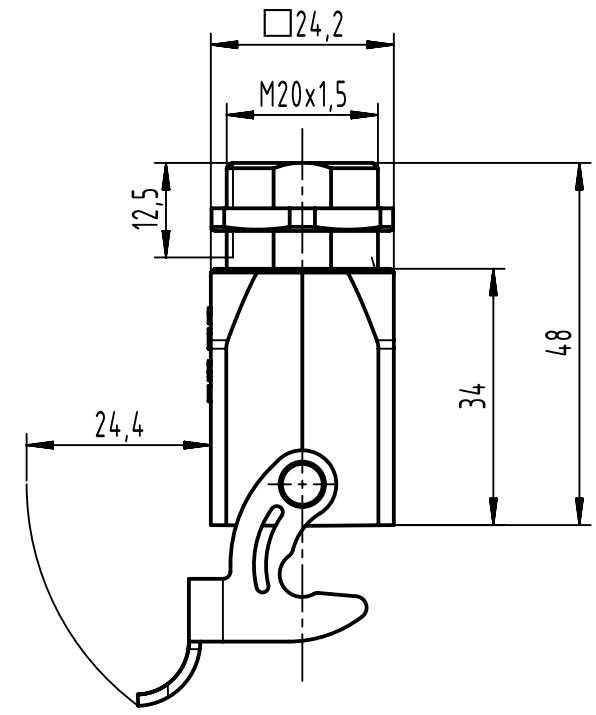
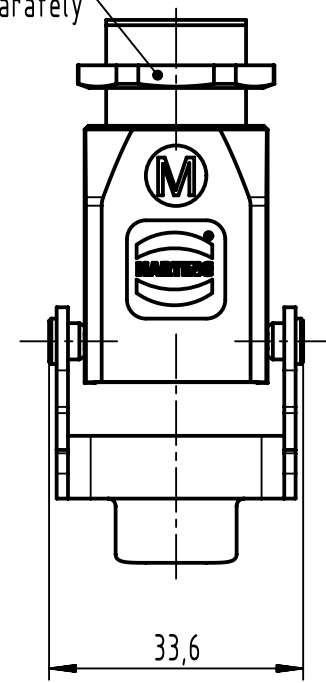
1 2 3 4 5 6

A
B
C
D

Panel cut out



SW24
enclosed separately



| | | | | | | | | |
|------------------------------|--|--|-------------------------------|--------------------------|---------------------------|--------------------|--|-------------|
| | All Dimensions in mm Original Size DIN A4 | | Scale 1:1 | Free size tol. | | Ref. | | |
| | | | | | | Sub. | | |
| | All rights reserved | | Created by YUA | Inspected by WANGSTE | Standardisation 302077 | Date 2021-07-01 | State Final Release | |
| | Department EL PD | | Title Han 3A HMC-eg-QB-M20 | | | | Doc-Key / ECM-Nr. 100958552/UGD/002/A 500000198506 | |
| HARTING D-32339 Espelkamp | | | Type TB | Number 19 20 203 1150 | | | Rev. A | Page 1/1 |