

4

3

2

1

THIS DRAWING IS UNPUBLISHED.

RELEASED FOR PUBLICATION

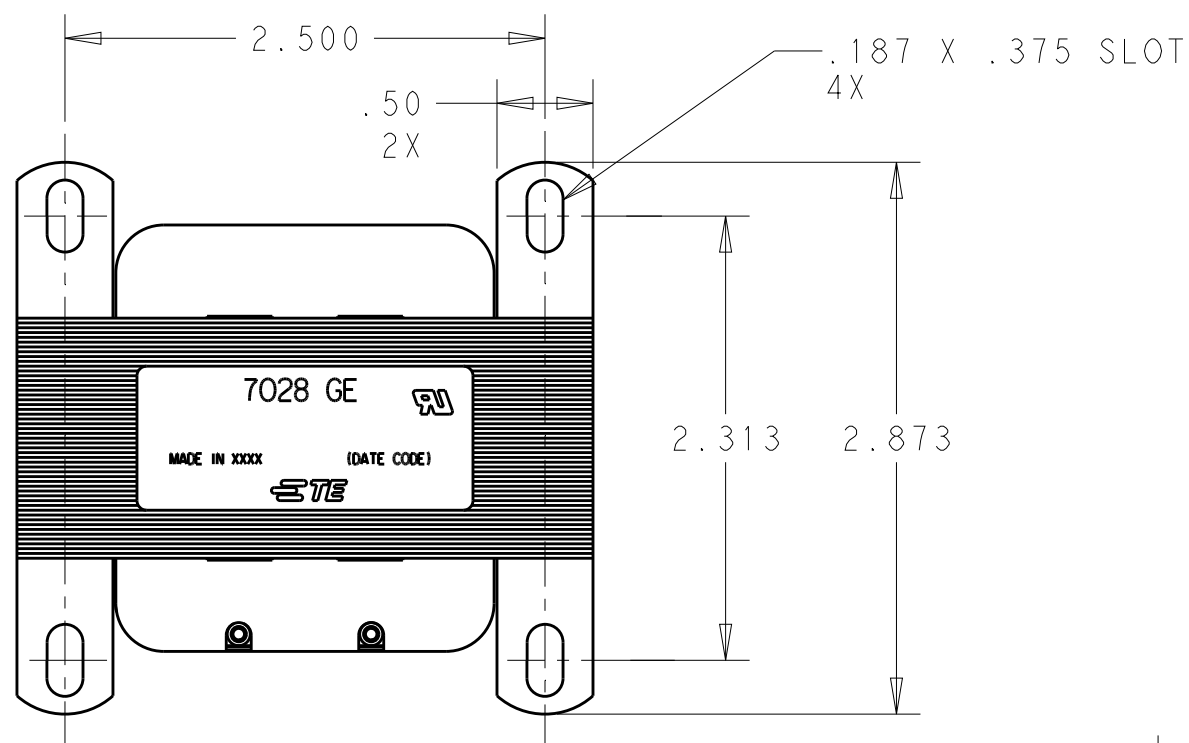
20

© COPYRIGHT 20 BY -

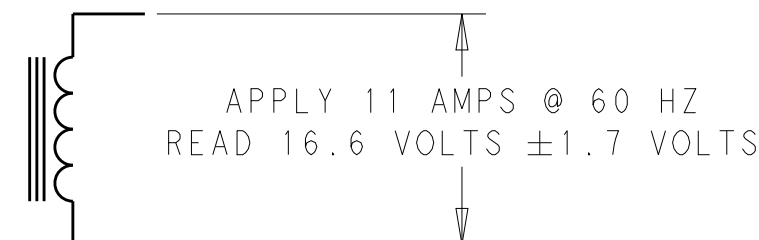
ALL RIGHTS RESERVED.

REVISIONS

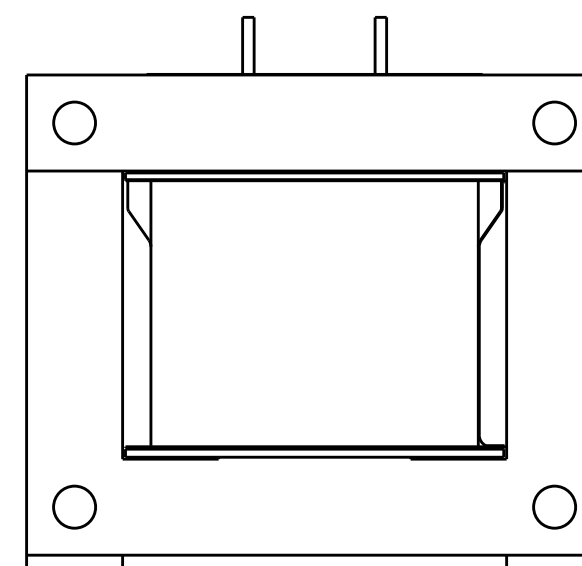
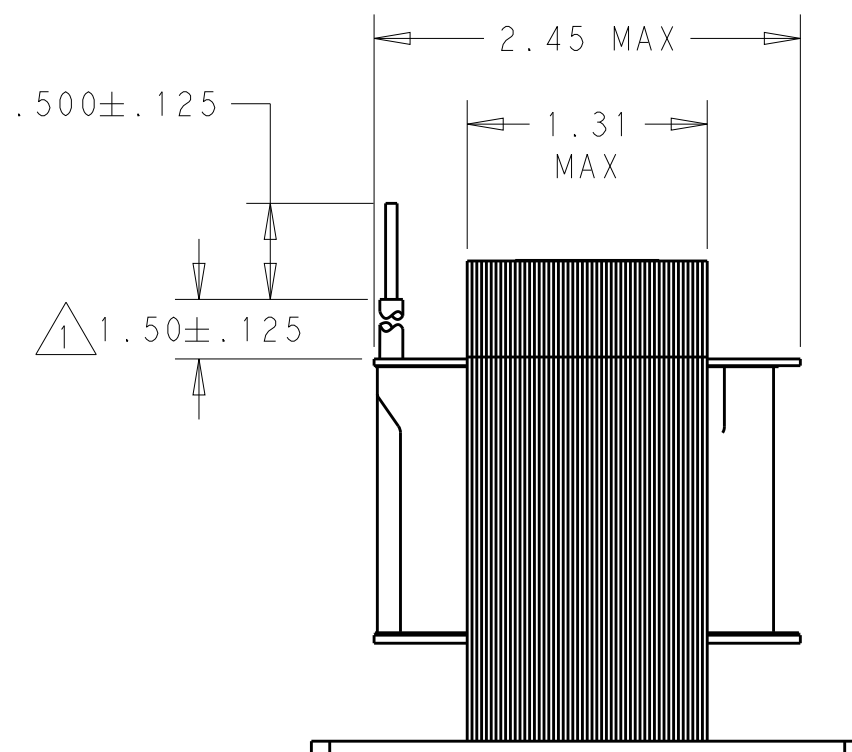
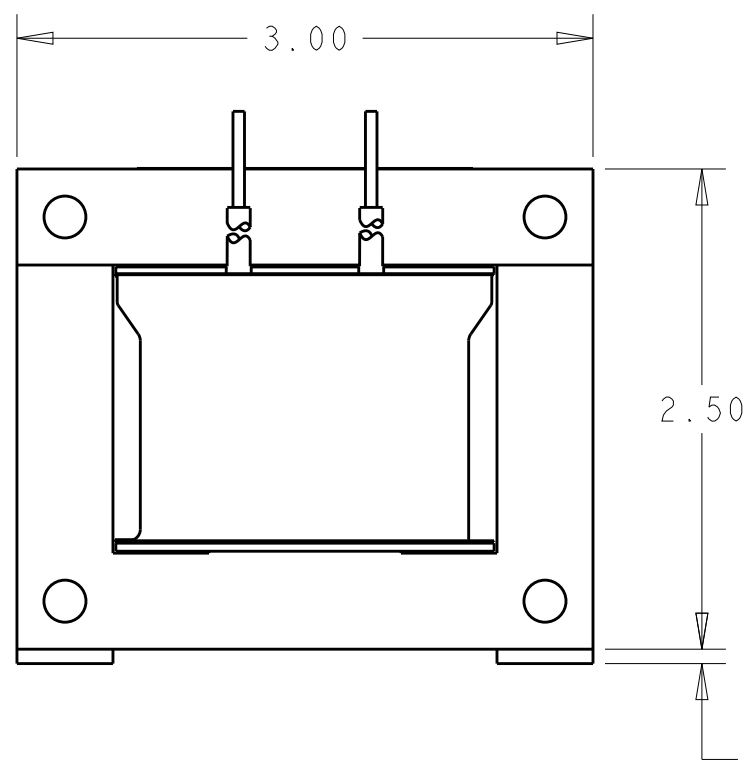
P	LTR	DESCRIPTION	DATE	DWN	APVD
D		ECR-17-011882	18AUG2017	VS	DB



- 1 SLEEVING PVC HT-105, BLACK OR CLEAR.
- 2. CERTIFICATION: UL FILE NO. E102980



SCHEMATIC



2-1611476-7
TE PART NO.

THIS DRAWING IS A CONTROLLED DOCUMENT.

DIMENSIONS: INCHES	TOLERANCES UNLESS OTHERWISE SPECIFIED:
	0 PLC ±-
	1 PLC ±.1
	2 PLC ±.03
	3 PLC ±.015
	4 PLC ±-
	ANGLES ±-
MATERIAL	FINISH
-	-
-	-

DWN	VIC SLACK	06DEC2013
CHK	D. BLOESCH	06DEC2013
APVD	D. BLOESCH	06DEC2013
PRODUCT SPEC	-	-
APPLICATION SPEC	-	-
WEIGHT	-	-
Customer Drawing		

TE Connectivity		NAME		RESTRICTED TO
		TRANSFORMER OUTLINE		
SIZE	CAGE CODE	DRAWING NO	-	
A3	00779	G-7028GE	-	
SCALE		SHEET	OF	REV
1:1		1	1	D