

6

5

4

3

2

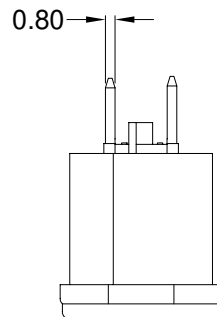
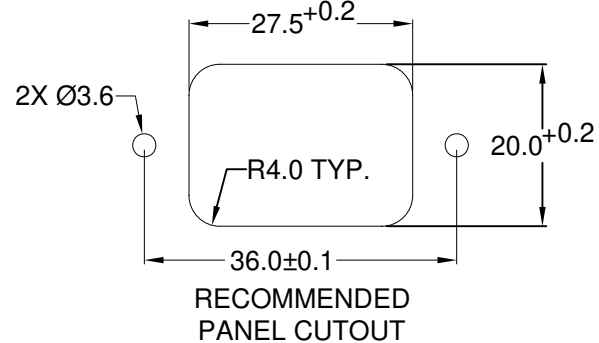
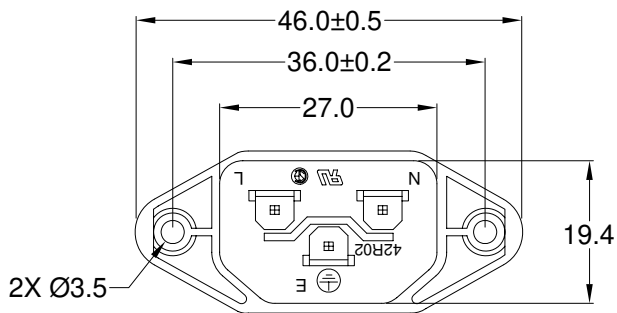
1

**MATERIAL AND FINISH:**

Insulator: Polycarbonate, UL-94V-0 rated  
Contacts: Brass, Nickel plated

**ELECTRICAL SPECIFICATIONS:**

Current rating: 10 A  
Voltage rating: 250 VAC  
Current rating: 15 A  
Voltage rating: 250 VAC



**ORDERING CODE:**

42R02-1           
          1 2 3

**1 = TERMINAL OPTIONS**

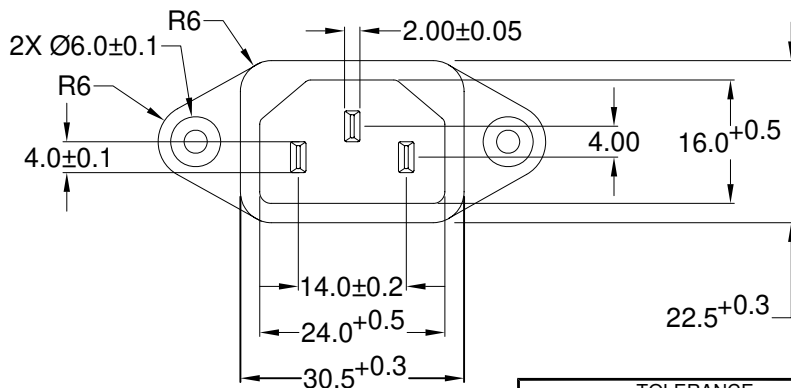
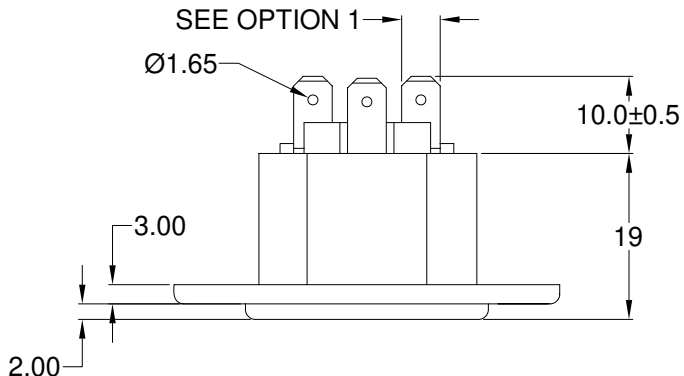
- 1 = .187(4.8)
- 2 = .250(6.3)

**2 = COLOR**

- 1 = BLACK
- 2 = GRAY

**3 = ELECTRICAL CIRCUIT CONFIGURATION**

- 1 = 15A 250V 120°C 2+GROUND
- 2 = 15A 250V 70°C 2+GROUND
- 4 = 15A 250V 70°C 2 POLE



TOLERANCE UNLESS OTHERWISE SPECIFIED  
X ± 1  
X.X ± 0.4  
X.XX ± 0.20

**Power Dynamics, Inc.**

Phone: 973 560-0019 Whippany, New Jersey Fax: 973 560-0070

PART: IEC 60320 C14 APPL. INLET; QUICK CONNECT  
TERMINALS; SIDE FLANGED, PANEL MOUNT

DRAWN BY	GQ	DATE:	8/3/01
CHECK BY	TD	DATE:	8/13/01
APPR BY	PB	DATE:	8/13/01

42R02-1XXX  
PART #:  
SIZE: A  
SCALE: NTS  
ALL DIMENSIONS FOR REFERENCE ONLY  
DIMENSIONS ARE IN MILLIMETERS

SHEET 1 of 1  
REV:

RoHS COMPLIANT

D

C

B

A

REVISIONS	CHNG	CHECK	APPR
	CHANGE		
	REV	DATE	

6

5

4

3

2

1