

2

1

THIS DRAWING AND THE INFORMATION SET FORTH HEREON ARE THE PROPERTY OF TYCO ELECTRONICS CORPORATION, AND ARE TO BE HELD IN TRUST AND CONFIDENCE. PUBLICATION, DUPLICATION, DISCLOSURE, OR USE FOR ANY PURPOSE NOT EXPRESSLY AUTHORIZED IN WRITING BY TYCO ELECTRONICS IS PROHIBITED.

REVISIONS

LTR	DESCRIPTION	DATE	APPROVED
B	REVISED PER DCR D040098	4/20/04	TRATZLAFF
C	REVISED PER DCR D040254	10/5/04	MPIOZET
D	REVISED PER DCR D050020	1/17/05	MPIOZET

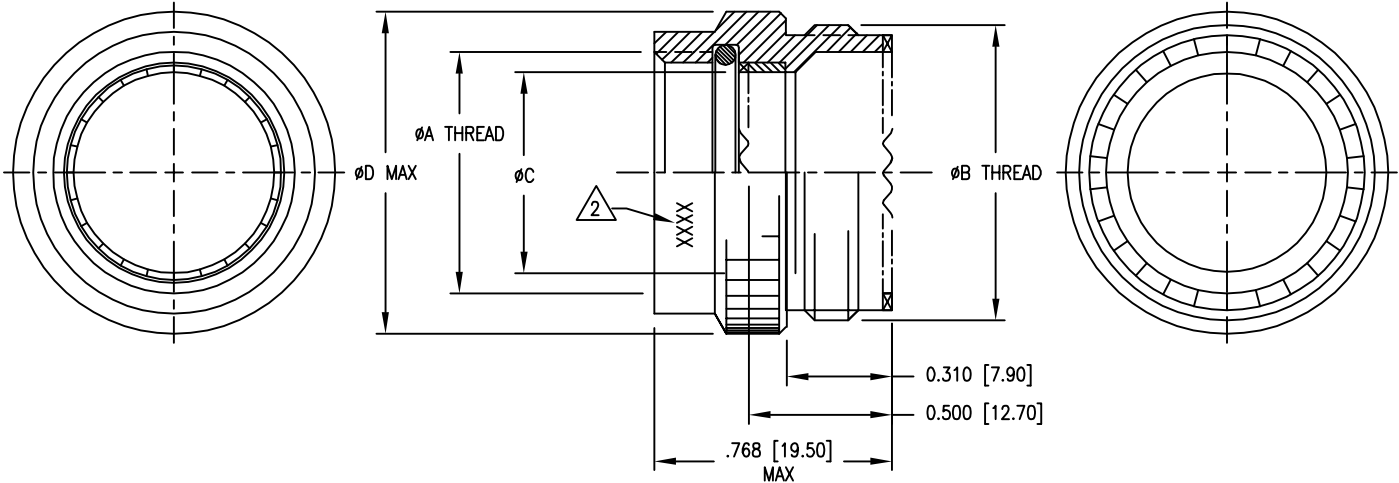


TABLE I

SIZE (-XX)	SHELL SIZE		ϕA THREAD CLASS -6H	ϕB THREAD CLASS -6g	ϕC ± 0.01 [± 0.250]	ϕD MAX
	MIL	COM				
-20	09	A	M12 x 1.0	M18 x 1.0	0.335 [8.50]	0.81 [20.50]
-21	11	B	M15 x 1.0	M18 x 1.0	0.452 [11.50]	0.81 [20.50]
-22	13	C	M18 x 1.0	M22 x 1.0	0.570 [14.50]	0.96 [24.50]

NOTES:

1. MATERIAL: ALUMINUM ALLOY, CADMIUM PLATED OVER ELECTROLESS NICKEL (500 HOUR SALT SPRAY TEST)

2. MARK WITH "RAYCHEM" OR RAYCHEM LOGO, CAGE CODE AND PART NUMBER.

PART NUMBERING:

FLX40-010-XX

20 = A TO C

21 = B TO C

22 = C TO D

If this document is printed it becomes uncontrolled.
Check for the latest revision.

©2004-2005 Tyco Electronics Corporation. All rights reserved.

SPECIFICATION CONTROL DRAWING

UNLESS OTHERWISE SPECIFIED DIMENSIONS ARE IN INCHES. METRIC DIMENSIONS ARE IN BRACKETS.	DRAWN	MFORONDA	2/24/04	tyco Electronics	Tyco Electronics Corporation 300 Constitution Drive Menlo Park, CA. 94025 U.S.A.		Raychem	
	CHECKED	---	---					
	APPROVED	TRATZLAFF	2/24/04	TITLE ADAPTER, HEXASHIELD EMI TERMINATION SYSTEM				
	REVISED	MF	1/13/05					
DECIMALS .XXX ± _____ .XX ± _____ ANGLES _____	CAD NAME: D050020.dwg			SIZE	CODE IDENT. NO.	DWG. NO.	REV	
WEIGHT ---	THIRD ANGLE PROJECTION			A	06090	FLX40-010-XX	D	
				DO NOT SCALE THIS DRAWING		SHEET 1 OF 1		

2

1