

Ratings

Voltage: 600 V
 Temperature: -40~105 °C
 Flammability: FT2

Conductor

Conductor count: 10
 Gauge: 24 AWG 0.21 mm²
 Material: tinned copper strands
 Strand size: ϕ 0.08 x 41
 Resistance at 20 °C: 94.2 Ω /km max

Insulator

Material: mPPE
 Color: red, black, white, yellow, blue, green, orange, purple, gray, brown
 Diameter: ϕ 1.1 \pm 0.10 mm
 Average thickness: 0.24 mm
 Resistance at 20 °C: 100 M Ω /km min

Wrap

Material: cotton paper

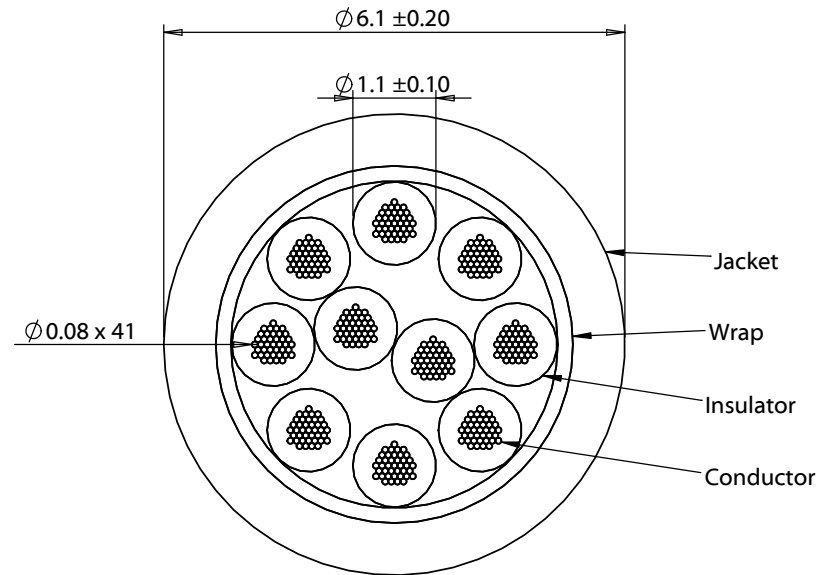
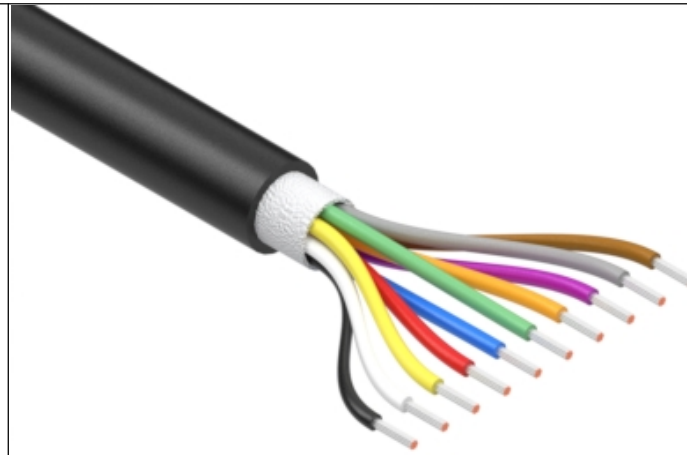
Outer jacket

Material: mPPE, 85A
 Color: black
 Diameter: ϕ 6.1 \pm 0.20 mm
 Average thickness: 0.8 mm

Wire marking: E339579 UL AWM STYLE 21509 24 AWG 105°C 600V --- cUL AWM I A 105°C 600V FT2 TENSILITY

Bend radius

Minimum: 6 times diameter (36.6 mm)



Revision:	Date:	Description:	Prepared:	Notes:	<h1>TENSILITY</h1> <p>tel 1.541.323.3228 800 877.670.7118 fax 1.541.323.4202 web tensility.com</p>
A	5/4/2021	Initial release	AW <small>Digitally signed by AW Date: 2021.05.19 11:28:19 -07'00'</small>	RoHS compliant	
			Verified: JC <small>Digitally signed by JC Date: 2021.05.19 14:10:19 -07'00'</small>	Phthalate and halogen free	Size: Part number: A 30-02041
			Dimensions are in millimeters. Tolerances: X: \pm 0.5 mm X.X: \pm 0.3 mm X.XX: \pm 0.05 mm	Description: Wire, 10C TS, 24 AWG, 21509, 600V, 105C, 6.1 mm, FT2, mPPE	Scale: 10:1
					Sheet 1 of 1

5

4

3

2

1