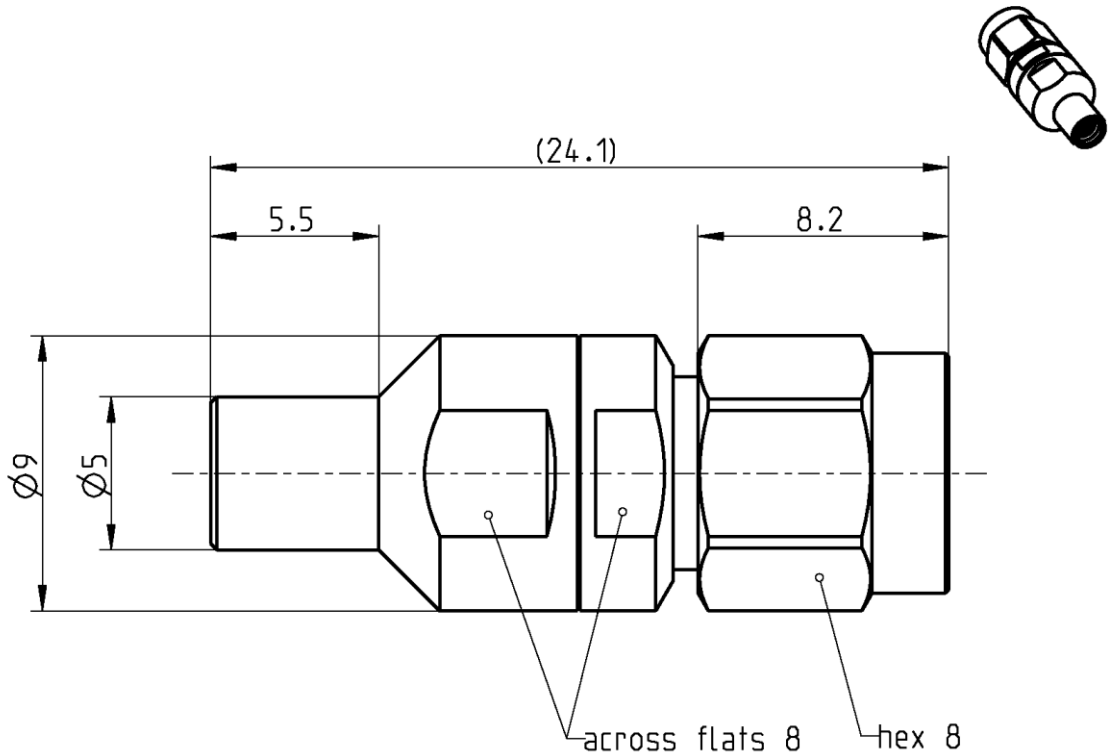


SMP

Adaptor
SMP Plug – SMA Plug

19S132-S00S3



All dimensions are in mm; tolerances according to ISO 2768 m-H

Interface

According to	SMP side:	MIL-STD-348
	SMA side:	IEC 60169-15; EN 122110; MIL-STD-348

Documents

N/A

Material and plating

Connector parts

Center contact
Outer contact SMP side
Outer contact SMA side
Coupling nut
Dielectric

Material

CuBe
Stainless steel
Stainless steel
Stainless steel
PTFE

Plating

Gold, min. 1.27 µm, over chemical nickel
Passivated
Passivated
Passivated

Dieses Dokument ist urheberrechtlich geschützt • This document is protected by copyright • Rosenberger Hochfrequenztechnik GmbH & Co. KG

RF_35/09.14/6.2

SMP

Adaptor
SMP Plug – SMA Plug

19S132-S00S3

Electrical data

Impedance	50 Ω	
Frequency	DC to 26.5 GHz	
Return loss	≥ 35 dB, DC to 4 GHz	
	≥ 26 dB, 4 to 10 GHz	
	≥ 18 dB, 10 to 26.5 GHz	
Insertion loss	≤ 0.05 x √f(GHz) dB	
Insulation resistance	≥ 5 GΩ	
Center contact resistance	≤ 6.0 mΩ, SMP side;	≤ 3 mΩ, SMA side
Outer contact resistance	≤ 2.0 mΩ, SMP side;	≤ 2 mΩ, SMA side
Test voltage	500 V rms	
Working voltage	335 V rms	
Contact Current	1.2A DC max.	

Mechanical data

	SMP side	SMA side
Mating cycles	≥ 500	min. 500
Coupling nut retention	N/A	≥ 270 N
Center contact captivation: axial	≥ 27 N	≥ 27 N
Engagement force		N/A
- limited detent	45 N max.	
Disengagement force		N/A
- limited detent	9 N min.	
Coupling test torque	N/A	max. 1.7 Nm
Recommended torque	N/A	0.8 Nm to 1.1 Nm

Environmental data

Temperature range	-65°C to +155°C
Thermal shock	MIL-STD-202, Method 107, Condition B
Vibration	MIL-STD-202, Method 204, Condition B
Shock	MIL-STD-202, Method 213, Condition A
Moisture resistance	MIL-STD-202, Method 106
RoHS	compliant

Tooling

N/A

Suitable cables

N/A

Weight

Weight 5.9 g/pce

While the information has been carefully compiled to the best of our knowledge, nothing is intended as representation or warranty on our part and no statement herein shall be construed as recommendation to infringe existing patents. In the effort to improve our products, we reserve the right to make changes judged to be necessary.

For the installation of the electrotechnical equipment, particular electrotechnical expertise is required.



Draft	Date	Approved	Date	Rev.	Engineering change number	Name	Date
Inge Mühlauer	24.08.04	Chr. Janßen	28.10.20	f00	20-1927	S. Huber-Siegl	28.10.20
Rosenberger Hochfrequenztechnik GmbH & Co. KG P.O.Box 1260 D-84526 Tittmoning Germany www.rosenberger.de					Tel. : +49 8684 18-0 Email : info@rosenberger.de		Page 2 / 2