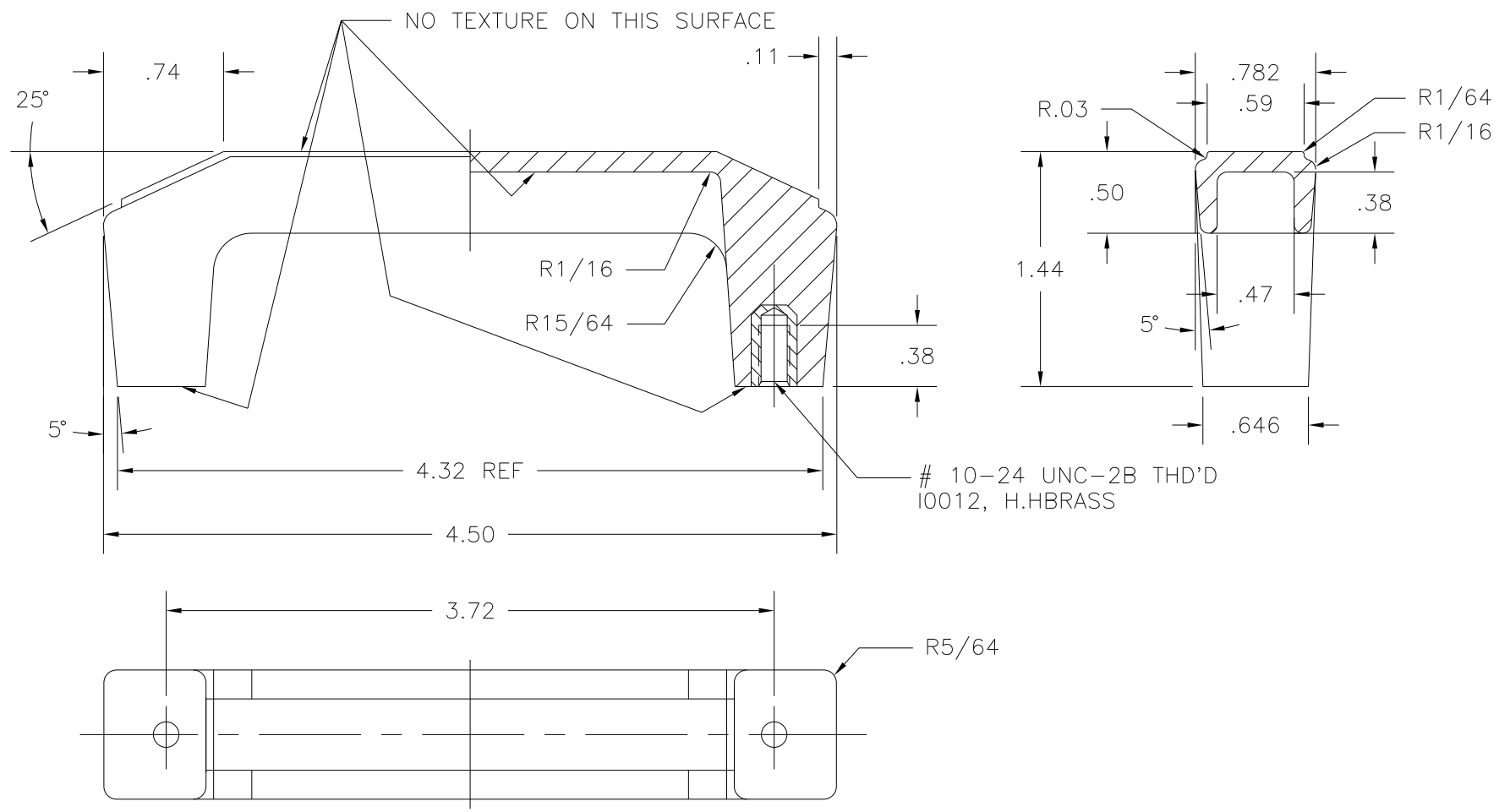


PART NAME: HANDLE SCALE: 1:1 DATE: 2/17/86 DR. BY HD  
 THIS DRAWING IS THE PROPERTY OF DAVIES MOLDING COMPANY, IS SUBMITTED SOLELY AS A DESIGN OR ENGINEERING PROJECT.  
 WE ACCEPT NO RESPONSIBILITY WHATSOEVER FOR THE PRACTICAL APPLICATION OF THE PIECES MADE TO THIS DESIGN.

**DAVIES MOLDING** DESIGNERS & MANUFACTURERS OF KNOBS, HANDLES, CASES & CUSTOM PLASTIC COMPONENTS

P/N 4555-A	
M NO. FRAME # 53	
CAVITY	4555
CORE	4555
PIN	4555-A
INSERT	I0012

CAD/REDRAWN : 6/9/93 : HD



NOTE(S) : (1) ALL SHOWN SURFACES ARE TEXTURED (RE-6105) (B)

(A) (2) MATERIAL: NYLON  
 COLOR: BLACK

TOLERANCES: UNLESS OTHERWISE SPECIFIED	DO NOT SCALE DRAWING			
DECIMALS: X.XXX ± .005 X.XX ± .015	MM: X.XX ± 0.15MM X.X ± 0.4MM	B	WAS POLYPROPYLENE	JAM 8/20/09
FRACTIONS ± 1/64	ANG. ± 1°	-	PRINT CHANGED TO PART	JRM 7/31/97
		A	WAS ABS	HD 4/4/94
CHANGES				