



soberton inc.

DYNAMIC SPEAKER UNIT

Acoustic Product Specification

Product Number: SP-4012Y



Release | Revision: A/2018

CONTENTS

This document contains the technical specifications for the dynamic speaker.

Page 1

Speaker Specification

Page 2

Measuring Circuit

Typical Frequency Response Curve

Page 3

Dimensions

Speaker Specification

Item	Specification	Testing Condition
Dimensions	Ø40.0 x H12.2	
Voice Coil Impedance	8Ω ±15%	At 1.0KHz 1V
Resonant Frequency	610±20%Hz	At 1.0V
Output S.P.L.	83±2dB at 1.0, 1.2, 1.5, 2.0 KHz in average	At 1.0m /1.0W
Frequency Response	f0~6.0KHz	-10dB
Rated Input Power	0.6 W	
Max Input Power	1.2 W	
Distortion	≤ 7 %	
Operation	Must be normal	Program source 0.6 W
Noise	Must be normal	Sine wave 2.2 V
Heat Test	Meet items 8 & 9 after test	55±2°C 16 hours
Humidity Test	Meet items 8 & 9 after test	40±2°C 90~95%RH 48 hours
Load Test	Meet items 8 & 9 after test	0.6 W 100 hours
Magnet	Φ12.5 x 3.0 mm NdFeB	
Net Weight	17±0.5 grams	
Polarity	When a positive DC current is applied to the terminal marked(+), the diaphragm moves forward.	
Storage Temperature	-20°C ~ 60°C	



soberton inc.

DYNAMIC SPEAKER UNIT

Acoustic Product Specification

Product Number: SP-4012Y



Release | Revision: A/2018

CONTENTS

This document contains the technical specifications for the dynamic speaker.

Page 1

Speaker Specification

Page 2

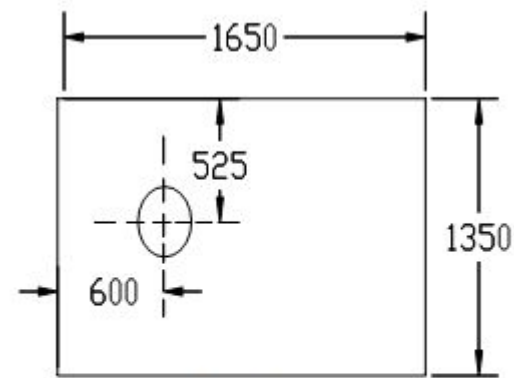
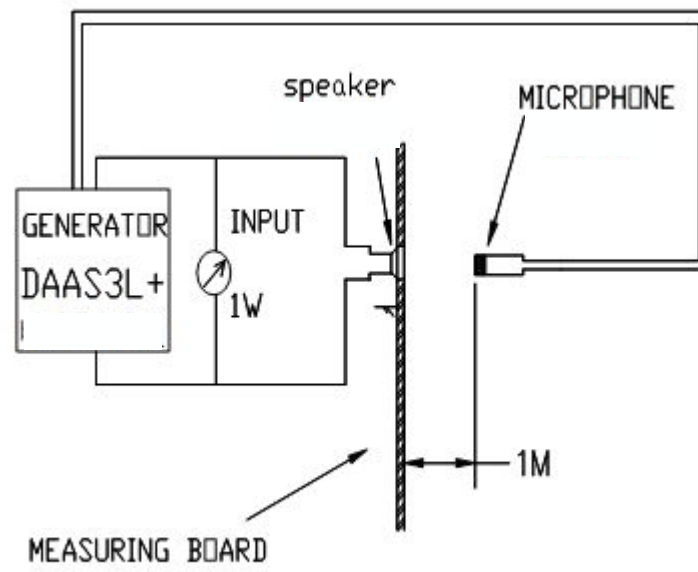
Measuring Circuit

Typical Frequency Response Curve

Page 3

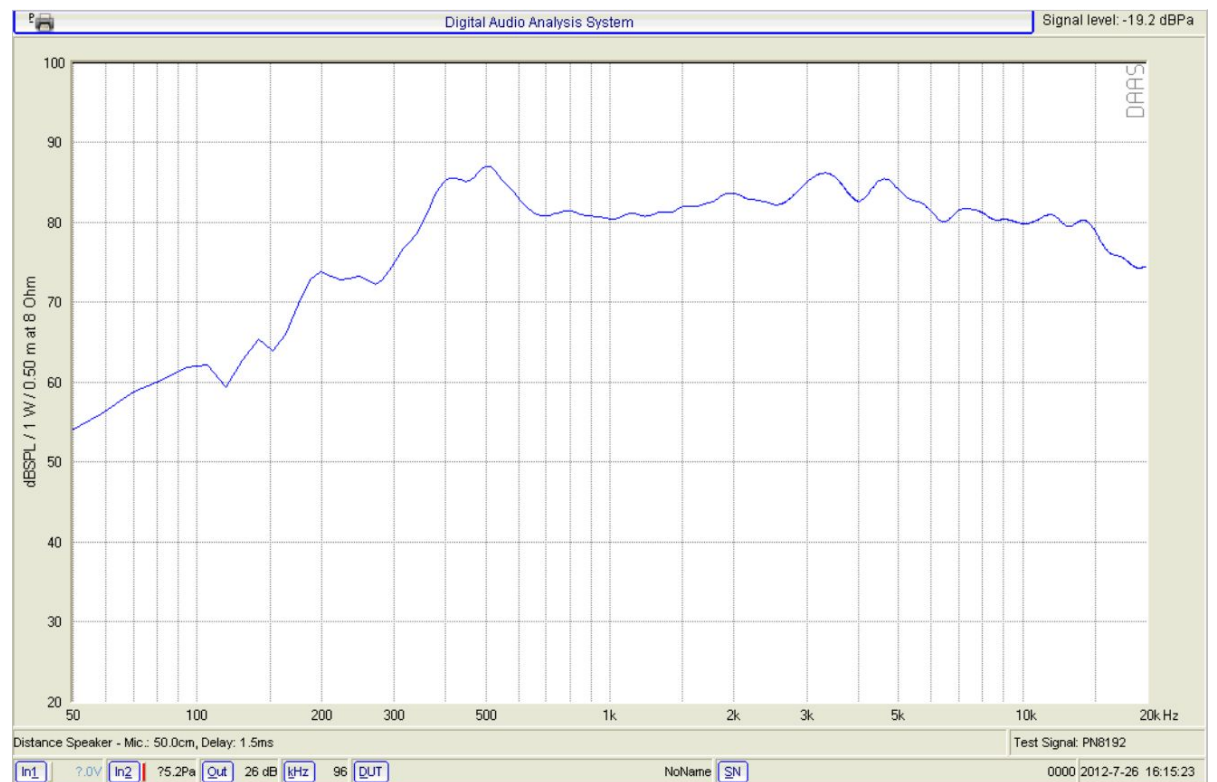
Dimensions

Measuring Circuit



MEASUREMENT

Typical Frequency Response Curve





soberton inc.

DYNAMIC SPEAKER UNIT

Acoustic Product Specification

Product Number: SP-4012Y



Release | Revision: A/2018

CONTENTS

This document contains the technical specifications for the dynamic speaker.

Page 1

Speaker Specification

Page 2

Measuring Circuit

Typical Frequency Response Curve

Page 3

Dimensions

Dimensions

Tolerance: $\pm 0.2\text{mm}$

