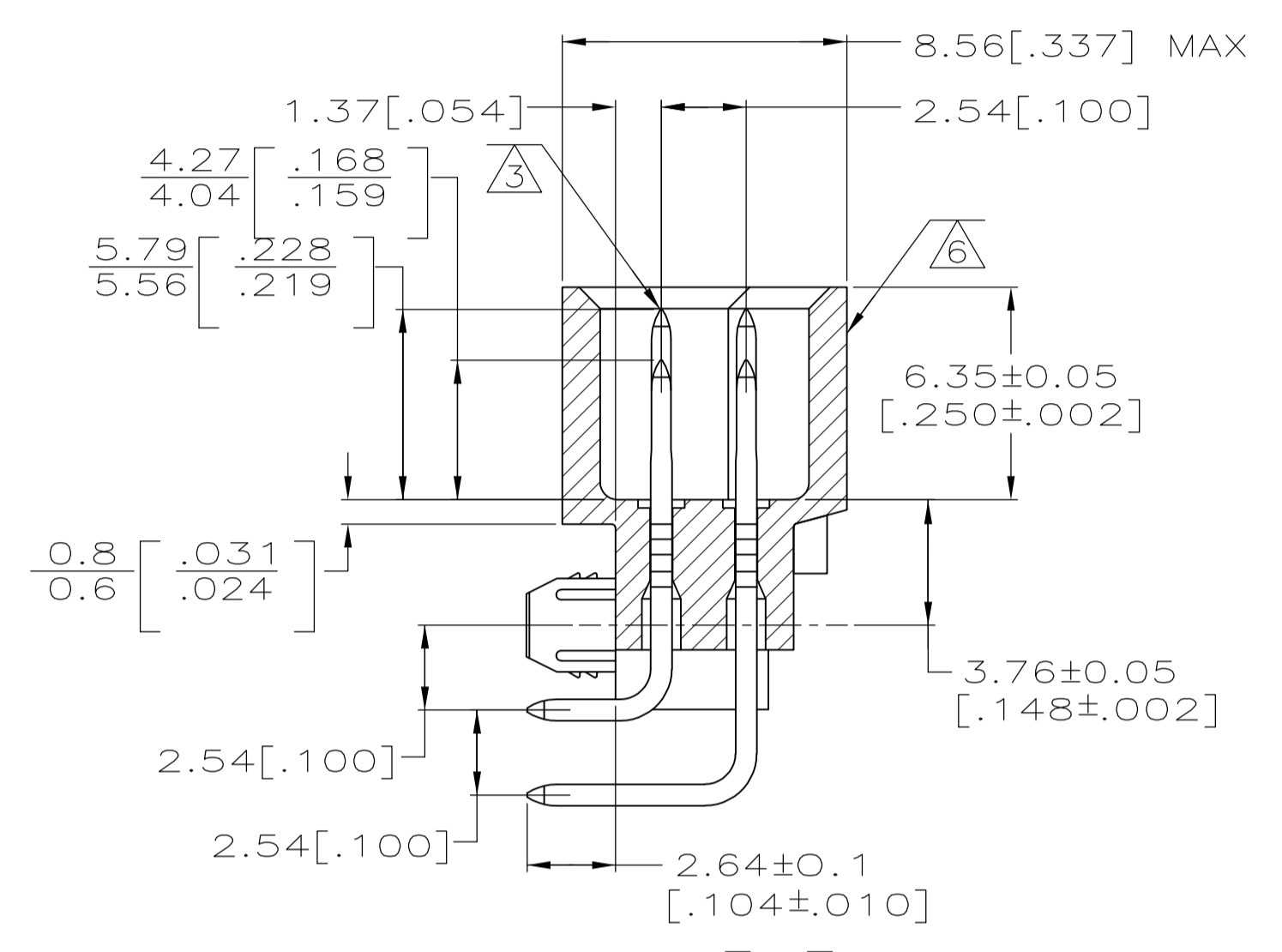
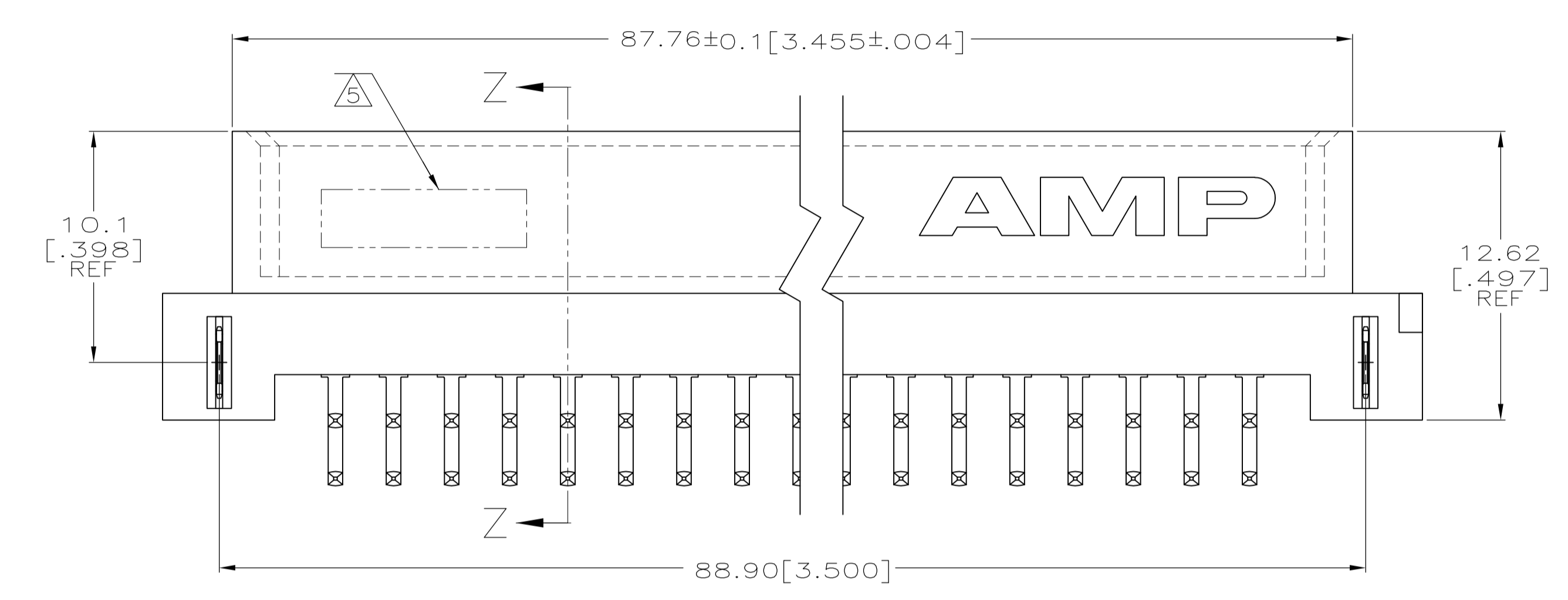
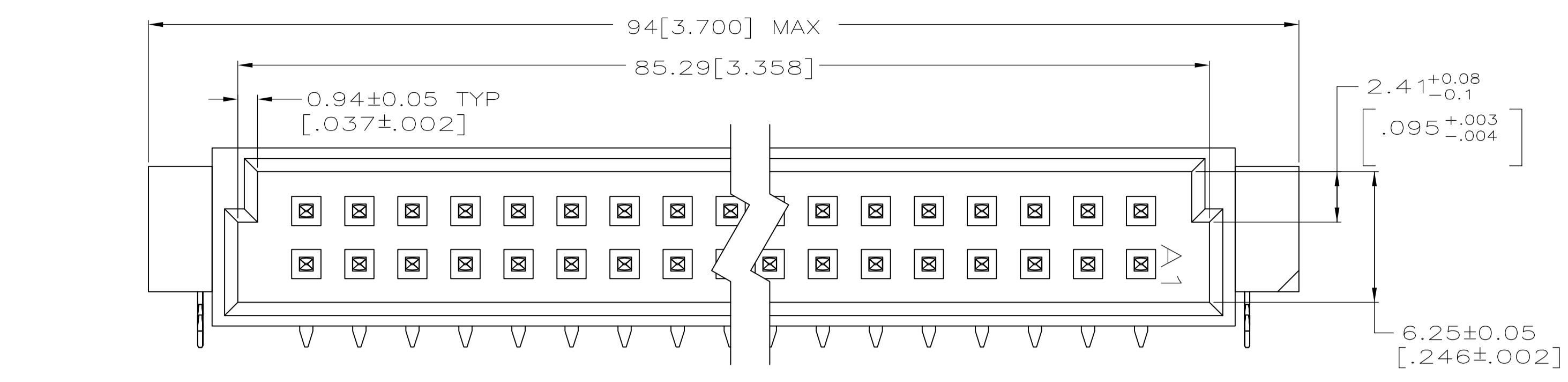
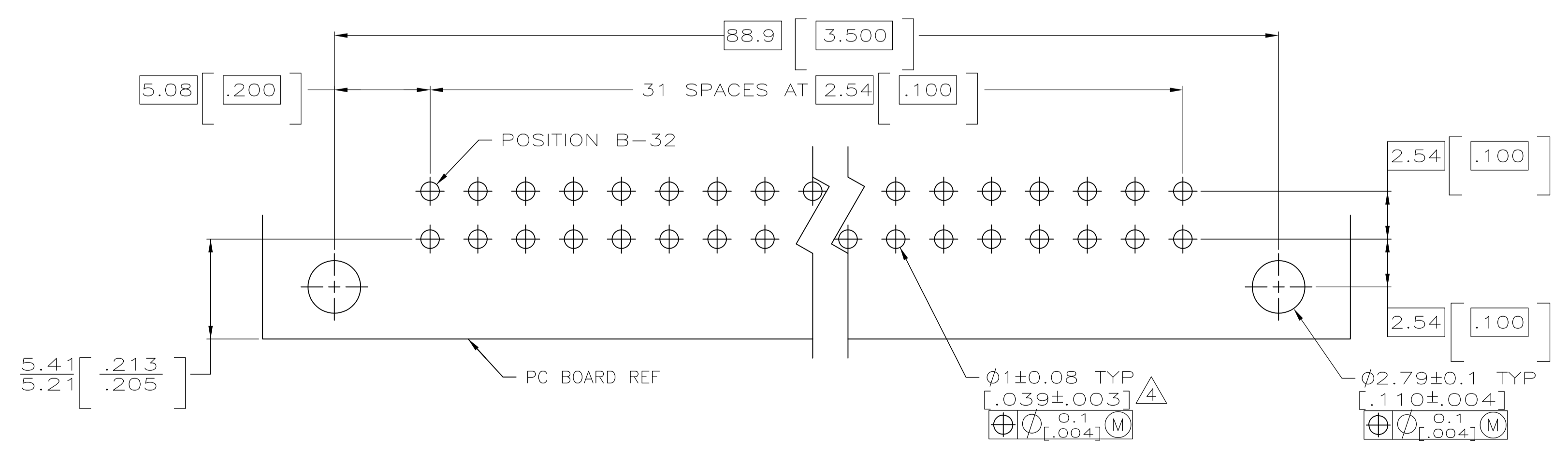
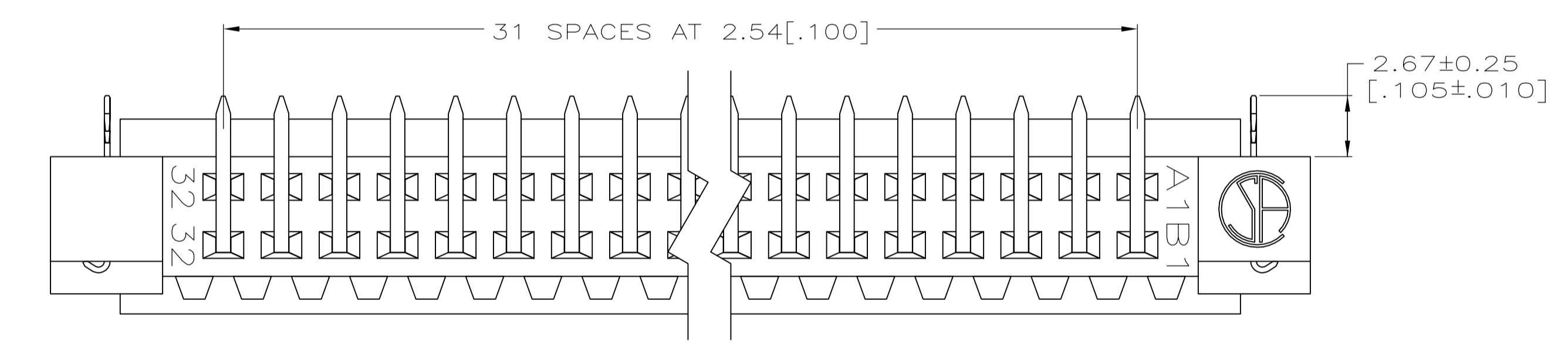


LOC	DIST	REVISONS					
AD	25	P	LTR	DESCRIPTION	DATE	OWN	APVD
		A		REVISED PER ECO-07-007578		DH	DB



SECTION Z-Z



RECOMMENDED PC BOARD LAYOUT

- ① HOUSING MATERIAL: HIGH-TEMPERATURE, GLASS-FILLED POLYMER. COLOR: GRAY OR WHITE.
- ② POST MATERIAL: BRASS.
- ③ POST FINISH: DIN 41612 CLASS 2 IN CONTACT AREA. TIN-LEAD PLATE ON POSTS.
- ④ RECOMMENDED HOLE SIZE FOR MANUAL APPLICATION OF CONNECTOR ONTO PC BOARD.
- ⑤ PART NUMBER, DATE CODE MARKED THIS APPROXIMATE AREA.
- ⑥ MARKINGS ON THIS SIDE.
- 7. THE 5.69[.224] LONG MAKE FIRST POSTS EXCEED THE ALIGNMENT CAPABILITY OF THE HOUSING AND COULD POSSIBLY STUB DURING MATING. CUSTOMERS MUST TAKE THIS INTO CONSIDERATION IN CARD CAGE DESIGN.

9-14,16,18,20,23,24	15,17,19,21,22	B	16	148268-5
9-14,16,18,20,23,24	1,15,17,19,21,22,32	A	18	
POSITIONS LOADED WITH 5.69[.224] CONTACTS	POSITIONS LOADED WITH 4.16[.164] CONTACTS	ROWS	NO. OF LOADED POSITIONS	PART NUMBER

THIS DRAWING IS A CONTROLLED DOCUMENT FOR AMP INCORPORATED. IT IS SUBJECT TO CHANGE AND THE CONTROLLING ENGINEERING ORGANIZATION SHOULD BE CONTACTED FOR THE LATEST REVISION.

DIMENSIONS:	TOLERANCES UNLESS OTHERWISE SPECIFIED:	DWN L. BRINER 4/23/96	AMP Incorporated Harrisburg, PA 17105-3608
mm	0 PLC ± 1 PLC ± 2 PLC ±0.13[.005] 3 PLC ± 4 PLC ±	CHK C. RICHARD 4/23/96	
	ANGLES ±	APVD C. RICHARD 4/23/96	
MATERIAL	HOUSING: ① POST: ②	NAME PRODUCT SPEC APPLICATION SPEC	SIZE CAGE CODE DRAWING NO A1 00779 C-148268
		WEIGHT	CUSTOMER DRAWING SCALE 5:1 SHEET 1 OF 1 REV