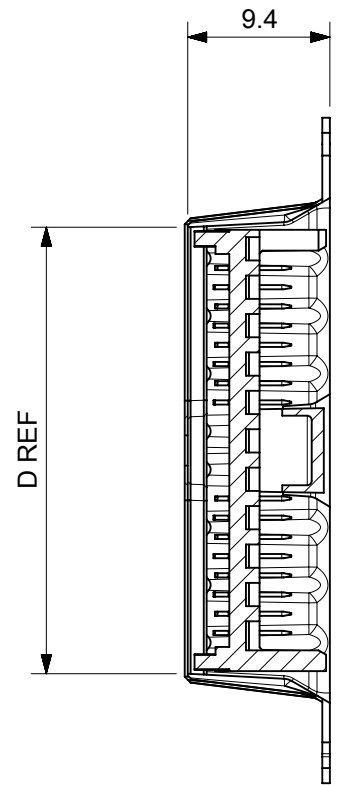
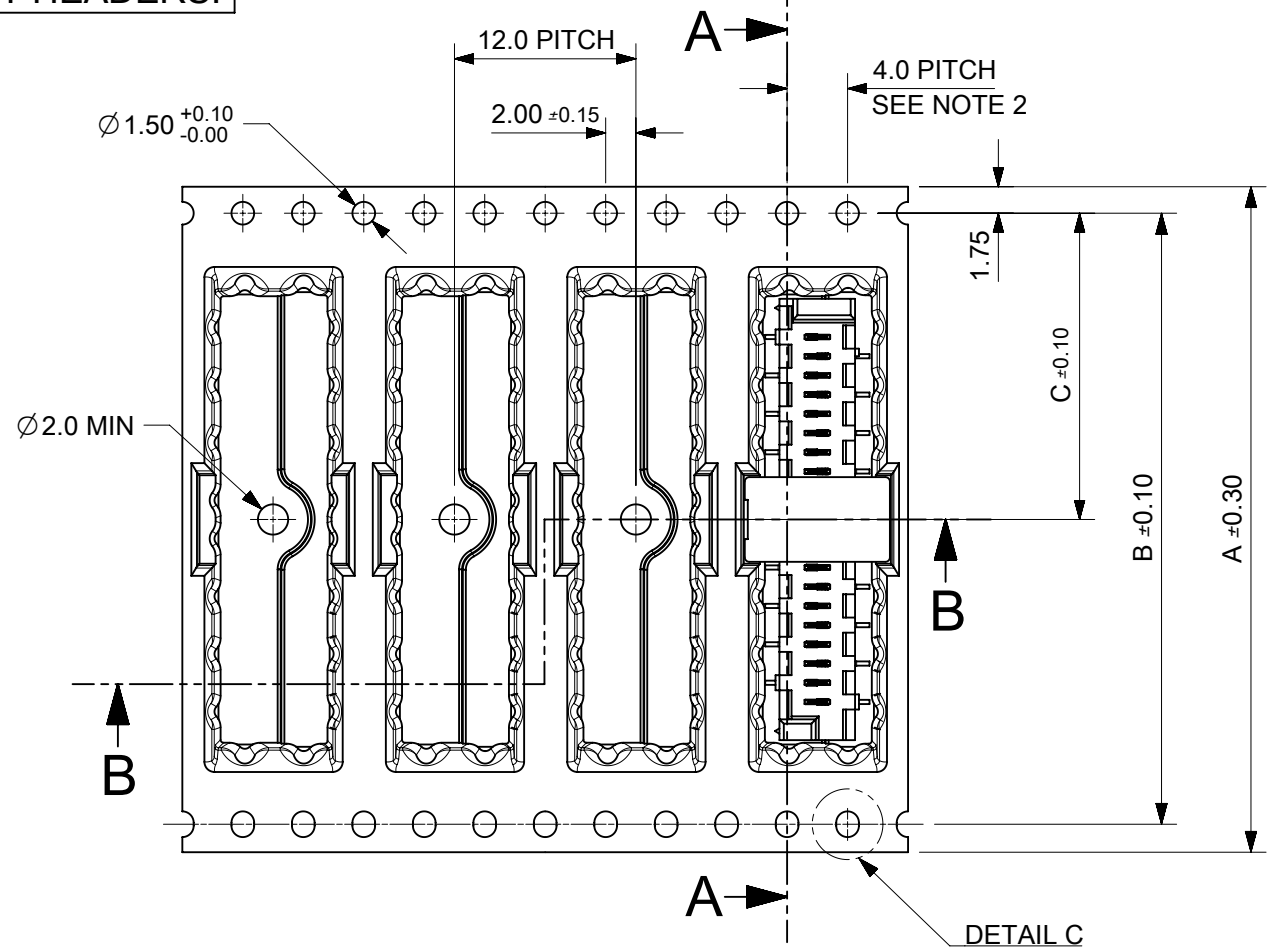


**CARRIER TAPE FOR STANDARD SMT HEADERS.**

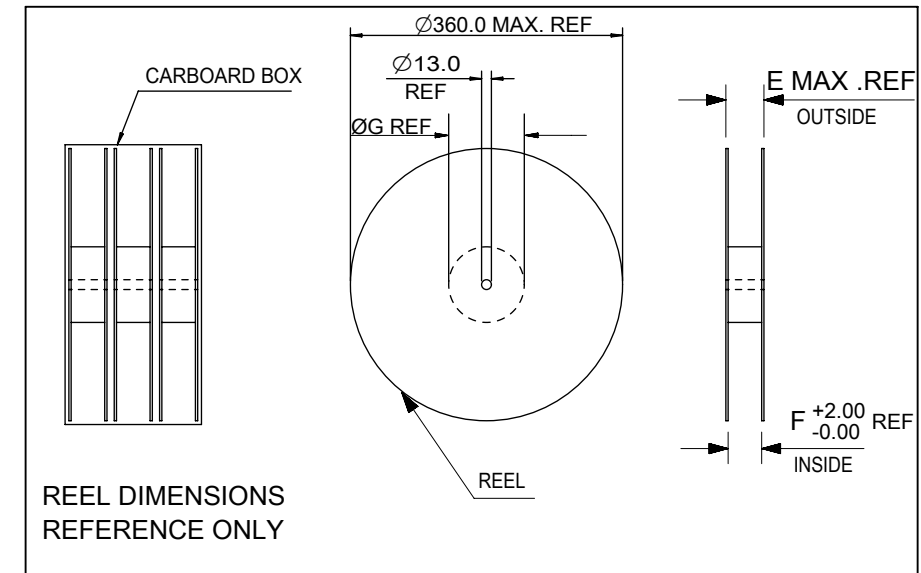


SECTION A-A



DETAIL C

| PART NUMBER     | NO. OF CKTS | DIM A | DIM B | DIM C | DIM D | DIM E | DIM F | DIM G | PIECES PER BOX | REELS PER BOX | PIECES PER REEL |
|-----------------|-------------|-------|-------|-------|-------|-------|-------|-------|----------------|---------------|-----------------|
| 90814-*220/*520 | 20          | 44.0  | 40.4  | 20.2  | 29.5  | 50.4  | 44.4  | 100.0 | 1800           | 3             | 600             |
| 90814-*218/*518 | 18          |       |       |       |       |       |       |       |                |               |                 |
| 90814-*216/*516 | 16          |       |       |       |       |       |       |       |                |               |                 |
| 90814-*214/*514 | 14          |       |       |       |       |       |       |       |                |               |                 |
| 90814-*212/*512 | 12          |       |       |       |       |       |       |       |                |               |                 |
| 90814-*210/*510 | 10          |       |       |       |       |       |       |       |                |               |                 |
| 90814-*208/*508 | 8           |       |       |       |       |       |       |       |                |               |                 |
| 90814-*206/*506 | 6           |       |       |       |       |       |       |       |                |               |                 |
| 90814-*204/*504 | 4           |       |       |       |       |       |       |       |                |               |                 |

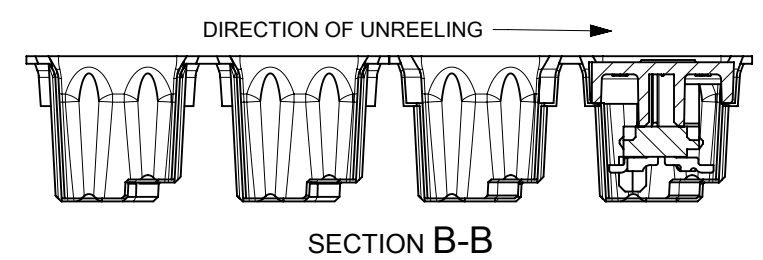
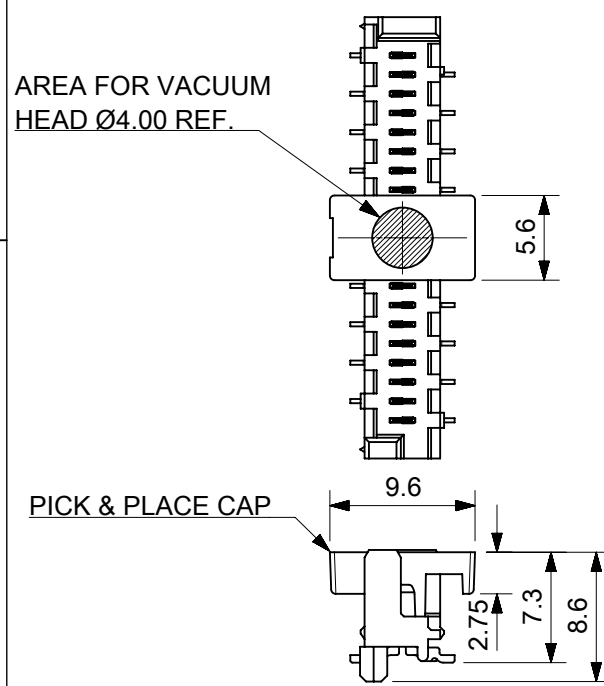


STANDARD SMT PICOFLEX COMPONENT & CAP DETAIL  
PART NUMBERS 90814-\*2\*\*/\*5\*\*

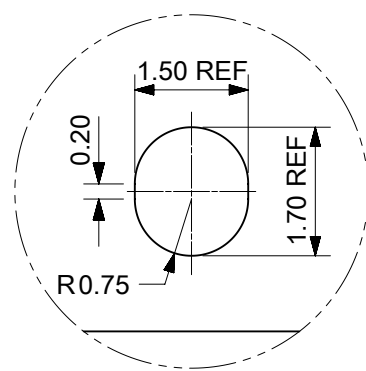
SEE DRAWING NO. SDA-90814 FOR COMPONENT DETAIL

AREA FOR VACUUM HEAD  $\varnothing 4.00 \text{ REF.}$

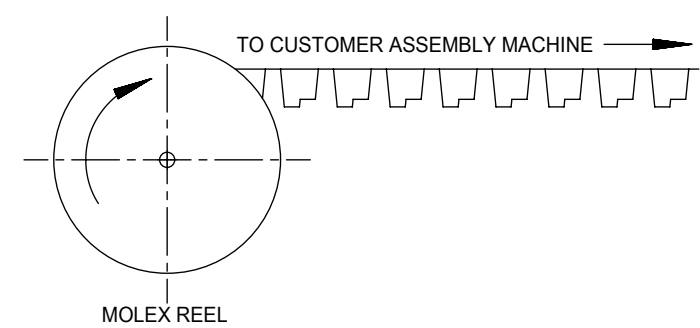
PICK & PLACE CAP



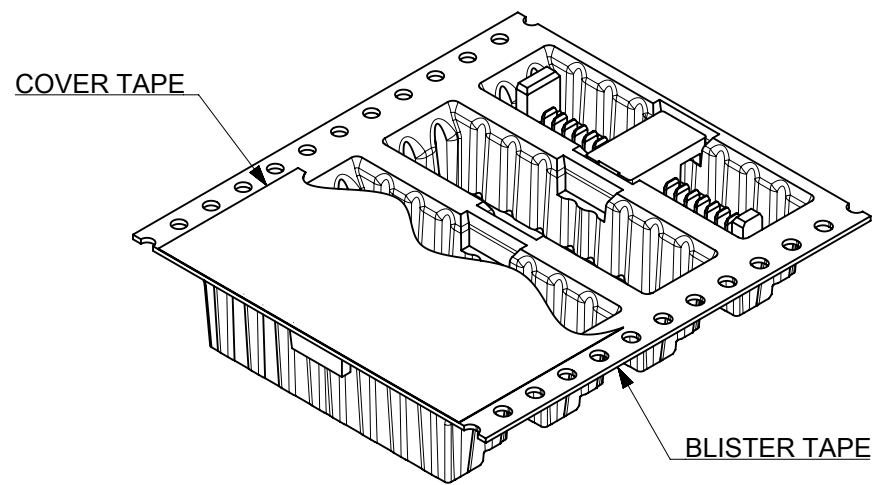
SECTION B-B



DETAIL C  
SCALE 10:1



MOLEX REEL

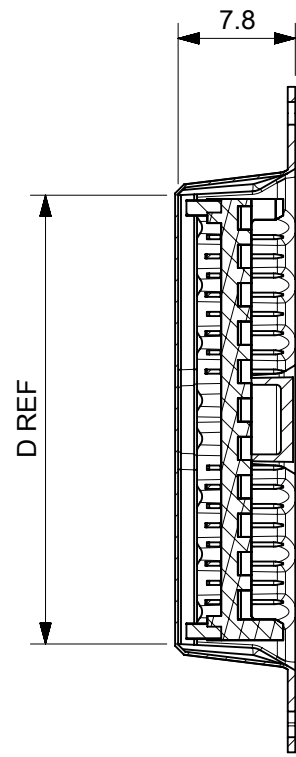


- NOTES:
- MATERIAL:  
CARRIER TAPE: VOLUME NON-CONDUCTIVE ANTISTATIC COATED POLYSTYRENE, 0.4 mm REF. THICK, CLEAR.  
COVER TAPE: COLD SEAL POLYESTER, 0.06 mm REF. THICK, TRANSPARENT.
  - PITCH TOLERANCE OVER ANY 10 PITCHES ± 0.2 mm.
  - ALL CAVITY WALLS HAVE DRAFT ANGLE UNLESS STATED OTHERWISE.
  - ALL INTERNAL RADII R0.3 MAX.
  - PEEL FORCE OF THE COVER TAPE IS 0.1 N TO 1.3 N AT MAXIMUM PEEL SPEED OF 300 mm/MIN, ± 10%.
  - REFERENCE TO IEC 60286-3.

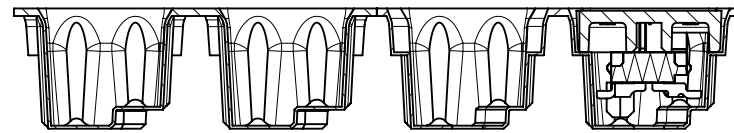
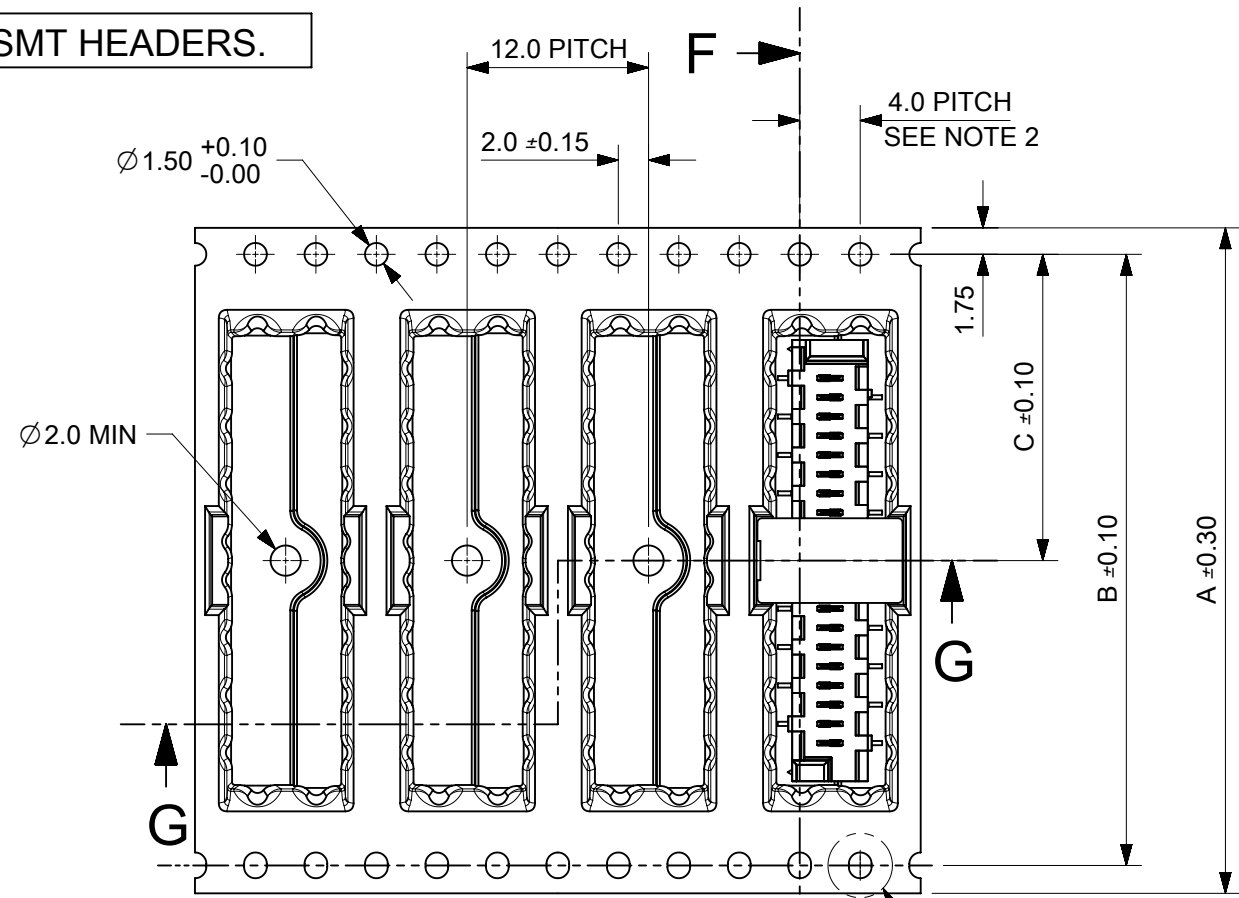
|   |       |                           |         |                            |              |
|---|-------|---------------------------|---------|----------------------------|--------------|
| THIS DRAWING CONTAINS INFORMATION THAT IS PROPRIETARY TO MOLEX ELECTRONIC TECHNOLOGIES, LLC AND SHOULD NOT BE USED WITHOUT WRITTEN PERMISSION |       | CURRENT REV DESC: REVISED |         | <b>molex</b>               |              |
| DIMENSION UNITS   | SCALE |                           |         |                            |              |
| mm  | 1.5:1 |                           |         | PRODUCT CUSTOMER DRAWING   |              |
| GENERAL TOLERANCES (UNLESS SPECIFIED)   |       | EC NO: 169568             |         | DOCUMENT NUMBER            |              |
| ANGULAR TOL ± 2.0°  |       | DRWN: BPMURPHY 2017/12/05 |         | 908149002                  |              |
| 4 PLACES ±  |       | CHK'D: DSHEA 2018/04/13   |         | DOC TYPE DOC PART REVISION |              |
| 3 PLACES ±  |       | APPR: DBYRNES 2018/04/18  |         | PSD 000 B                  |              |
| 2 PLACES ± 0.1  |       | INITIAL REVISION:         |         | MATERIAL NUMBER            |              |
| 1 PLACE ± 0.2   |       | DRWN: BPMURPHY 2017/09/25 |         | CUSTOMER                   |              |
| 0 PLACES ±  |       | APPR: DBYRNES 2017/11/17  |         | GENERAL MARKET             |              |
| DRAFT WHERE APPLICABLE MUST REMAIN WITHIN DIMENSIONS  |       | THIRD ANGLE PROJECTION    | DRAWING | SERIES                     | SHEET NUMBER |
|   |       |                           | A3-SIZE | 90814                      | 1 OF 2       |

CARRIER TAPE FOR LOW PROFILE SMT HEADERS.

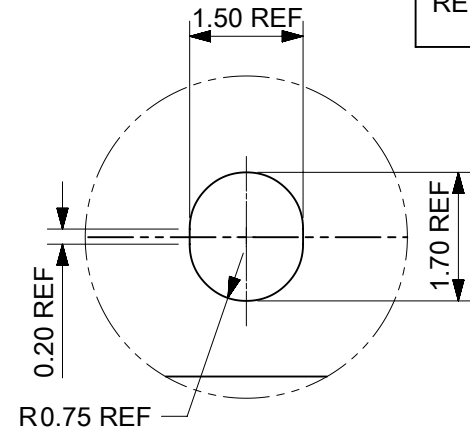
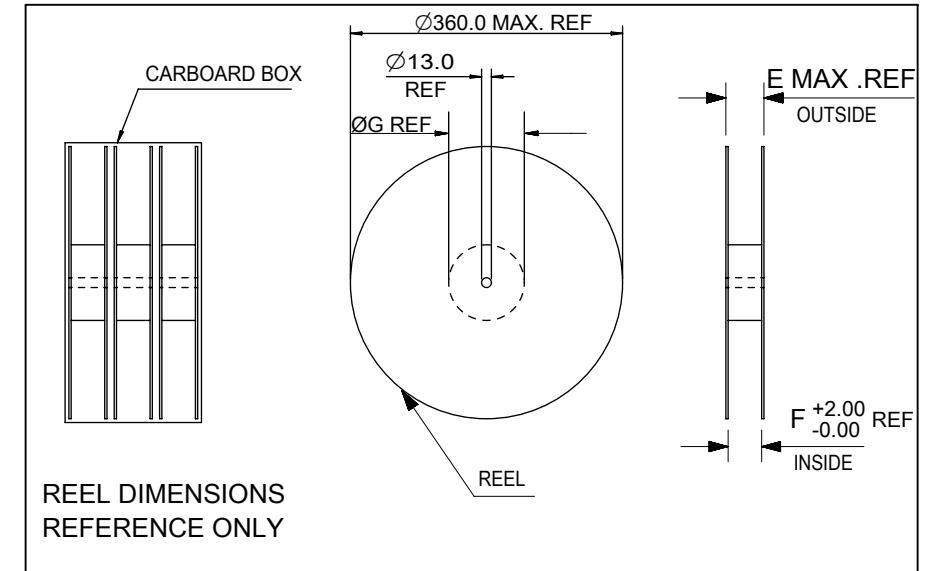
| PART NUMBER     | NO. OF CKTS | DIM A | DIM B | DIM C | DIM D | DIM E | DIM F | DIM G | PIECES PER BOX | REELS PER BOX | PIECES PER REEL |
|-----------------|-------------|-------|-------|-------|-------|-------|-------|-------|----------------|---------------|-----------------|
| 90814-*720/*920 | 20          | 44.0  | 40.4  | 20.2  | 29.5  | 50.4  | 44.4  | 100.0 | 1800           | 3             | 600             |
| 90814-*718/*918 | 18          |       |       |       |       |       |       |       |                |               |                 |
| 90814-*716/*916 | 16          |       |       |       |       |       |       |       |                |               |                 |
| 90814-*714/*914 | 14          |       |       |       |       |       |       |       |                |               |                 |
| 90814-*712/*912 | 12          |       |       |       |       |       |       |       |                |               |                 |
| 90814-*710/*910 | 10          |       |       |       |       |       |       |       |                |               |                 |
| 90814-*708/*908 | 8           |       |       |       |       |       |       |       |                |               |                 |
| 90814-*706/*906 | 6           |       |       |       |       |       |       |       |                |               |                 |
| 90814-*704/*904 | 4           |       |       |       |       |       |       |       |                |               |                 |



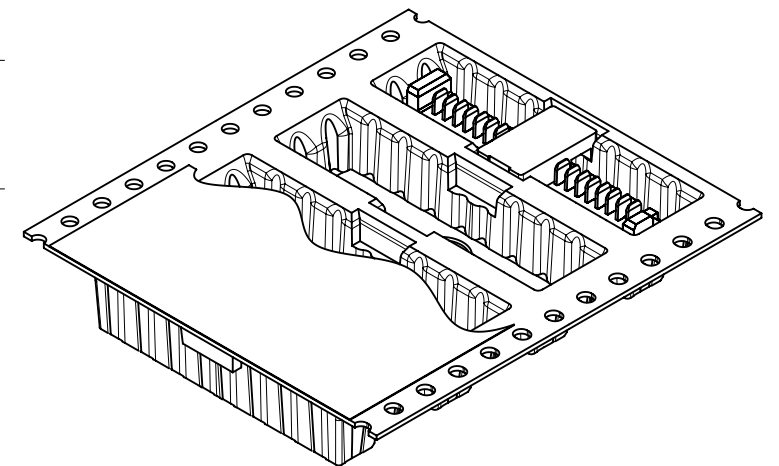
SECTION F-F



SECTION G-G

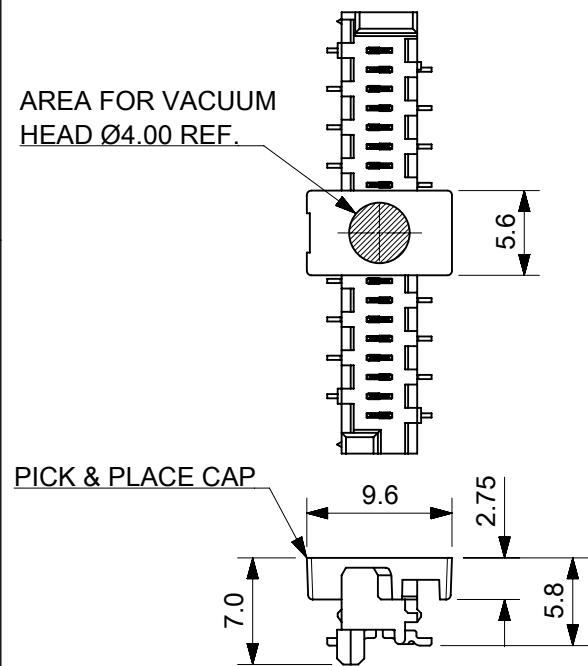


DETAIL H  
SCALE 10:1

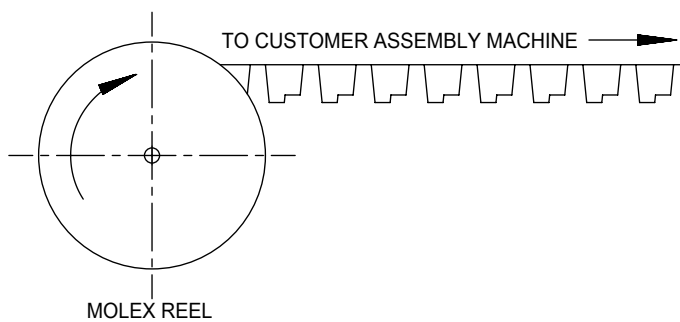


LOW-PROFILE SMT PICOFLEX COMPONENT & CAP DETAIL  
PART NUMBERS 90814-\*7\*\*/\*9\*\*

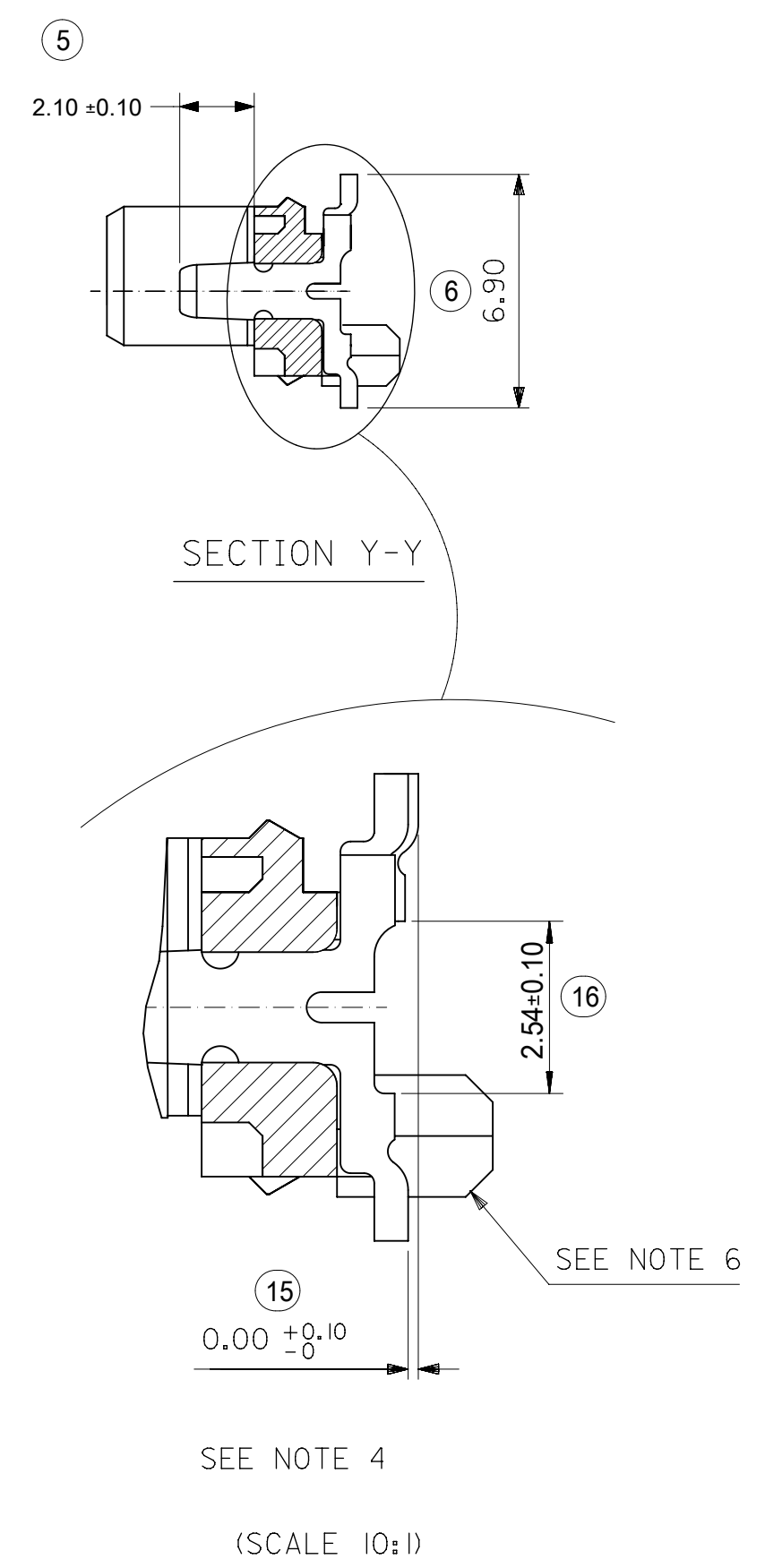
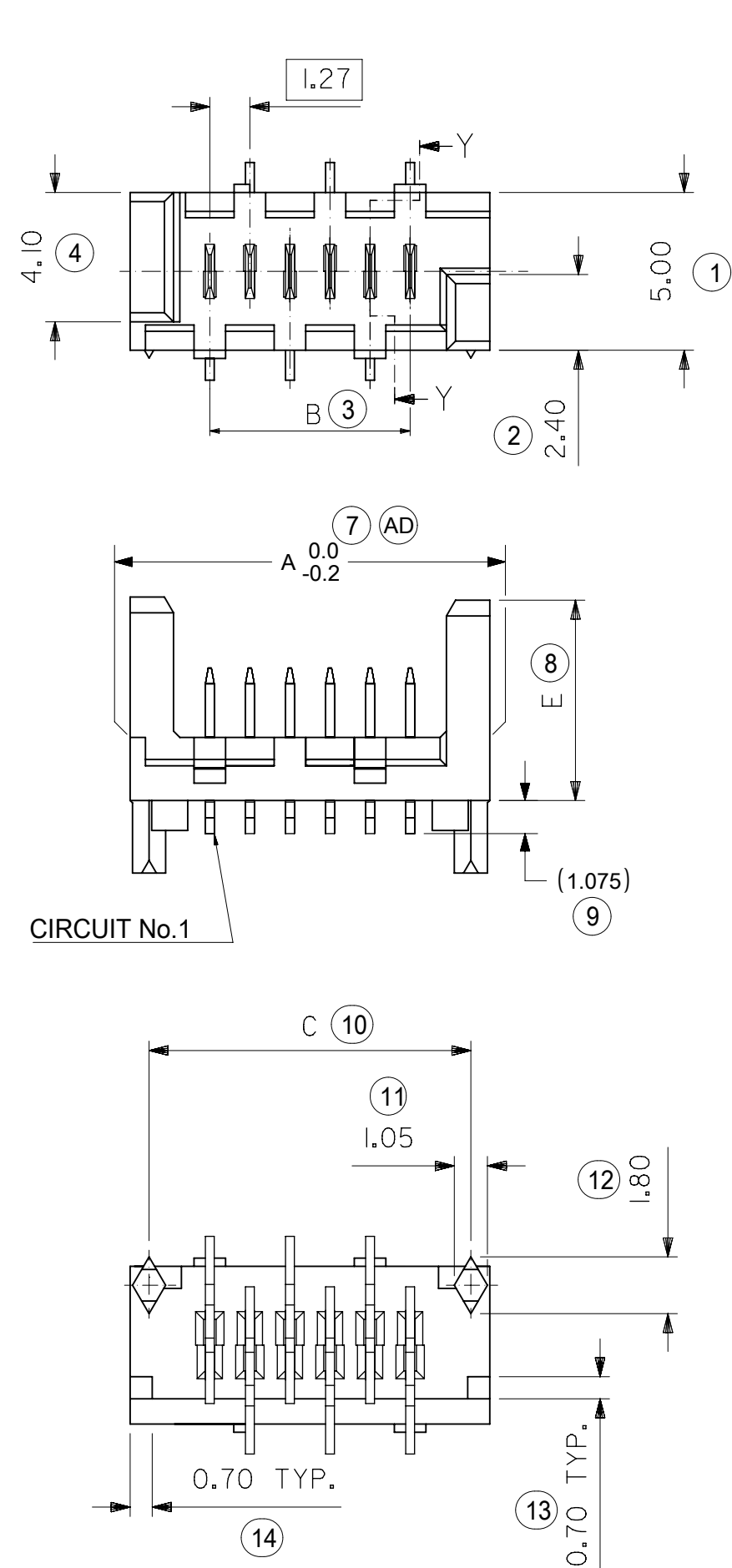
SEE DRAWING NO. SDA-90814 FOR COMPONENT DETAIL



- NOTES:
- MATERIAL:  
CARRIER TAPE: VOLUME NON-CONDUCTIVE ANTISTATIC COATED POLYSTYRENE, 0.4 mm REF. THICK, CLEAR.  
COVER TAPE: COLD SEAL POLYESTER, 0.06 mm REF. THICK, TRANSPARENT.
  - PITCH TOLERANCE OVER ANY 10 PITCHES ±0.2 mm.
  - ALL CAVITY WALLS HAVE DRAFT ANGLE UNLESS STATED OTHERWISE.
  - ALL INTERNAL RADII R0.3 MAX.
  - PEEL FORCE OF THE COVER TAPE IS 0.1 N TO 1.3 N AT MAXIMUM PEEL SPEED OF 300 mm/MIN, ±10%.
  - REFERENCE TO IEC 60286-3.



| DIMENSION UNITS                                      |   | SCALE | CURRENT REV DESC: REVISED |            |        | <b>molex</b>                     |                |              |
|--|---|-------|---------------------------|------------|--------|----------------------------------|----------------|--------------|
| mm   |   | 1.5:1 |                           |            |        | PICOFLEX SMT HEADER BLISTER TAPE |                |              |
| GENERAL TOLERANCES (UNLESS SPECIFIED)                |   |       | EC NO: 169568             |            |        | PRODUCT CUSTOMER DRAWING         |                |              |
| ANGULAR TOL  | ± | 2.0°  | DRWN: BPMURPHY            | 2017/12/05 |        | DOCUMENT NUMBER                  |                |              |
| 4 PLACES   | ± |       | CHK'D: DSHEA              | 2018/04/13 |        | 908149002                        |                |              |
| 3 PLACES   | ± |       | APPR: DBYRNES             | 2018/04/18 |        | DOC TYPE DOC PART REVISION       |                |              |
| 2 PLACES   | ± | 0.1   | INITIAL REVISION:         |            |        | PSD 000 B                        |                |              |
| 1 PLACE  | ± | 0.2   | DRWN: BPMURPHY            | 2017/09/25 |        | MATERIAL NUMBER                  |                |              |
| 0 PLACES   | ± |       | APPR: DBYRNES             | 2017/11/17 |        | CUSTOMER                         |                |              |
| DRAFT WHERE APPLICABLE MUST REMAIN WITHIN DIMENSIONS |   |       | THIRD ANGLE PROJECTION    | DRAWING    | SERIES | MATERIAL NUMBER                  | CUSTOMER       | SHEET NUMBER |
|  |   |       |                           | A3-SIZE    | 90814  | SEE TABLE                        | GENERAL MARKET | 2 OF 2       |



- NOTES:
- 1) MATERIAL: HOUSING: NYLON (PA) GLASS FILLED. UL94 V-0, NATURAL (BEIGE)  
TERMINAL - CARTRIDGE BRASS 0.28 REF THICK
  - 2) PLATING:  
TIN: TIN (Sn) 3-5 MICROMETRE OVER 1.27 MICROMETRE MIN NICKEL(Ni).  
GOLD : UNDERPLATED 1.27µm MIN NICKEL  
3-5µm TIN SELECTIVE  
0.76µm MIN. SELECTIVE GOLD
  - 3) MATES WITH MOLEX 90327 PART SERIES.
  - 4) ALL SMT TAILS TO LIE WITHIN A COPLANARITY BAND OF 0.0 - 0.10 REF. FROM EACH OTHER.
  - 5) FOR TAPE AND REEL PACKAGING SEE 908149001 PSD AND 908149002 PSD.  
FOR TUBE PACKAGING SEE PK-90814-001
  - 6) PCB PEGS ARE OPTIONAL.
  - 7) PCB LAYOUT SHOWN ON SHEET 2.
  - 8) PRODUCT SPECIFICATION: PS-99020-0011
  - 9) FOR RECOMMENDED REFLOW PROFILES, REFER TO PS-99020-0011 APPENDIX B

INSPECTION NUMBERS USED ON SHEET 1: 1-50  
LAST INSPECTION NUMBER: 16

90814 - \* \* \*  
CIRCUIT SIZE

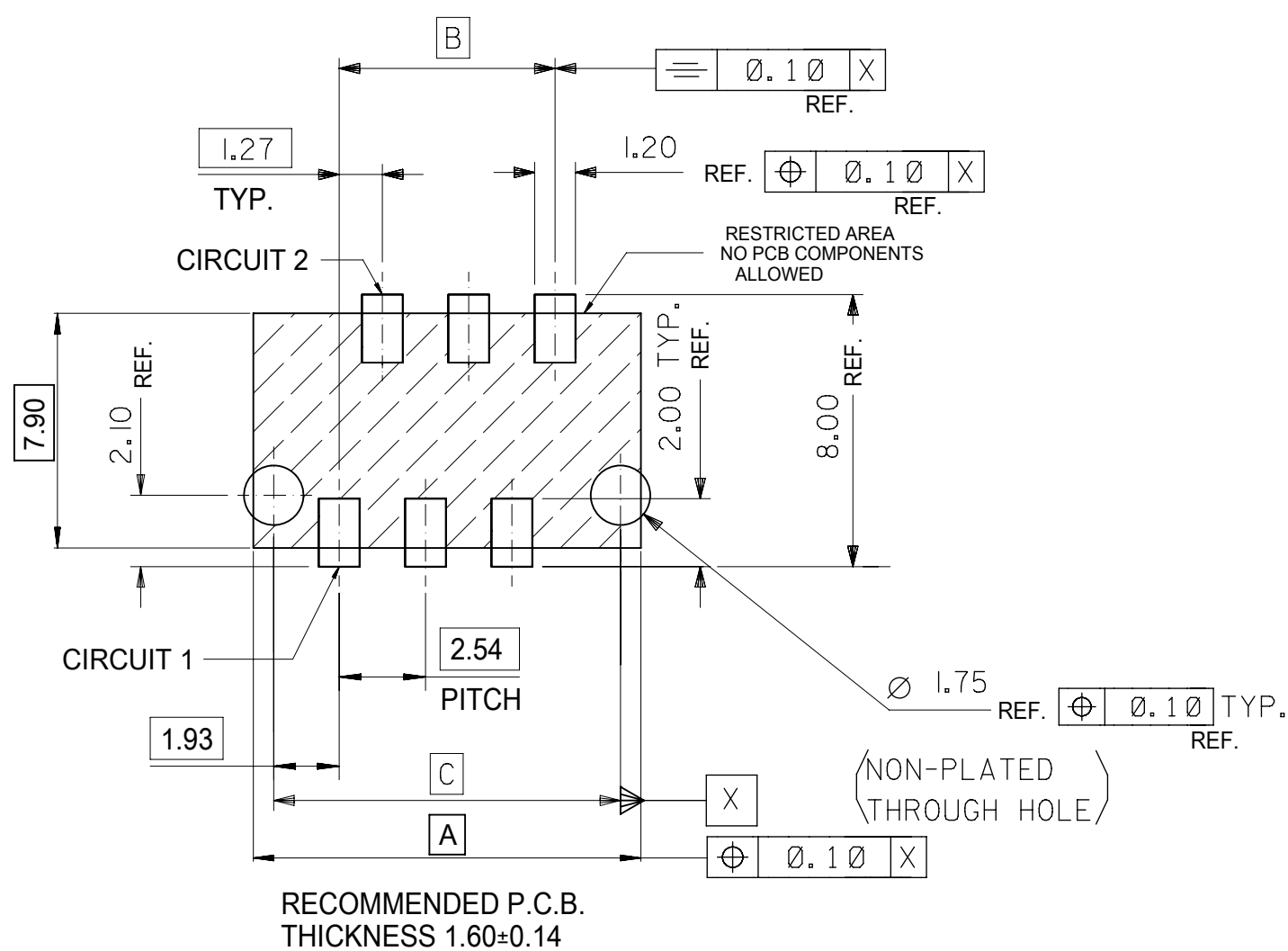
|   | PCB PEGS | TUBE PACKED | TAPE & REEL PACKED | POLARIZING PEG HEIGHT DIMN. E |          |
|---|----------|-------------|--------------------|-------------------------------|----------|
| 0 | YES      | YES         | NO                 | 6.40                          | STANDARD |
| 2 | YES      | NO          | YES                | 6.40                          | PROFILE  |
| 3 | NO       | YES         | NO                 | 6.40                          | REFLOW   |
| 5 | NO       | NO          | YES                | 6.40                          | NOTE 9   |
| 6 | NO       | YES         | NO                 | 4.10                          | LOW      |
| 7 | NO       | NO          | YES                | 4.10                          | PROFILE  |
| 8 | YES      | YES         | NO                 | 4.10                          | REFLOW   |
| 9 | YES      | NO          | YES                | 4.10                          | NOTE 9   |

0= 3-5 MICROMETRE TIN VERSION  
3= 0.76µm GOLD PLATING

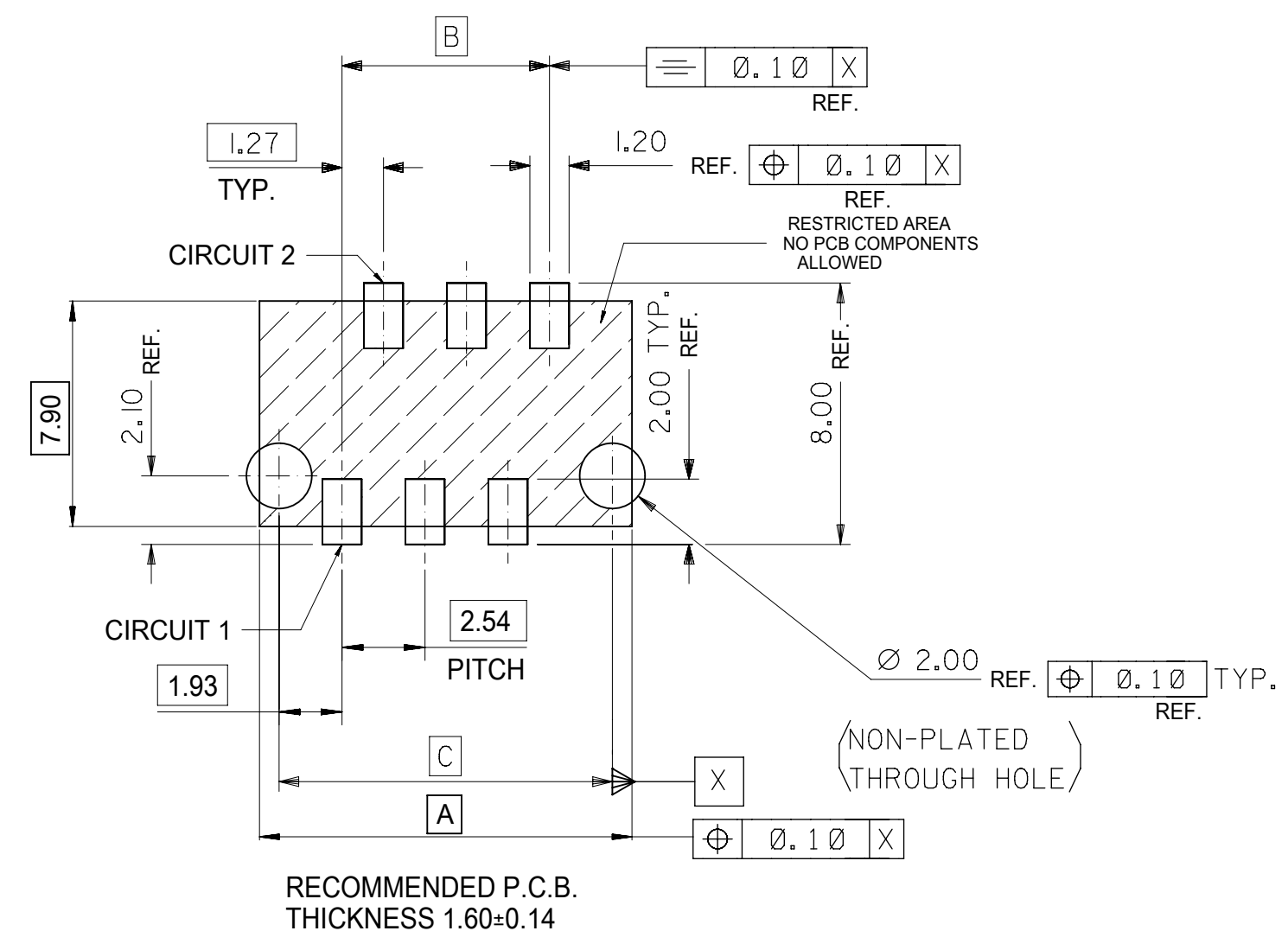
|             |                |         |         |         |   |        |
|-------------|----------------|---------|---------|---------|---|--------|
| 90814-**-26 | 26             | 36.80   | 31.75   | 35.60   | 14  | YES    |
| 90814-**-24 | 24             | 34.26   | 29.21   | 33.06   | 15  | YES    |
| 90814-**-22 | 22             | 31.72   | 26.67   | 30.52   | 16  | YES    |
| 90814-**-20 | 20             | 29.18   | 24.13   | 27.98   | 18  | YES    |
| 90814-**-18 | 18             | 26.64   | 21.59   | 25.44   | 20  | YES    |
| 90814-**-16 | 16             | 24.10   | 19.05   | 22.90   | 22  | YES    |
| 90814-**-14 | 14             | 21.56   | 16.51   | 20.36   | 25  | YES    |
| 90814-**-12 | 12             | 19.02   | 13.97   | 17.82   | 28  | YES    |
| 90814-**-10 | 10             | 16.48   | 11.43   | 15.28   | 32  | YES    |
| 90814-**-08 | 8              | 13.94   | 8.89    | 12.74   | 38  | YES    |
| 90814-**-06 | 6              | 11.40   | 6.35    | 10.20   | 46  | YES    |
| 90814-**-04 | 4              | 8.86    | 3.81    | 7.66    | 60  | YES    |
| PART NO.    | NUMBER OF CKTS | DIMN. A | DIMN. B | DIMN. C | QUANTITY OF PARTS PER TUBE (-*0**/-*3**/-*6** & -*8** VERSIONS) | TOOLED |

THIS DRAWING CONTAINS INFORMATION THAT IS PROPRIETARY TO MOLEX ELECTRONIC TECHNOLOGIES, LLC AND SHOULD NOT BE USED WITHOUT WRITTEN PERMISSION

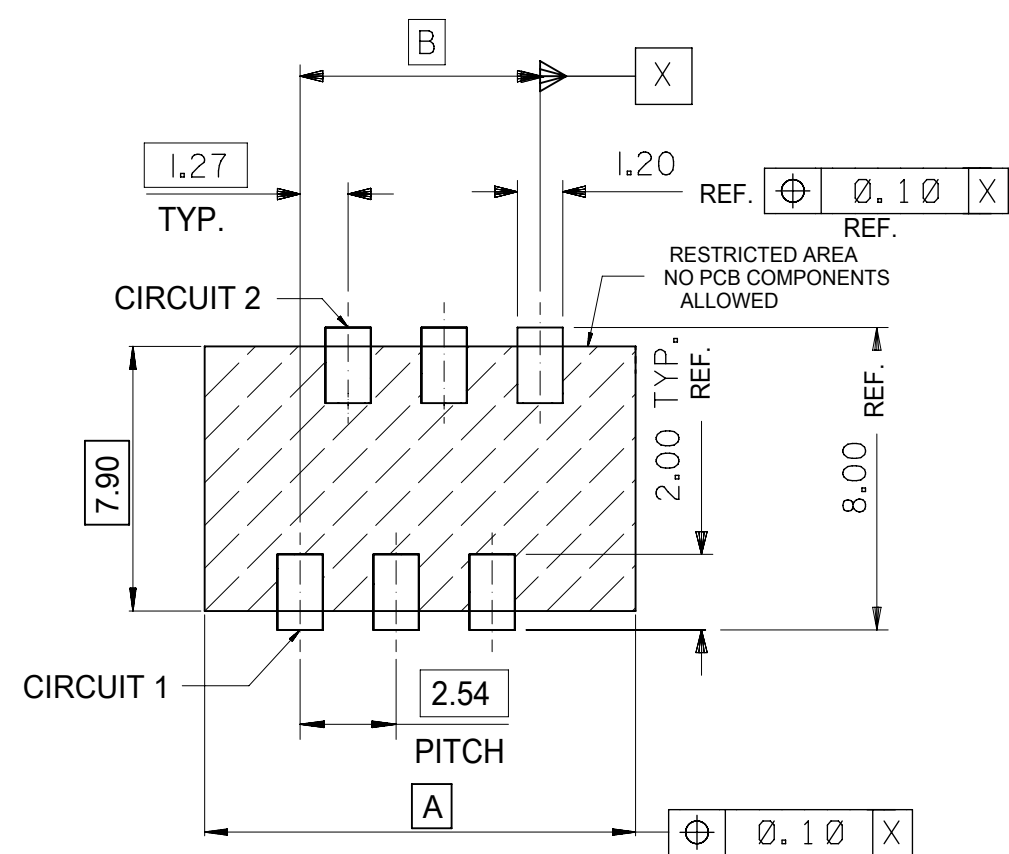
|  |        |                        |            |                          |                 |
|--|--------|------------------------|------------|--------------------------|-----------------|
| DIMENSION UNITS                                      | SCALE  | CURRENT REV DESC:      |            |                          |                 |
| mm   | 5:1    |                        |            |                          |                 |
| GENERAL TOLERANCES (UNLESS SPECIFIED)                |        | EC NO: 738955          |            |                          |                 |
| ANGULAR TOL  | ± 0.5° | DRWN: GOWTHP           | 2023/02/02 |                          |                 |
| 4 PLACES   | ±      | CHK'D: GOWTHP          | 2023/02/16 |                          |                 |
| 3 PLACES   | ±      | APPR: ISHWARG          | 2023/02/20 |                          |                 |
| 2 PLACES   | ± 0.1  | INITIAL REVISION:      |            | PRODUCT CUSTOMER DRAWING |                 |
| 1 PLACE  | ±      | DRWN: DMCNAMAR         | 2001/08/16 | DOCUMENT NUMBER          | DOC TYPE        |
| 0 PLACES   | ±      | APPR: EFOLEN           | 2010/11/04 | SDA-90814                | PSD             |
| DRAFT WHERE APPLICABLE MUST REMAIN WITHIN DIMENSIONS |        | THIRD ANGLE PROJECTION | DRAWING    | SERIES                   | MATERIAL NUMBER |
|  |        |                        | A2-SIZE    | 90814                    | SEE CHART       |
|  |        |                        |            |                          | CUSTOMER        |
|  |        |                        |            |                          | GENERAL MARKET  |
|  |        |                        |            |                          | SHEET NUMBER    |
|  |        |                        |            |                          | 1 OF 2          |



RECOMMENDED P.C.B. THICKNESS 1.60±0.14  
 PCB LAYOUT FOR TRANSITION FIT WITH PCB PEGS  
 HEADER VERSIONS 90814-xx0xx/-x2xx/-x8xx/-x9xx,  
 VIEWED FROM COMPONENT SIDE



RECOMMENDED P.C.B. THICKNESS 1.60±0.14  
 PCB LAYOUT FOR CLEARANCE FIT WITH PCB PEGS  
 HEADER VERSIONS 90814-xx0xx/-x2xx/-x8xx/-x9xx,  
 VIEWED FROM COMPONENT SIDE



PCB LAYOUT FOR HEADERS WITHOUT PCB PEGS  
 HEADER VERSIONS 90814-xx3xx/-x5xx/-x6xx/-x7xx,  
 VIEWED FROM COMPONENT SIDE

|            |                |         |         |         |
|------------|----------------|---------|---------|---------|
| 90814-xx26 | 26             | 36.80   | 31.75   | 35.60   |
| 90814-xx24 | 24             | 34.26   | 29.21   | 33.06   |
| 90814-xx22 | 22             | 31.72   | 26.67   | 30.52   |
| 90814-xx20 | 20             | 29.18   | 24.13   | 27.98   |
| 90814-xx18 | 18             | 26.64   | 21.59   | 25.44   |
| 90814-xx16 | 16             | 24.10   | 19.05   | 22.90   |
| 90814-xx14 | 14             | 21.56   | 16.51   | 20.36   |
| 90814-xx12 | 12             | 19.02   | 13.97   | 17.82   |
| 90814-xx10 | 10             | 16.48   | 11.43   | 15.28   |
| 90814-xx08 | 8              | 13.94   | 8.89    | 12.74   |
| 90814-xx06 | 6              | 11.40   | 6.35    | 10.20   |
| 90814-xx04 | 4              | 8.86    | 3.81    | 7.66    |
| PART NO.   | NUMBER OF CKTS | DIMN. A | DIMN. B | DIMN. C |

THIS DRAWING CONTAINS INFORMATION THAT IS PROPRIETARY TO MOLEX ELECTRONIC TECHNOLOGIES, LLC AND SHOULD NOT BE USED WITHOUT WRITTEN PERMISSION

|  |        |                        |                |   |
|--|--------|------------------------|----------------|---|
| DIMENSION UNITS                                      | SCALE  | CURRENT REV DESC:      |                |   |
| mm   | 5:1    |                        |                |   |
| GENERAL TOLERANCES (UNLESS SPECIFIED)                |        | EC NO: 738955          |                |   |
| ANGULAR TOL  | ± 0.5° | DRWN: GOWTHP           | 2023/02/02     |   |
| 4 PLACES   | ±      | CHK'D: GOWTHP          | 2023/02/16     |   |
| 3 PLACES   | ±      | APPR: ISHWARG          | 2023/02/20     | PICOFLEX SMT HEADER<br>PRODUCT CUSTOMER DRAWING |
| 2 PLACES   | ± 0.1  | INITIAL REVISION:      |                |   |
| 1 PLACE  | ±      | DRWN: DMCNAMAR         | 2001/08/16     | DOCUMENT NUMBER                                 |
| 0 PLACES   | ±      | APPR: EFOLEN           | 2010/11/04     | SDA-90814                                       |
| DRAFT WHERE APPLICABLE MUST REMAIN WITHIN DIMENSIONS |        | THIRD ANGLE PROJECTION | DRAWING        | DOC TYPE  |
|  |        |                        | A2-SIZE        | PSD   |
|  |        | SERIES                 | 90814          | DOC PART  |
|  |        | MATERIAL NUMBER        | SEE CHART      | 001   |
|  |        | CUSTOMER               | GENERAL MARKET | REVISION  |
|  |        |                        |                | AE1   |
|  |        | SHEET NUMBER           |                | 2 OF 2  |