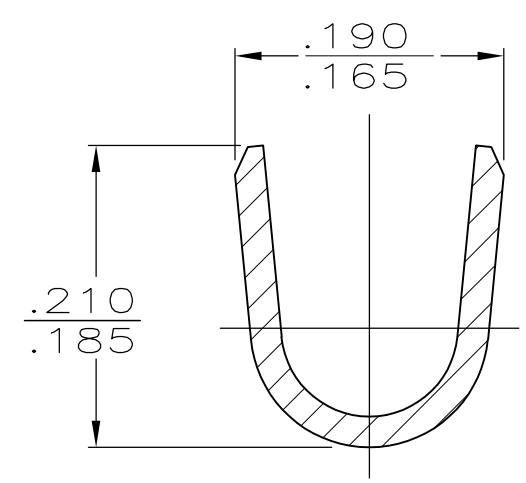
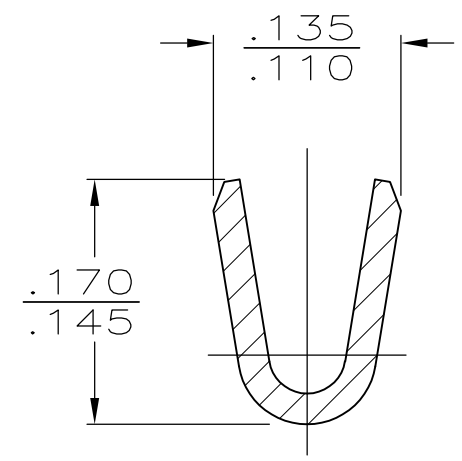
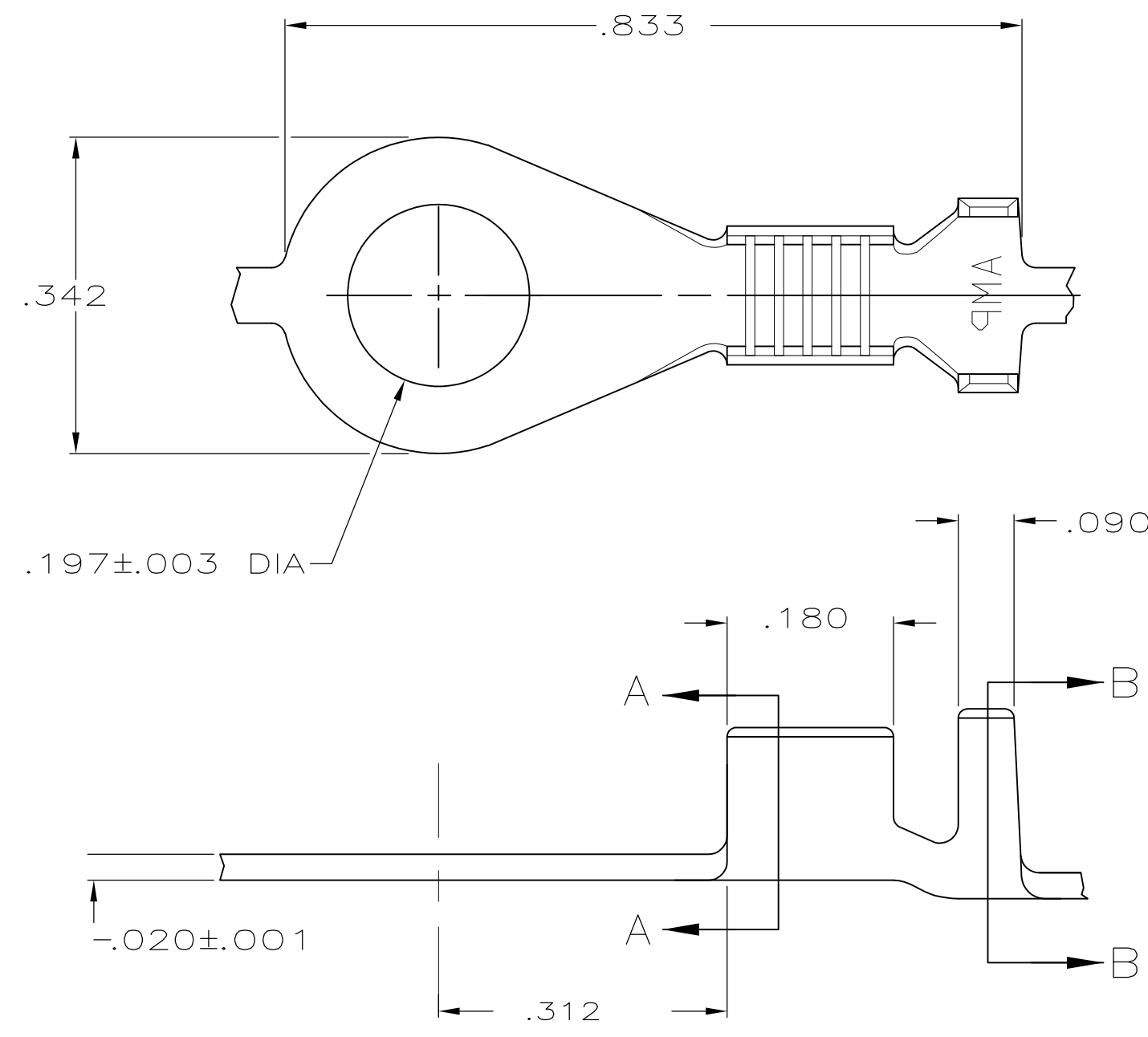


THIS DRAWING IS UNPUBLISHED. RELEASED FOR PUBLICATION
 © COPYRIGHT By TYCO ELECTRONICS CORPORATION. ALL RIGHTS RESERVED.

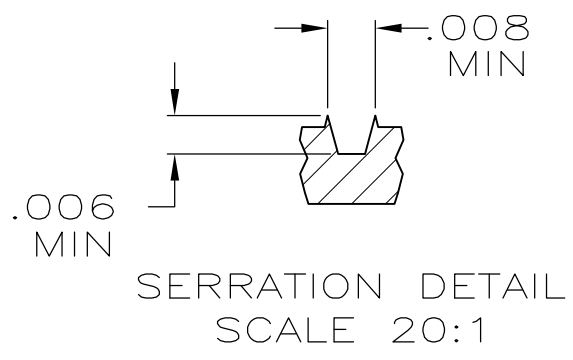
LOC	DIST	REVISIONS			
P	LTR	DESCRIPTION	DATE	DWN	APVD
AF	50	L	REVISE PER ECR-13-013738	15FEB2014	GRZ JL



SECTION A-A
SCALE 8:1

SECTION B-B
SCALE 8:1

OBSOLETE	TIN PL	.100-.140	18-14	60318-2
		.100-.140	18-14	60318-1
	FINISH	INSULATION RANGE	MAGNET WIRE SIZE	PART NUMBER



THIS DRAWING IS A CONTROLLED DOCUMENT.

DIMENSIONS: INCHES	TOLERANCES UNLESS OTHERWISE SPECIFIED:
	0 PLC ± -
	1 PLC ± -
	2 PLC ± -
	3 PLC ± .015
	4 PLC ± -
	ANGLES ± -
MATERIAL BRASS	FINISH SEE TABLE

DWN P FORTNEY 12/24/87	TE Connectivity NAME RING,AMPLIVAR			RESTRICTED TO -	
CHK G YETTER 1/6/88					
APVD RP FRANTZ 1/7/88					
PRODUCT SPEC TL SHUTTER 1/12/88					
APPLICATION SPEC -	SIZE A3	CAGE CODE 00779	DRAWING NO C-60318		
WEIGHT -	CUSTOMER DRAWING		SCALE 6:1	SHEET 1 OF 1	REV L