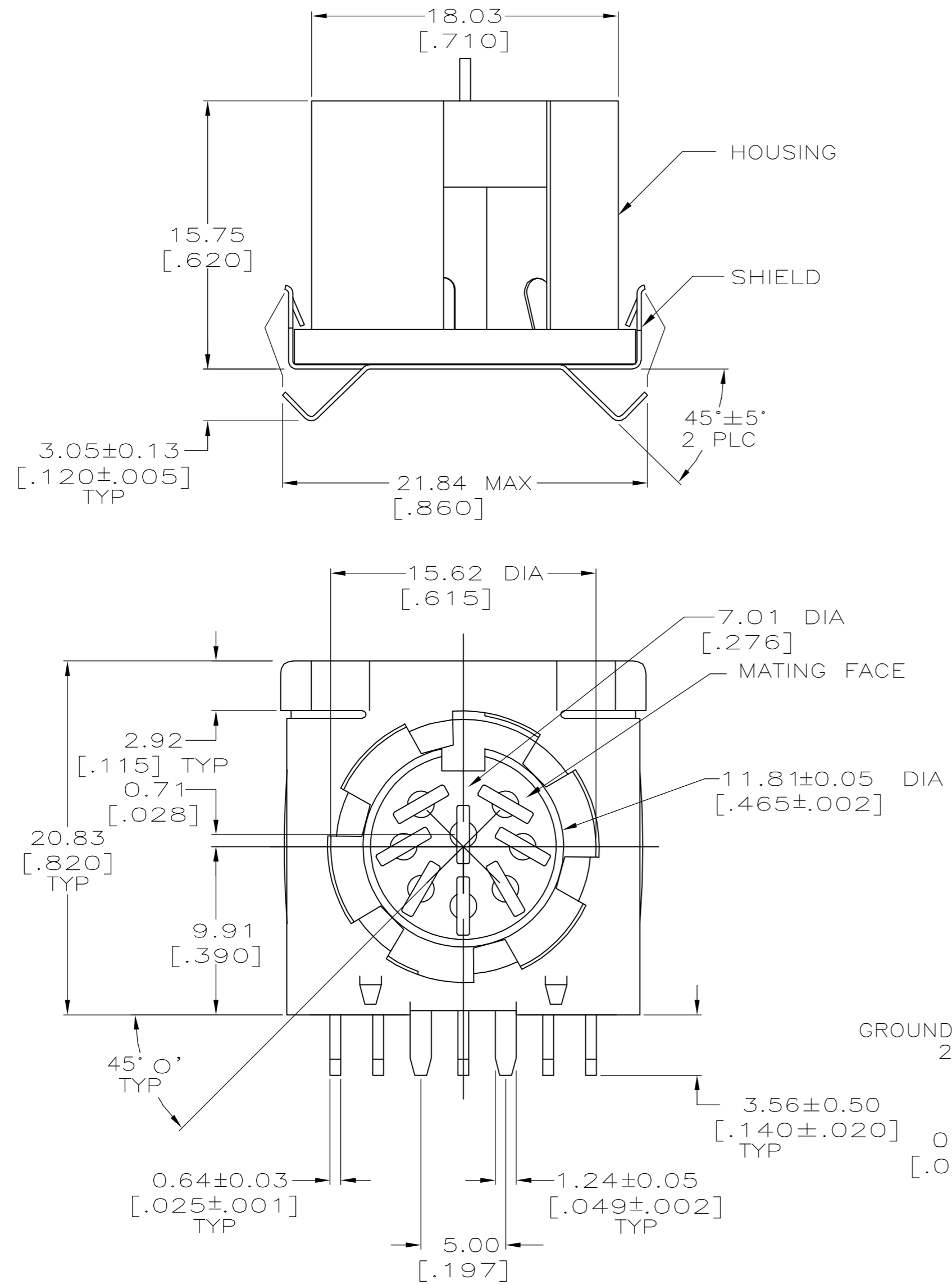
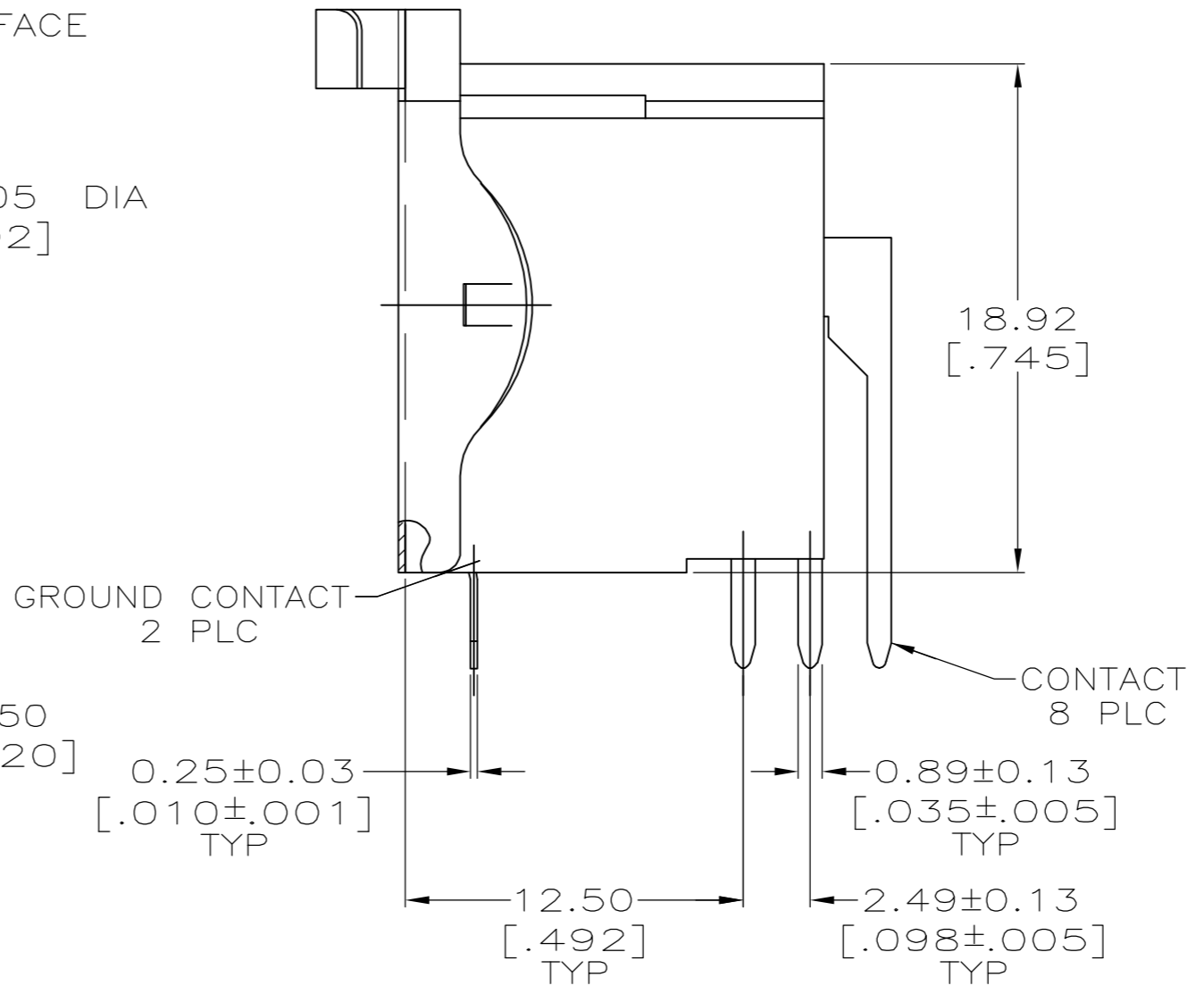


THIS DRAWING IS UNPUBLISHED. RELEASED FOR PUBLICATION
 © COPYRIGHT BY TYCO ELECTRONICS CORPORATION. ALL RIGHTS RESERVED.

LOC		DIST		REVISIONS			
P	LTR	DESCRIPTION	DATE	DWN	APVD		
GP	00	A1	REVISED PER ECO-07-008008	10APR07	JDP	CWR	



- ① HOUSING: NYLON, UL 94V-0 RATED, BLACK.
- ② CONTACTS:
 2.54μm [.000100] MIN TIN-LEAD OVER 1.27μm [.000050] MIN NICKEL.
 2.54μm [.000100] MIN TIN OVER 1.27μm [.000050] MIN NICKEL.



787013-1
 PART NUMBER

THIS DRAWING IS A CONTROLLED DOCUMENT.		DWN	CHAD BAKER	08/17/93	 Tyco Electronics Corporation Harrisburg, PA 17105-3608
DIMENSIONS: mm [INCHES]		CHK	R. STONE	08/18/93	
TOLERANCES UNLESS OTHERWISE SPECIFIED:		APVD	-	-	
0 PLC ± - 1 PLC ± - 2 PLC ± 0.13 [.005] 3 PLC ± - 4 PLC ± - ANGLES ± - FINISH		PRODUCT SPEC	108-10047	APPLICATION SPEC	
MATERIAL	①	WEIGHT	-	SCALE	4:1
		CUSTOMER DRAWING		SIZE	A2
				CAGE CODE	00779
				DRAWING NO	C=787013
				RESTRICTED TO	-
				SHEET	1 of 1
				REV	A1