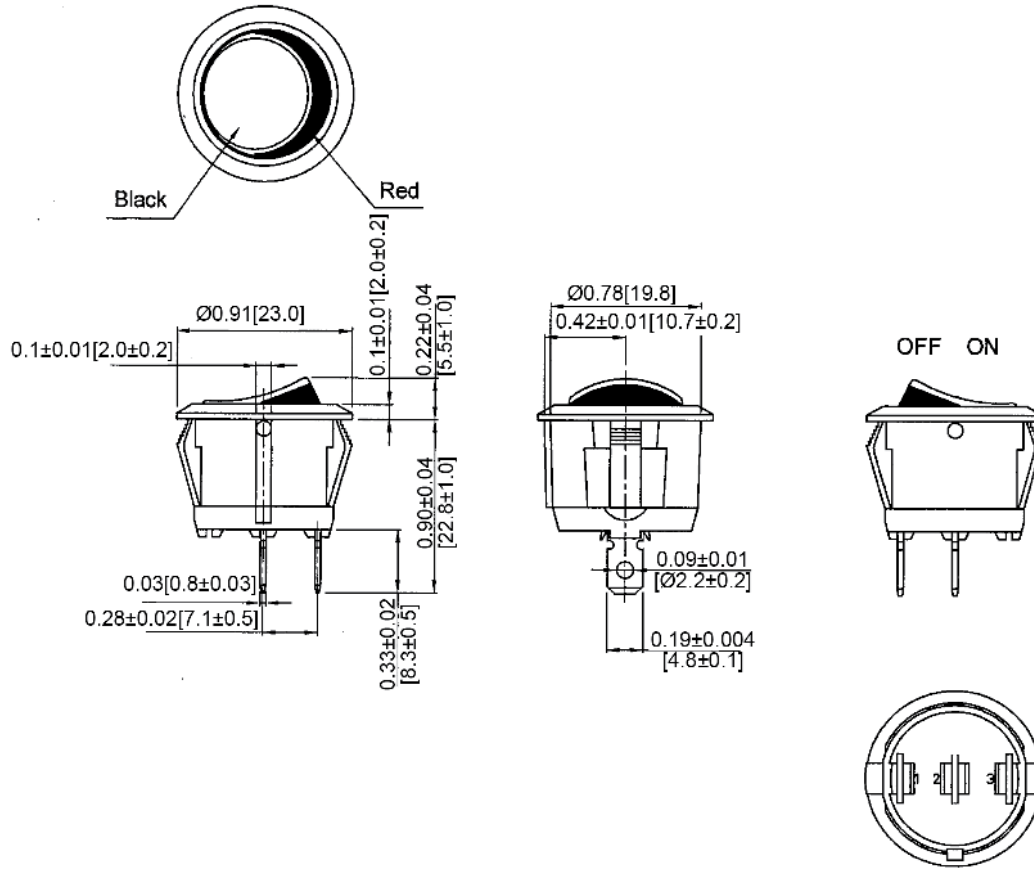
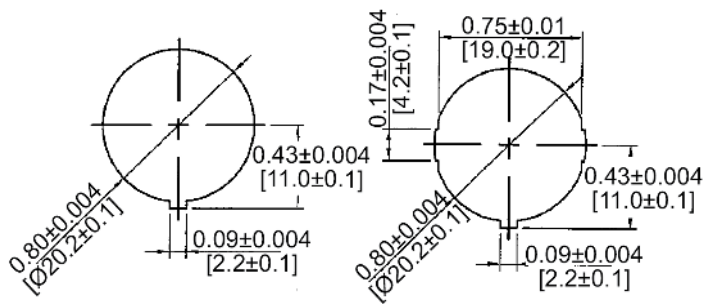


## Mechanical Dimensions: Inches [mm]

Tolerances  $\pm 0.012$  [0.3] Unless Otherwise Specified



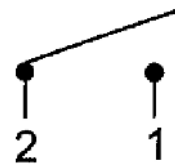
## Mounting Hole



Thickness: 0.1~0.12 [2.0~3.0] | 0.03~0.12 [0.7~3.0]

## Circuit Diagram

2P SPST OFF-ON



## Electrical Specifications

<b>Rating</b>	16A 125V AC, 10A 250V AC 10(4)A 125/250V AC
<b>Contact Resistance</b>	50m ohm Max
<b>Insulation Resistance</b>	DC 500V 100M ohm Min
<b>Dielectric Strength</b>	AC 1500V 1 minute
<b>Operation Temperature</b>	-25°C~85°C

## Material Specifications

<b>Frame</b>	Black, Nylon 66 (94-V2)
<b>Actuator</b>	Black/Red, Nylon 66 (94-V2)
<b>Terminals</b>	Silver Plated, Copper Alloy

Rev	Date of issue	Revision Notes	Designed	Approved
B	11-30-2021	Initial Drawing	RC	OF