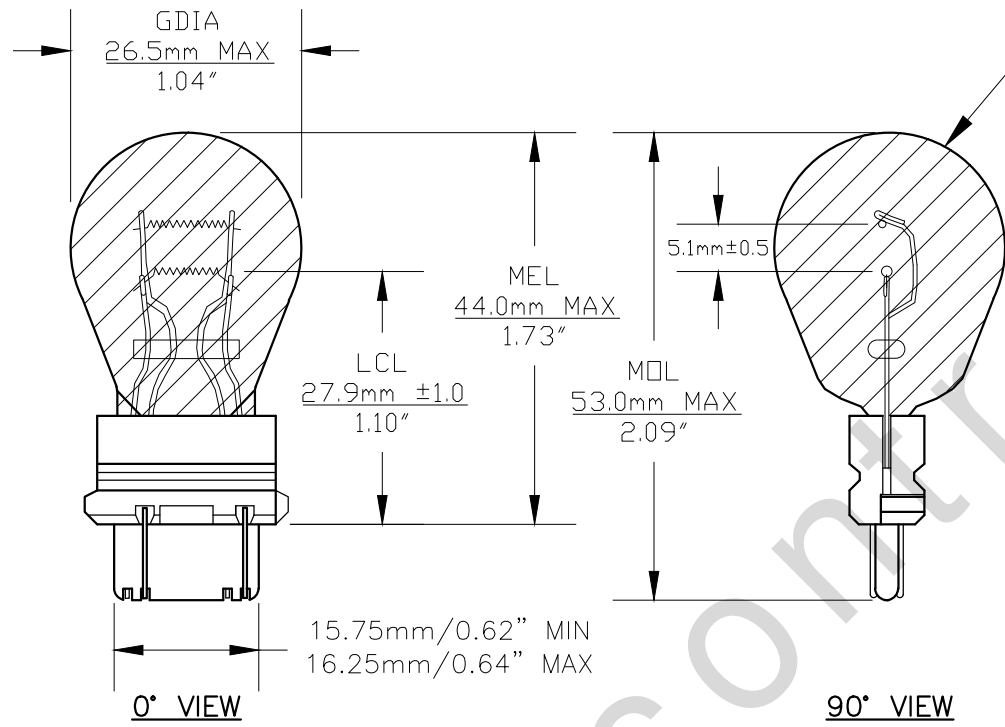


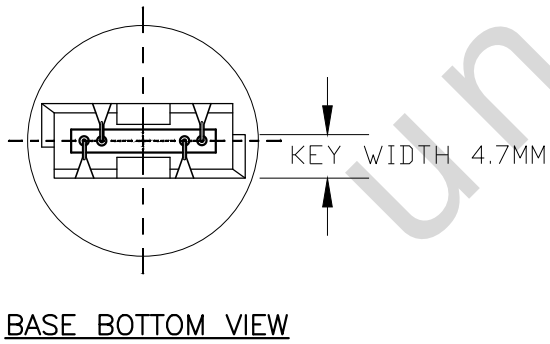
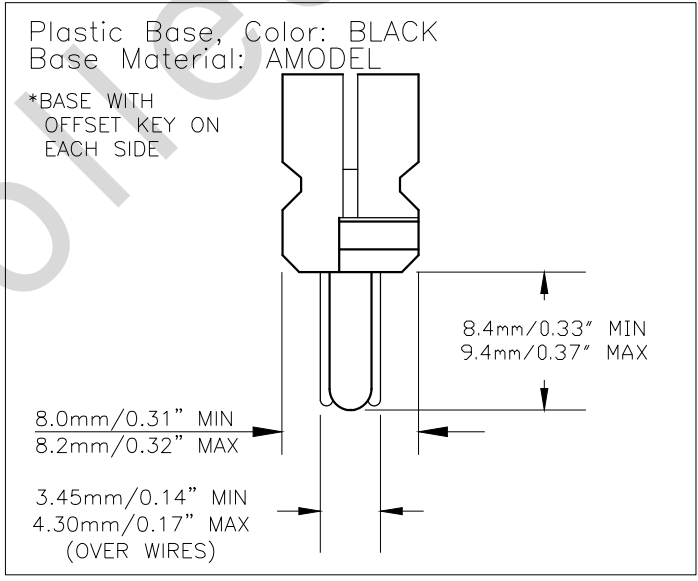


PART NO.	BASE TYPE	DESIGN VOLTS	DESIGN AMPS	MSCD	FILAMENT TYPE	AVERAGE LIFE HOURS
3757NALL	D.F. Plastic Wedge WX2.5X16q	12.8V 14.0V	2.1 ±5% 0.59 ±8%	24±30% 2.2±30%	C-6 C-6	2000 10000

REVISIONS			
REV #	DESCRIPTION	DATE	APPROVED
1	ISSUED	03/23/2009	D.C.
2	ADDED FILAMENT DISTANCE DIMENSIONS	10/04/2018	R.M.
3	ADDED BASE MATERIAL	03/05/2020	R.M.



S-8 BULB SHAPE
Natural Amber Glass



Note: Made according to SAE specifications



UNLESS OTHERWISE SPECIFIED: DIMENSIONS ARE IN INCHES TOLERANCES		CEC INDUSTRIES LTD	
DECIMALS	ANGULAR	599 BOND STREET LINCOLNSHIRE, IL 60069	
.XX ± .05	± 0.5°		
.XXX ± .010			
FRACTIONAL	± 1/64		
DRAWN D. C.	DATE 03/23/2009	TITLE LIGHT BULB NO. 3757NALL	
CHECKED	SIZE A	FSCM NO.	DWG NO. 3757NALL
DESIGN	SCALE	PLOT SCALE	REV 3
MATERIAL	FILE 3757NALL.pdf	SHEET 1 OF 1	
		DRAWING NOT TO SCALE	