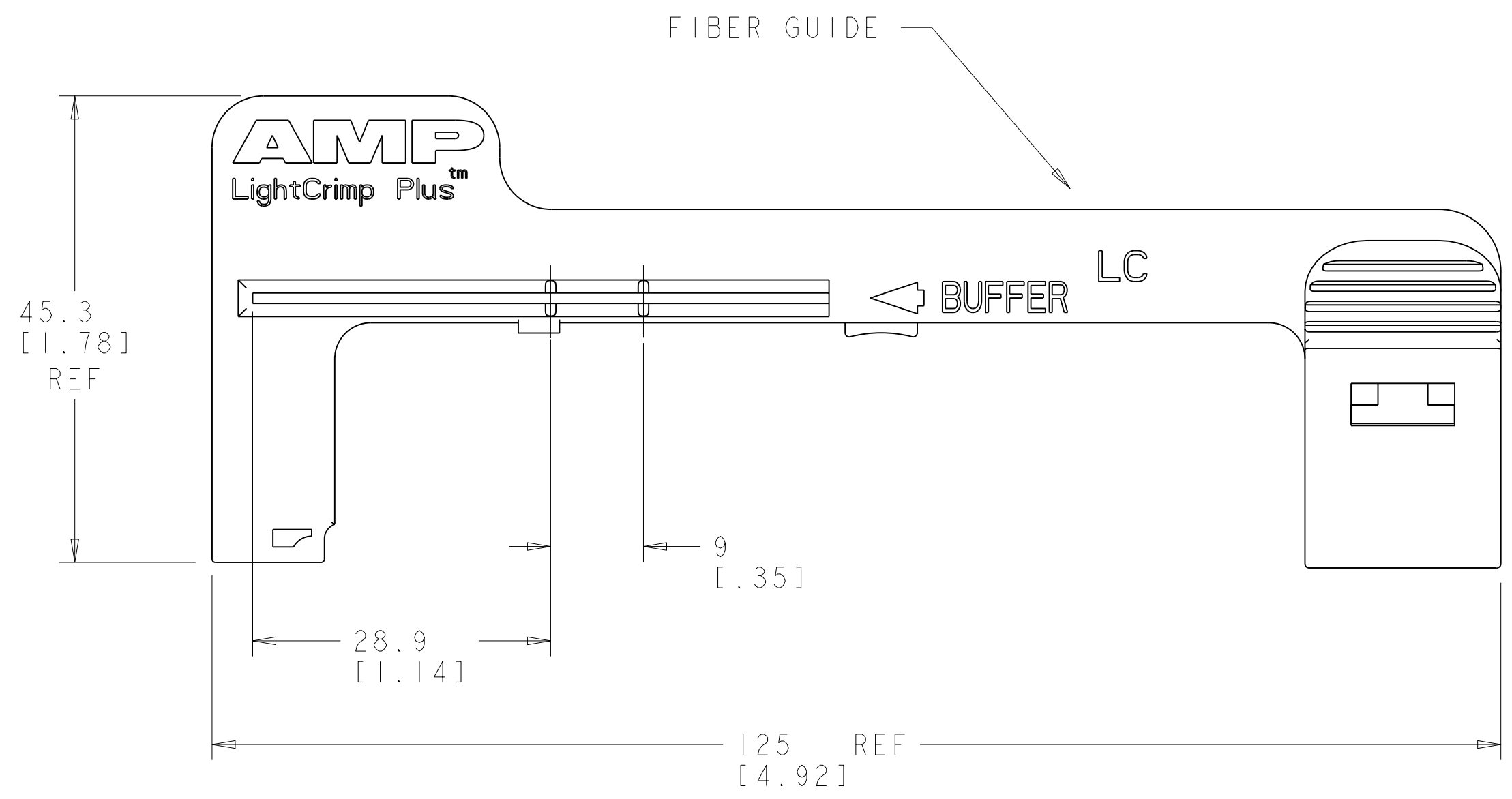
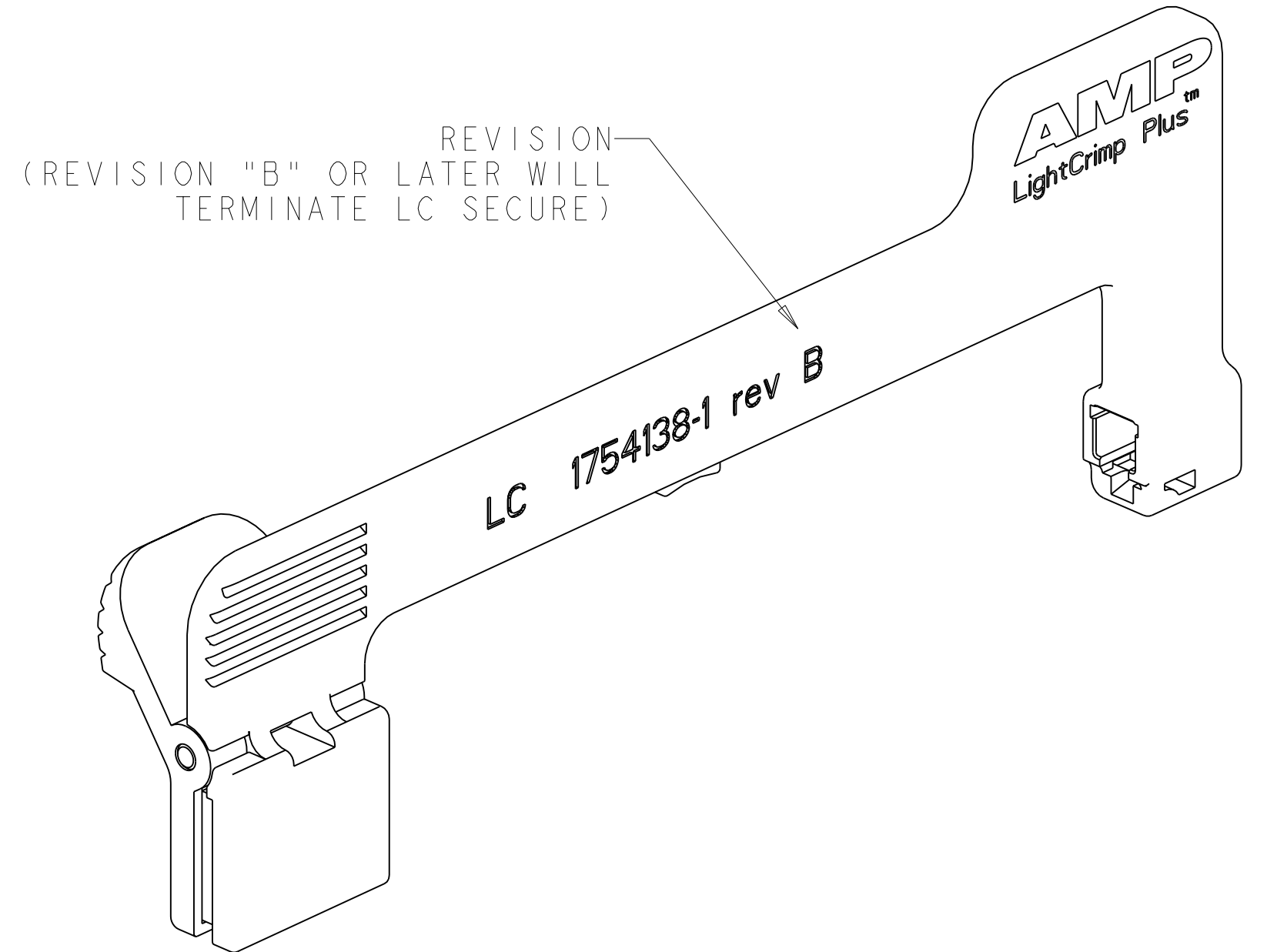


THIS DRAWING IS UNPUBLISHED. RELEASED FOR PUBLICATION 20
 © COPYRIGHT 20 BY TYCO ELECTRONICS CORPORATION. ALL RIGHTS RESERVED.

LOC		DIST		REVISIONS			
P	LTR	DESCRIPTION	DATE	DWN	APVD		
CE	00	B	REV PER ECR 05-017304	12JAN2006	DDE	MG	



1754138-1
 PART NO

⚠ HANDLE AND ARM: POLYCARBONATE, COLOR: BLACK
 PADS: URETHANE
 SPRING AND PIN: SST

<small>THIS DRAWING IS A CONTROLLED DOCUMENT FOR TYCO ELECTRONICS CORPORATION IT IS SUBJECT TO CHANGE AND THE CONTROLLING ENGINEERING ORGANIZATION SHOULD BE CONTACTED FOR THE LATEST REVISION.</small>		DWN D ERDMAN 12FEB2004	tyco Tyco Electronics Harrisburg, PA 17105-3608	
DIMENSIONS: mm [INCHES]		CHK M GURRERI 12FEB2004	NAME ASSEMBLY, CABLE/BUFFER HOLDER W/ FIBERGUIDE, LightCrimp Plus LC	
TOLERANCES UNLESS OTHERWISE SPECIFIED: 0 PLC ± 1 PLC ±0.5 2 PLC ± 3 PLC ± 4 PLC ± ANGLES ± FINISH		APVD S BUCHTER 12FEB2004	SIZE A2	
MATERIAL ⚠ -		PRODUCT SPEC -	CAGE CODE 00779	DRAWING NO C=1754138
CUSTOMER DRAWING		APPLICATION SPEC -	RESTRICTED TO -	SCALE 2:1
		WEIGHT -	SHEET 1	OF 1
			REV B	