

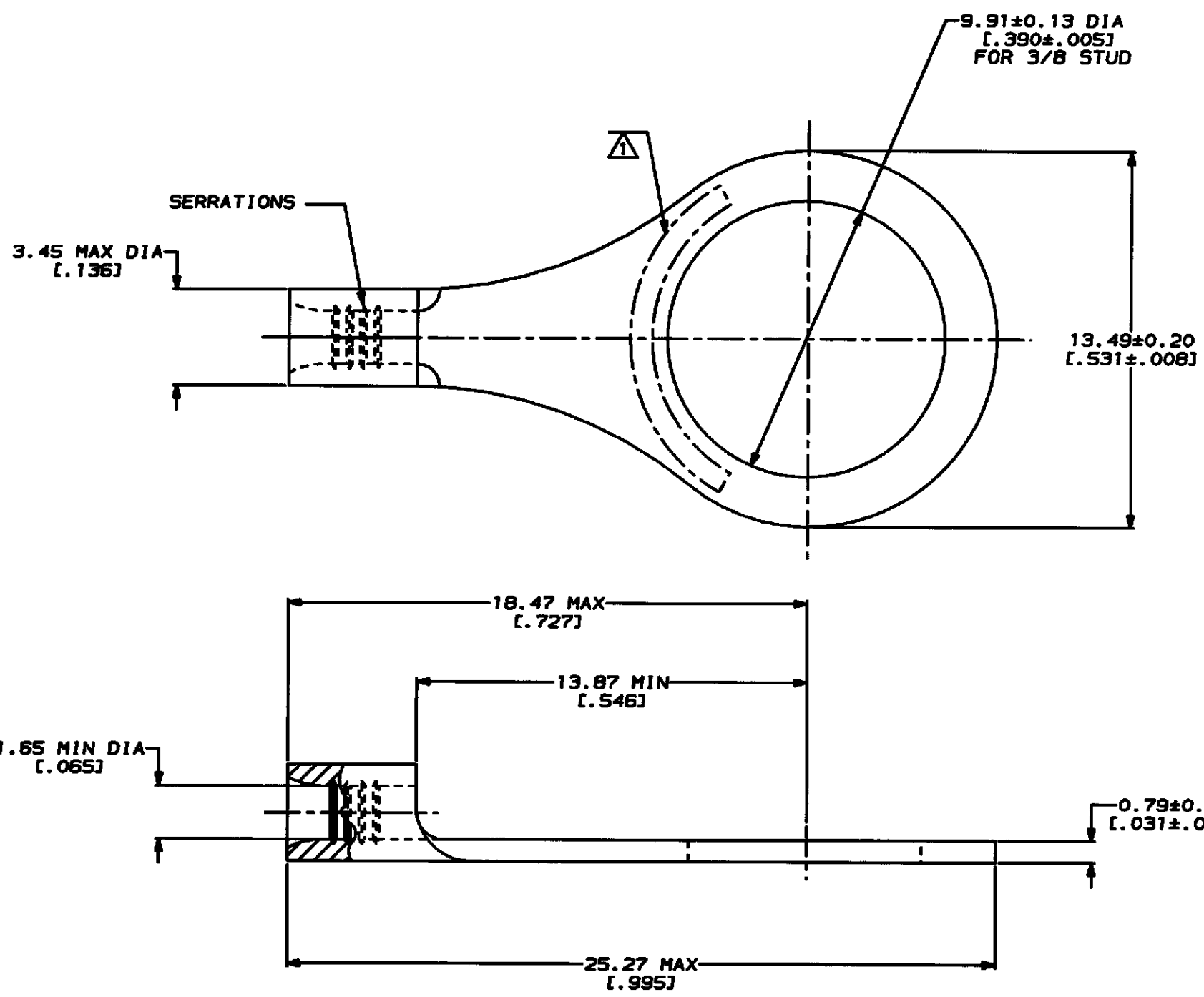
THIS DRAWING IS UNPUBLISHED. RELEASED FOR PUBLICATION .18
 COPYRIGHT 19 BY AMP INCORPORATED. ALL INTERNATIONAL RIGHTS RESERVED.

| LOC | QTY | ZONE | LTR | REVISIONS | DATE | APP |
|-----|-----|------|-----|--------------------------|---------|-----|
| G | 14 | | A | REVISED PER 0720-0230-93 | 3/25/94 | DAP |

METRIC
 DIMENSIONS LISTED IN mm [INCHES]

| | |
|--------------------------|---------------------------|
| AMP WIRE RANGE | E13288 Listed |
| 22-16 AWG STRANDED | 22-16 AWG STRANDED |
| LR7189 Certified | MILITARY P/N AND CLASS |
| NOT CERTIFIED | NOT APPLICABLE |

⚠ STAMP AMP 22-18* APPROX AS SHOWN
 22-16 TERMINALS ARE STAMPED 22-18 IN
 ACCORDANCE WITH MILITARY SPECIFICATION
 MIL-T-7928, COMMERCIAL WIRE RANGE IS 22-16



| | | | | | | | | | |
|--|--|---|--|--|--|---|--|---|--|
| AMP INCORPORATED CUSTOMER SERVICE SYSTEMS | | MAX RECOMMENDED OPERATING TEMPERATURE: 170°C MAX | | DO NOT SCALE PRINT. UNLESS SPECIFIED DIMENSIONS IN mm [INCHES] TOLERANCES ON: 2 PLC DEC ± - 3 PLC DEC ± - ANGLES ± - | | DR 2-4-93 TA BRINKMAN CHK 2-4-93 DA PATTERSON APPD 2-4-93 DE MILLER APPD 2-4-93 JL HECKLEY PRODUCT SPEC | | 31498 PART NO | |
| FOR ADDITIONAL PRODUCT INFORMATION OR COPIES OF DRAWINGS AND TECHNICAL DOCUMENTS | | PRODUCT INFORMATION CENTER 1-800-522-6752 | | VOLTAGE RATING: NOT APPLICABLE | | COPPER PER ASTM B-152 ANNEALED | | AMP Incorporated Harrisburg, PA 17105-3608 | |
| FOR APPLICATION TOOLING INFORMATION | | TOOLING ASSISTANCE CENTER 1-800-722-1111 | | WIRE CROSS SECTIONAL AREA RANGE: 0.26-1.65mm² [509-3,260] CIR MILS STRANDED | | FINISH TIN PLATE 0.00254 [.000100] MIN THK PER MIL-T-10727 | | NAME TERMINAL, RING TONGUE, BUDGET | |
| FOR ORDER ENTRY | | 1-800-526-5142 | | THIS DRAWING IS A CONTROLLED DOCUMENT AND THE SPECIFICATIONS FOR THE LATEST REVISION SHOULD BE OBSERVED FOR THE LATEST REVISION. | | APPLICATION SPEC | | DRAWING NO C-31498 | |
| | | | | | | SIZE C | | CAGE CODE 00779 | |
| | | | | | | SCALE 8:1 | | SHEET 1 OF 1 | |

CUSTOMER DRAWING

31498

A