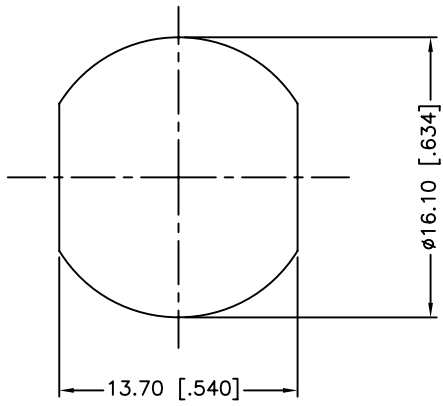
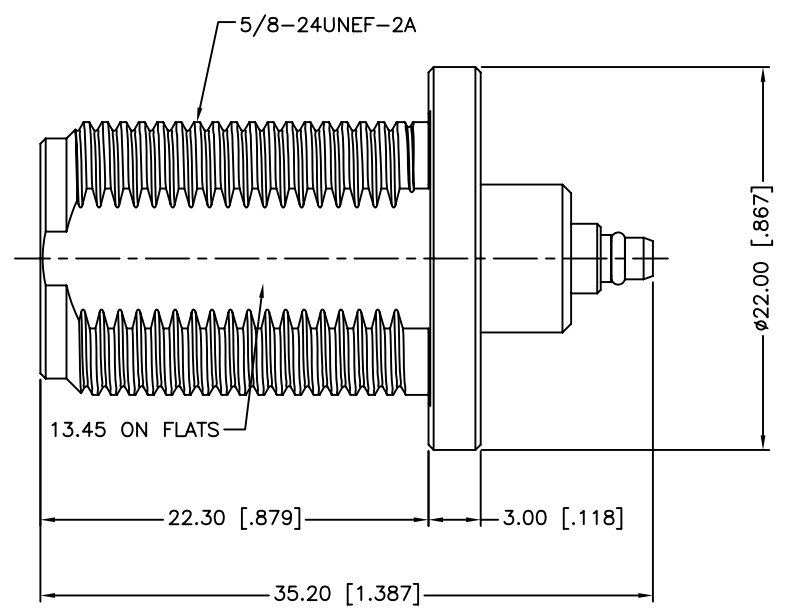
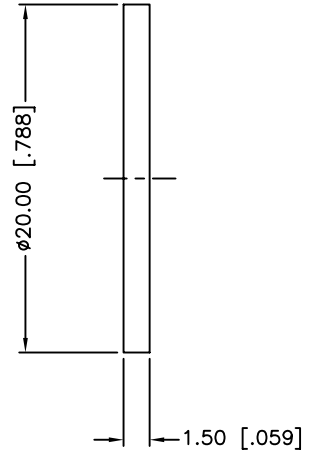
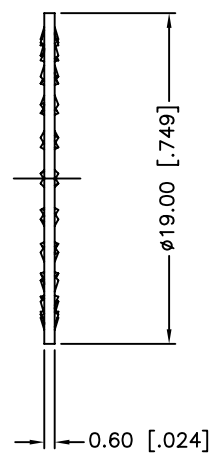
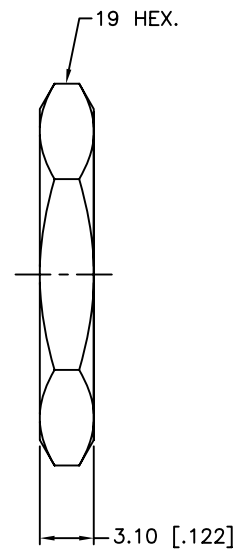


| REV. | DATE | ECR NO. | DESCRIPTION |
|------|----------|---------|-----------------|
| NC | 10/12/10 | XXXXXX | INITIAL RELEASE |



RECOMMENDED MOUNTING HOLE



1. FREQUENCY RANGE: DC 0-6 GHz
2. VSWR (RETURN LOSS): 1.22 (20 dB) MAX.
3. MAX. PANEL THICKNESS= 6.8mm

| QTY | DESCRIPTION | MATERIAL | FINISH |
|-----|---------------|-------------|---------|
| 1 | HEX NUT | BRASS | NICKEL |
| 1 | LOCK WASHER | BRASS | NICKEL |
| 1 | GASKET | SILICONE | RED |
| 1 | CONTACT PIN | BER. COPPER | GOLD |
| 1 | HOUSING | BRASS | NICKEL |
| 1 | INSULATOR | PTFE | NATURAL |
| 1 | INSULATOR | PTFE | NATURAL |
| 1 | BODY | BRASS | GOLD |
| 1 | RETAINER RING | BER. COPPER | GOLD |

UNLESS OTHERWISE SPECIFIED DIMENSIONS ARE IN MILLIMETERS. DIMENSIONS IN [] ARE IN INCHES AND FOR CUSTOMER REFERENCE ONLY.

UNLESS OTHERWISE SPECIFIED TOLERANCES FOR MILLIMETERS ARE:
0.5 - 8mm ± 0.20mm
8 - 30mm ± 0.40mm
30 - 120mm ± 0.50mm

UNLESS OTHERWISE SPECIFIED TOLERANCES FOR INCHES ARE:
.020 - .315 = ± 0.007"
.315 - 1.180 = ± 0.015"
1.180 - 4.724 = ± 0.020"

DO NOT SCALE DRAWING

| APPROVALS | DATE |
|-------------------------------|----------|
| DRAWN M.ZHANG | 10/12/10 |
| CHECKED | |
| ISSUED | |
| SHEET 1 OF 1 | |
| CAD FILE C:/CONNEX/242249.DWG | |

Amphenol Connex

PART DESCRIPTION
N BULKHEAD JACK TO MMCX PLUG ADAPTOR

PART NO.
242249

DWG. NO. 242249.DWG REV. NC SIZE A SCALE NA