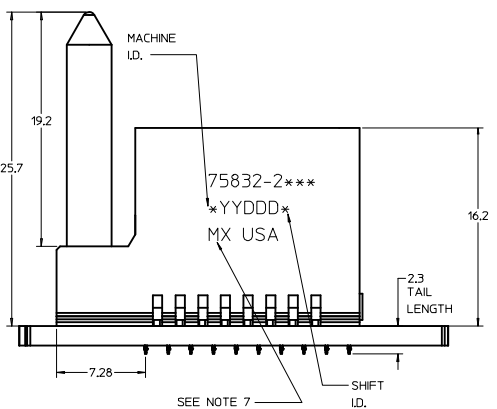
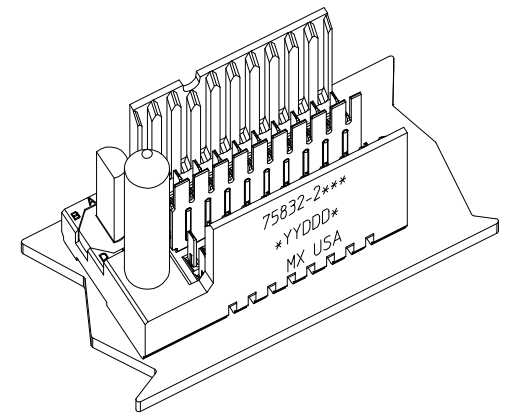
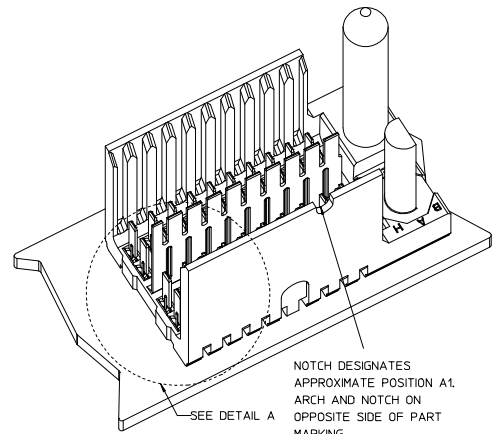
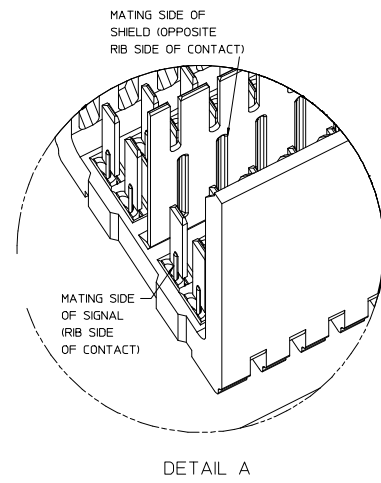
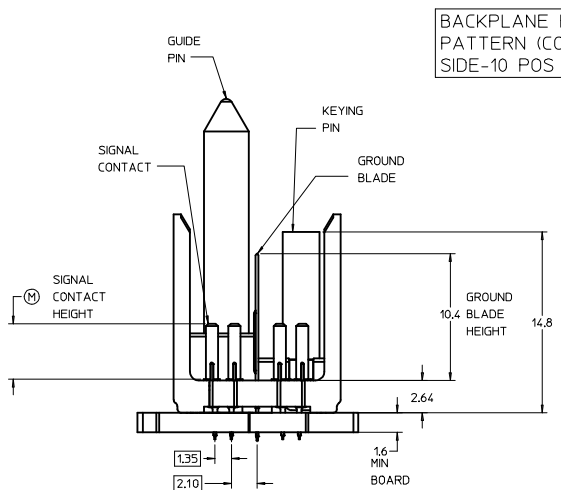


ROW AG & EG RECOMMENDED FOR ALL APPLICATIONS. THESE ROWS SHOULD BE CONNECTED TO GROUND.



PART NUMBER TABLE				
ASSY PART NO.	K	L	P	TOTAL NO. OF DIFFERENTIAL PAIRS
75832-21**	9	16,65	24,78	20
75832-22**	24	44,40	52,53	50



- NOTES:**
- MATERIAL: HOUSING - LIQUID CRYSTAL POLYMER (LCP) GLASS-FILLED, UL 94V-0, COLOR - gray, SIGNAL CONTACT AND GROUND BLADE - HIGH PERFORMANCE COPPER ALLOY.
 - FINISHES: SELECTIVE GOLD (Au) ON CONTACT AREA, SELECTIVE MATTE TIN (Sn) ON PCB TAILS, NICKEL (Ni) OVERALL.
 - THIS PART CONFORMS TO MOLEX PRODUCT SPECIFICATION PS-75221-999.
 - FOR MIXED CONTACT MATING LENGTHS CONSULT MOLEX FOR AVAILABILITY. CONTACT PAIRS MUST BE THE SAME LENGTH.
 - FOR SPECIFIC PART NUMBER AND MATING INFORMATION PLEASE REFER TO CHART.
 - PACKAGE PER PK-70873-5058.
 - EITHER MARK PART NUMBER AND DATE CODE APPROXIMATELY WHERE SHOWN OR PLACE A LABEL ON THE TUBE.
 - OPTIONAL HOLE LOCATION FOR GROUNDED GUIDE PIN OR ADDITIONAL GUIDE PIN SUPPORT, FOR GROUNDED GUIDE, HOLE TO BE PLATED, DRILL SIZE $\phi 2.58$, PAD SIZE $\phi 5.50$.
 - THESE PARTS CONFORM TO MOLEX COSMETIC SPECIFICATION PS-45499-002 CLASS B.
 - MAPS (MOLEX ADVANCED PLATING SYSTEM).

75832-2 ***

MODULE ORIENTATION LEFT = 2

PIN LENGTH DIM "M"	GOLD (Au) THICKNESS micrometers
0-3.55 mm	0.25 (MAPS)
1-4.55 mm	
2-5.55 mm	0.76
3-3.55 mm	
4-4.55 mm	
5-5.55 mm	
7-3.55 mm	
8-4.55 mm	1.27
9-5.55 mm	

COLUMNS
1-10 COL
2-25 COL

KEYING ORIENTATION
0 = NONE
1 = A
2 = B
ETC..

P/N	---*0*	---*1*	---*2*	---*3*	---*4*	---*5*	---*6*	---*7*	---*8*
75832-()	D	A	B	C	D	E	F	G	H
KEYING PIN ORIENTATION									

LEAD-FREE PLATING ON SIGNALS, & GROUNDS.

ADD MAPS EC NO: UCP2013-5239 DRAWN BY: DRWNSVANG01 CHECKED BY: CHKD/MOLEX APPROVED BY: APPRS/SILLER DATE: 2013/06/06 DATE: 2014/02/03	QUALITY SYMBOLS $\nabla=0$ $\nabla=0$ $\nabla=0$	GENERAL TOLERANCES (UNLESS SPECIFIED) <table border="1"> <thead> <tr> <th></th> <th>mm</th> <th>INCH</th> </tr> </thead> <tbody> <tr> <td>4 PLACES ±</td> <td>---</td> <td>---</td> </tr> <tr> <td>3 PLACES ±</td> <td>---</td> <td>---</td> </tr> <tr> <td>2 PLACES ±</td> <td>0.13</td> <td>---</td> </tr> <tr> <td>1 PLACE ±</td> <td>0.25</td> <td>---</td> </tr> <tr> <td>0 PLACE ±</td> <td>---</td> <td>---</td> </tr> </tbody> </table>		mm	INCH	4 PLACES ±	---	---	3 PLACES ±	---	---	2 PLACES ±	0.13	---	1 PLACE ±	0.25	---	0 PLACE ±	---	---	DIMENSION STYLE MM ONLY	SCALE DESIGN UNITS METRIC	THIRD ANGLE PROJECTION
		mm	INCH																				
	4 PLACES ±	---	---																				
	3 PLACES ±	---	---																				
2 PLACES ±	0.13	---																					
1 PLACE ±	0.25	---																					
0 PLACE ±	---	---																					
MATERIAL NO. SEE TABLE	DRAWN BY CTHOMA	DATE 2005/01/13	TITLE GBX 2-PAIR LEFT END BACKPLANE ASSEMBLY LEAD-FREE SALES DRAWING	MOLEX	DOCUMENT NO. SD-75832-210																		
DRAFT WHERE APPLICABLE MUST REMAIN WITHIN DIMENSIONS	APPROVED BY J.B. INGHAM	DATE 2006/01/17	THIS DRAWING CONTAINS INFORMATION THAT IS PROPRIETARY TO MOLEX INCORPORATED AND SHOULD NOT BE USED WITHOUT WRITTEN PERMISSION	SHEET NO. 1 OF 1																			