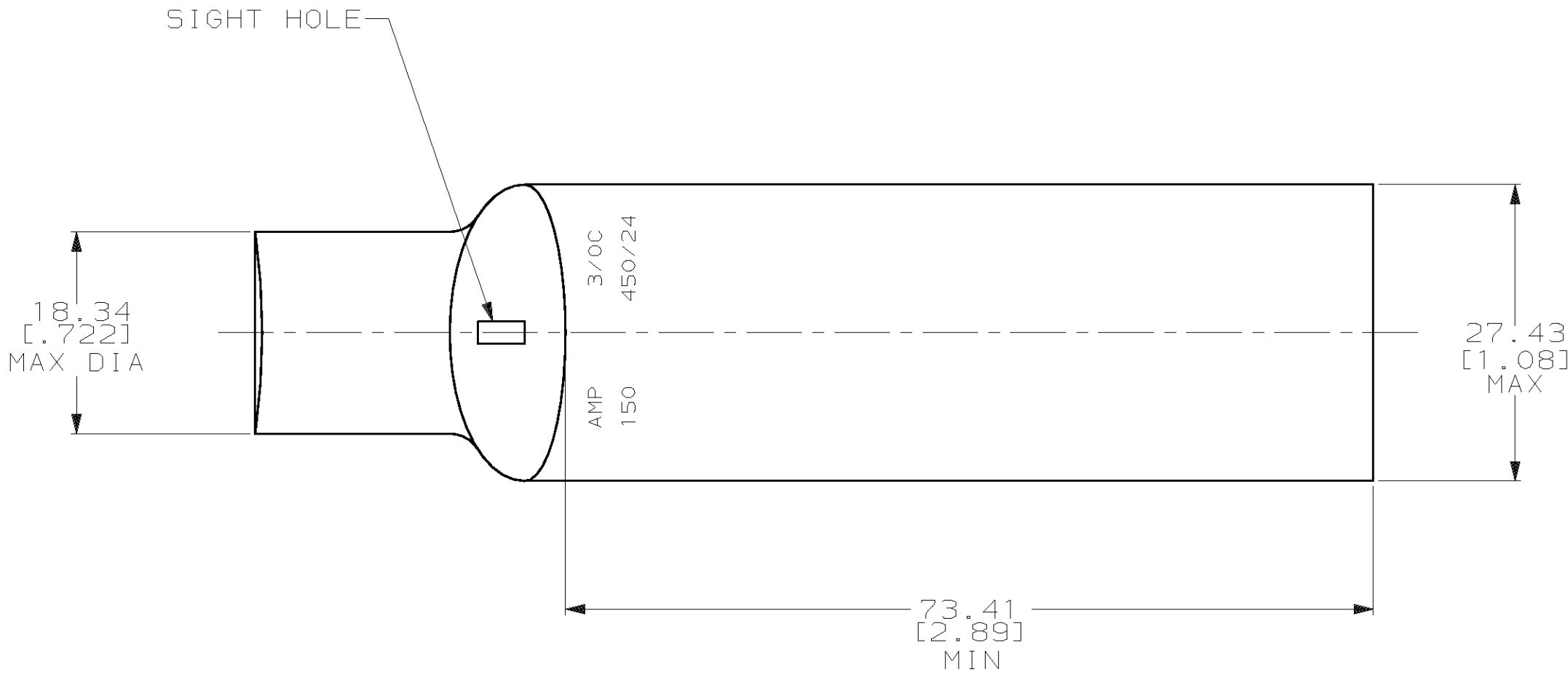
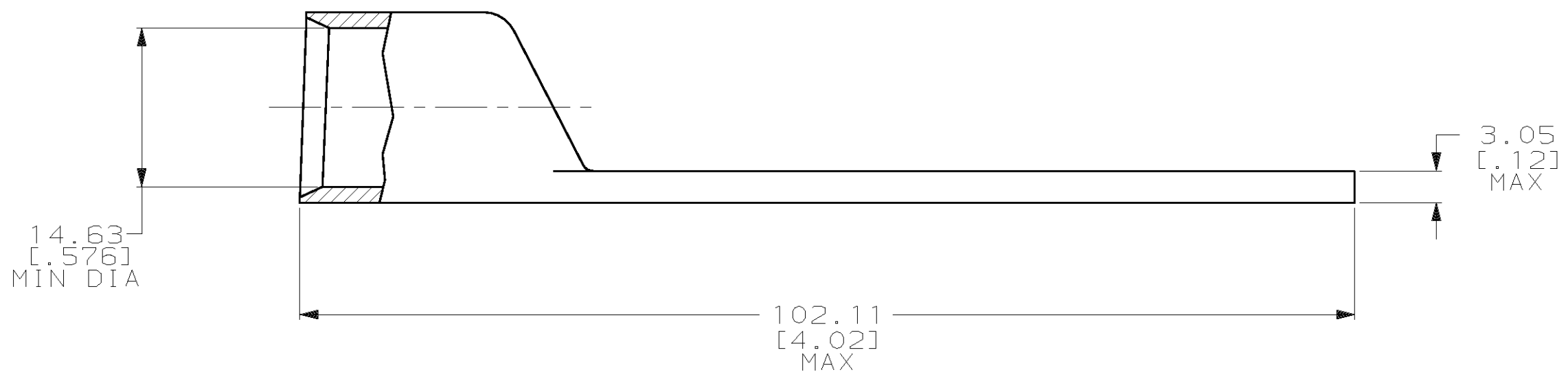


THIS DRAWING IS UNPUBLISHED. RELEASED FOR PUBLICATION
 © COPYRIGHT 19 BY AMP INCORPORATED. ALL INTERNATIONAL RIGHTS RESERVED.

LOC		DIST		P		F		ZONE		LTR		REVISIONS		DATE	APPD
G	86												DESCRIPTION	070CT02	JR/MS
												N	REV PER 063A-0561-01		



1 CIRCULAR MIL AREA RANGE: 150,500-190,000 CM
 2 TIN PL 0.00381 [.000150] THK PER MIL-T-10727



325508

B

A

325508
 PART NO

DO NOT SCALE PRINT. UNLESS SPECIFIED DIMENSIONS IN mm [INCHES] TOLERANCES ON : 2 PLC DEC ± 0.51 [.020] 3 PLC DEC ± - ANGLES ± -	DR 02/28/90 DK SCHRUM	AMP INCORPORATED Harrisburg, Pa. 17105
	CHK 18JAN95 MS FEHER	
MATERIAL ANNEALED COPPER ASTM B-75	APPD 18JAN95 WJ VOCKROTH	NAME
	APPD 18JAN95 TL SHUTTER	TERMINAL, AMPOWER, WIRE SIZE: 3/0 AWG
FINISH 2	APPLICATION SPEC -	SIZE C
	WEIGHT .141 LB	CAGE CODE 00779
		DRAWING NO 325508
		SCALE 2:1
		SHEET 1 OF 1

