

SAC-4P-M12MR/ 2,0-PUR/M12FR - Sensor/actuator cable



1504589

<https://www.phoenixcontact.com/us/products/1504589>

Please be informed that the data shown in this PDF document is generated from our online catalog. Please find the complete data in the user documentation. Our general terms of use for downloads are valid.



Sensor/actuator cable, 4-position, PUR halogen-free, black-gray RAL 7021, Plug angled M12, coding: A, on Socket angled M12, coding: A, cable length: 2 m

Commercial data

Item number	1504589
Packing unit	1 pc
Minimum order quantity	1 pc
Note	Made to order (non-returnable)
Sales key	BF03
Product key	BF1CCA
GTIN	4017918840631
Weight per piece (including packing)	73 g
Weight per piece (excluding packing)	69.9 g
Customs tariff number	85444290
Country of origin	DE

SAC-4P-M12MR/ 2,0-PUR/M12FR - Sensor/actuator cable



1504589

<https://www.phoenixcontact.com/us/products/1504589>

Technical data

Product properties

Product type	Sensor/actuator cable
Number of positions	4
No. of cable outlets	1
Shielded	no
Coding	A

Insulation characteristics

Overvoltage category	II
Degree of pollution	3

Material specifications

Flammability rating according to UL 94	HB
Seal material	NBR
Material of grip body	TPU, hardly inflammable, self-extinguishing
Contact material	CuSn
Contact surface material	Ni/Au
Contact carrier material	TPU GF
Material for screw connection	Zinc die-cast, nickel-plated
Outer sheath, material	PUR
Conductor material	Bare Cu litz wires

Electrical properties

Contact resistance	$\leq 5 \text{ m}\Omega$
Insulation resistance	$\geq 100 \text{ M}\Omega$
Nominal voltage U_N	250 V AC
	250 V DC
Nominal current I_N	4 A
Max. conductor resistance	58 Ω/km

Mechanical properties

Mechanical data

Insertion/withdrawal cycles	≥ 100
Max. bending cycles	4000000

Signaling

Status display	No
Status display present	No

Connection data

Conductor connection

SAC-4P-M12MR/ 2,0-PUR/M12FR - Sensor/actuator cable

1504589

<https://www.phoenixcontact.com/us/products/1504589>

Tightening torque	0.4 Nm
-------------------	--------

Connector

Connection 1

Type	Plug angled M12
Number of positions	4
Coding type	A
Number of positions	4


Connection 2

Type	Socket angled M12
Number of positions	4
Coding type	A
Number of positions	4

Cable/line

Cable length	2 m
--------------	-----

PUR halogen-free black [PUR]

Dimensional drawing	
Cable weight	30 kg/km
UL AWM Style	20549 / 10493 (80°C/300 V)
Number of positions	4
Shielded	no
Cable type	PUR halogen-free black [PUR]
Conductor structure signal line	42x 0.10 mm
AWG signal line	22
Conductor cross section	4x 0.34 mm ² (Signal line)
Wire diameter incl. insulation	1.27 mm ±0.02 mm
External cable diameter	4.2 mm ±0.15 mm
Outer sheath, material	PUR
External sheath, color	black-gray RAL 7021
Conductor material	Bare Cu litz wires
Material wire insulation	PP
Single wire, color	brown, white, blue, black
Thickness, insulation	≥ 0.21 mm
Thickness, outer sheath	approx. 0.5 mm

SAC-4P-M12MR/ 2,0-PUR/M12FR - Sensor/actuator cable



1504589

<https://www.phoenixcontact.com/us/products/1504589>

Overall twist	4 wires, twisted
Max. conductor resistance	≤ 58 Ω/km
Insulation resistance	≥ 1 GΩ*km
Nominal voltage, cable	≤ 300 V
Test voltage	≥ 3000 V
Minimum bending radius, fixed installation	5 x D
Minimum bending radius, flexible installation	10 x D
Max. bending cycles	10000000
Halogen-free	in accordance with DIN VDE 0472 part 815 in accordance with DIN EN 50267-2-1
Flame resistance	in accordance with UL 758/1581 FT2 DIN EN 60332-2-2 (20 s)
Resistance to oil	in accordance with DIN EN 60811-2-1
Other resistance	Highly resistant to acids, alkaline solutions and solvents hydrolysis and microbe resistant partly UV-resistant in accordance with DIN EN ISO 4892-2-A Low adhesion abrasion-resistant
Special properties	Flexible cable conduit capable Silicone-free Free of substances which would hinder coating with paint or varnish flexible
Ambient temperature (operation)	-40 °C ... 80 °C (cable, fixed installation) -25 °C ... 80 °C (Cable, flexible installation)

Environmental and real-life conditions

Ambient conditions

Degree of protection	IP65
	IP67
	IP68
Ambient temperature (operation)	-25 °C ... 90 °C (Plug / socket)
	-40 °C ... 80 °C (cable, fixed installation)
	-5 °C ... 80 °C (Cable, flexible installation)

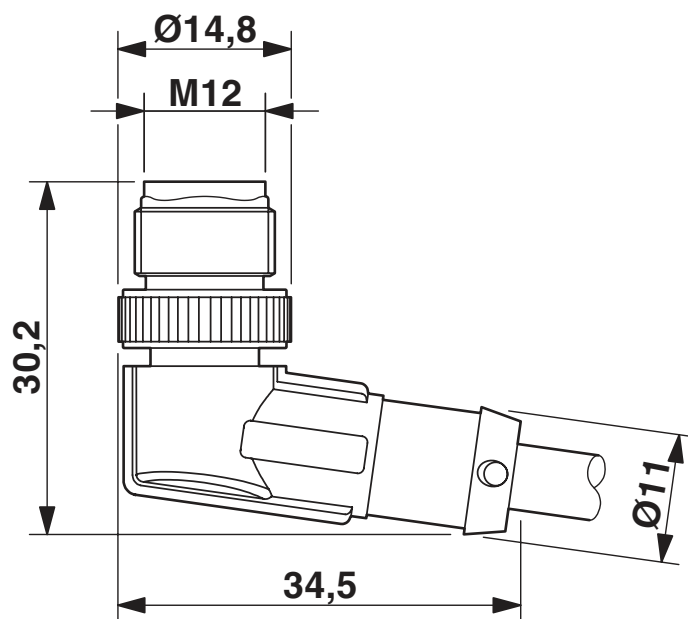
SAC-4P-M12MR/ 2,0-PUR/M12FR - Sensor/actuator cable

1504589

<https://www.phoenixcontact.com/us/products/1504589>

Drawings

Dimensional drawing



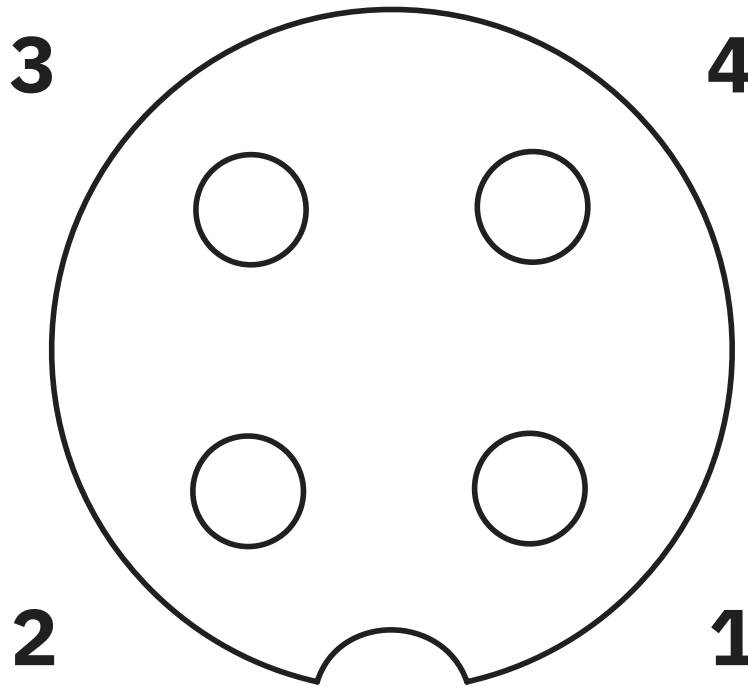
M12 x 1 male plug, angled

SAC-4P-M12MR/ 2,0-PUR/M12FR - Sensor/actuator cable

1504589

<https://www.phoenixcontact.com/us/products/1504589>

Schematic diagram



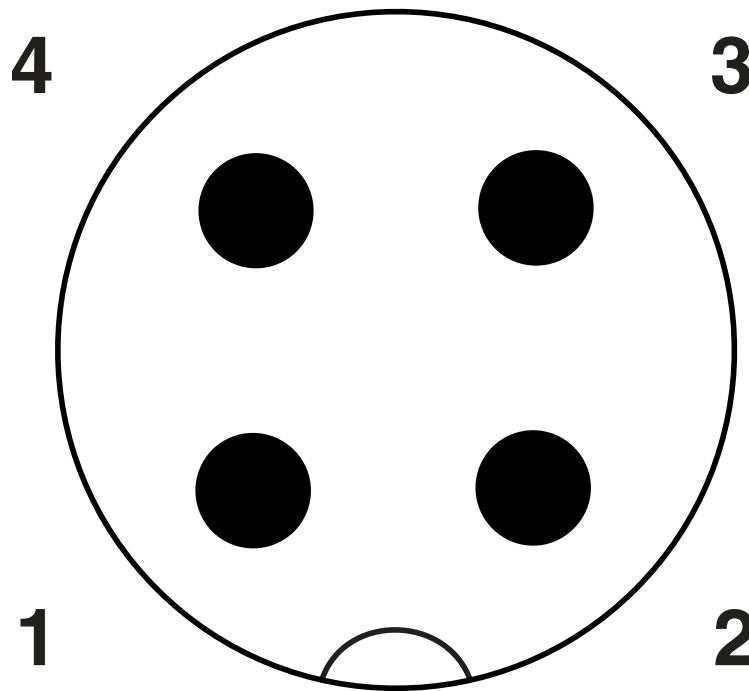
Pin assignment M12 socket, 4-pos., A-coded, view female side

SAC-4P-M12MR/ 2,0-PUR/M12FR - Sensor/actuator cable

1504589

<https://www.phoenixcontact.com/us/products/1504589>

Schematic diagram



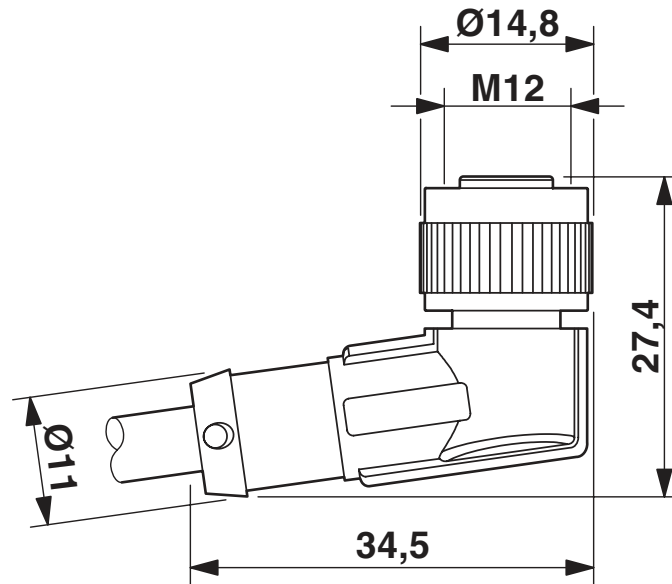
Pin assignment M12 plug, 4-pos., A-coded, view plug side

SAC-4P-M12MR/ 2,0-PUR/M12FR - Sensor/actuator cable

1504589

<https://www.phoenixcontact.com/us/products/1504589>

Dimensional drawing



M12 x 1 socket, angled

SAC-4P-M12MR/ 2,0-PUR/M12FR - Sensor/actuator cable



1504589

<https://www.phoenixcontact.com/us/products/1504589>

Approvals

To download certificates, visit the product detail page: <https://www.phoenixcontact.com/us/products/1504589>



EAC

Approval ID: RU C-DE.BL08.B.00286



UL Listed

Approval ID: FILE E 221474

	Nominal voltage U_N	Nominal current I_N	Cross section AWG	Cross section mm^2
	300 V	4 A	-	-



cUL Listed

Approval ID: FILE E 221474

	Nominal voltage U_N	Nominal current I_N	Cross section AWG	Cross section mm^2
	300 V	4 A	-	-



EAC-RoHS

Approval ID: RU D-DE.HB35.B.00387

cULus Listed

SAC-4P-M12MR/ 2,0-PUR/M12FR - Sensor/actuator cable



1504589

<https://www.phoenixcontact.com/us/products/1504589>

Classifications

ECLASS

ECLASS-11.0	27060311
ECLASS-12.0	27060311
ECLASS-13.0	27060311

ETIM

ETIM 8.0	EC001855
----------	----------

UNSPSC

UNSPSC 21.0	26121600
-------------	----------

SAC-4P-M12MR/ 2,0-PUR/M12FR - Sensor/actuator cable



1504589

<https://www.phoenixcontact.com/us/products/1504589>

Environmental product compliance

China RoHS	Environmentally friendly use period: unlimited = EFUP-e
	No hazardous substances above threshold values

Phoenix Contact 2023 © - all rights reserved
<https://www.phoenixcontact.com>

Phoenix Contact USA
586 Fulling Mill Road
Middletown, PA 17057, United States
(+717) 944-1300
info@phoenixcon.com